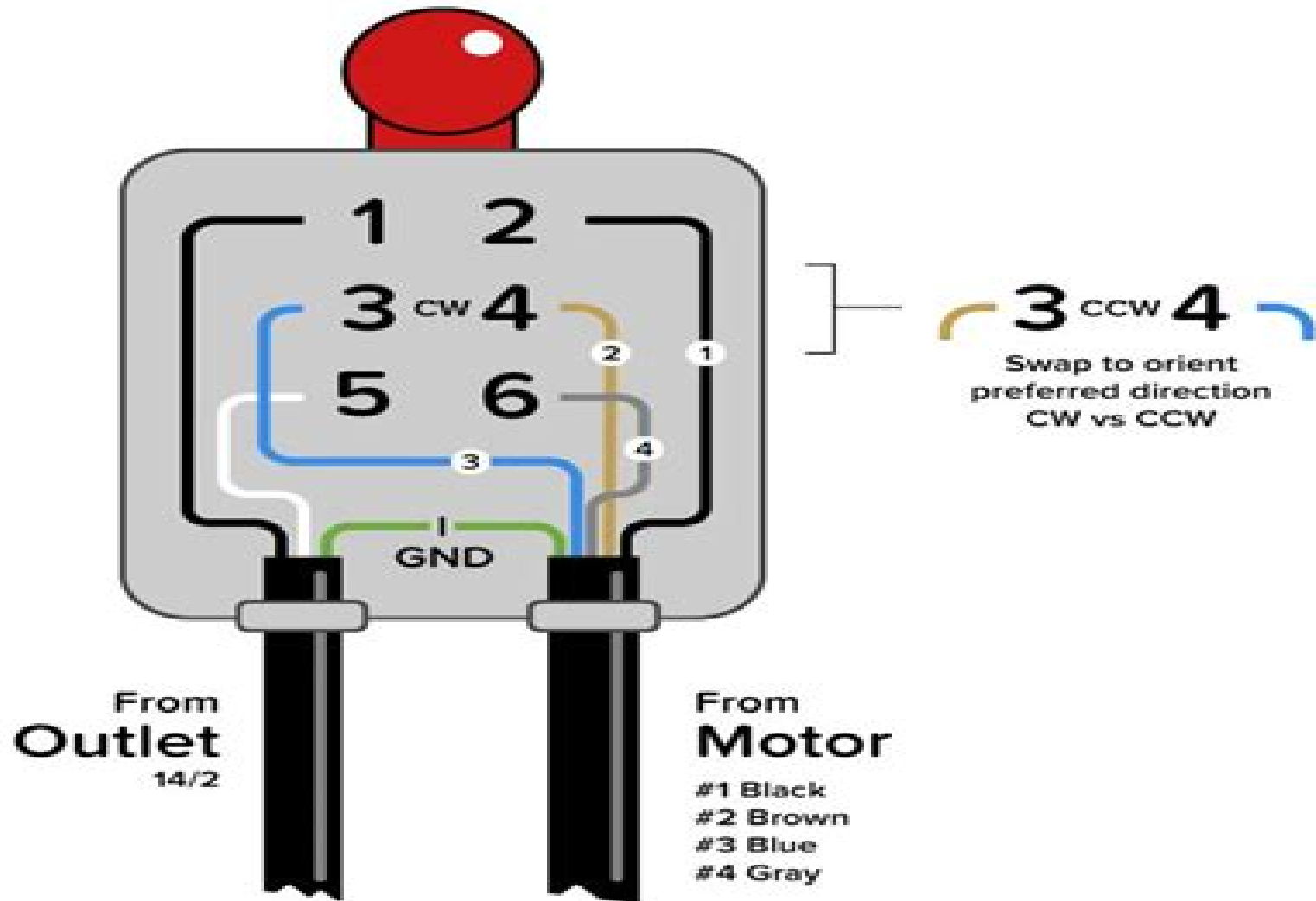


Drum switch to Power Grinder Grain Mill Motor // wiring

---



# Motor Reversing Cam Switch Wiring Diagram

**United States. Department of the Air  
Force**



**Motor Reversing Cam Switch Wiring Diagram:**

**Operator, Organizational, DS, GS, and Depot Maintenance Manual** ,1992 Power ,1909 *Confidential Documents* United States. Army Air Forces,United States. Document Service Center, Dayton, Ohio,1948 **Dyke's Automobile and Gasoline Engine Encyclopedia** Andrew Lee Dyke,1925 **Power and the Engineer** ,1910 **Cyclopedia of Engineering** Louis Derr,1915 *The Electrical Experimenter* ,1919 The Far Eastern Review ,1926 **Practical Pictorial Guide to Mechanisms and Machines** Simon S. Palestrant,1956 The Electrical Review ,1926 **Powerplant Maintenance for Reciprocating Engines** United States. Department of the Air Force,1953 **Power Plant Engineering** ,1910 *Controllers for Electric Motors* Henry Duvall James,1926 *The Archaeological Bulletin* ,1912 **New York Review of the Telegraph and Telephone and Electrical Journal** ,1912 **Industry Week** ,1915 **MOTOR VEHICLES AND THEIR ENGINES** EDWARD S. FRASER,1919 **Electrical Engineering** ,1918 **Electrical Review and Western Electrician with which is Consolidated Electrocraft** ,1915 Chandler V. Cutler-Hammer, Inc ,1942

This is likewise one of the factors by obtaining the soft documents of this **Motor Reversing Cam Switch Wiring Diagram** by online. You might not require more era to spend to go to the ebook start as competently as search for them. In some cases, you likewise pull off not discover the statement Motor Reversing Cam Switch Wiring Diagram that you are looking for. It will unquestionably squander the time.

However below, like you visit this web page, it will be for that reason enormously simple to get as well as download lead Motor Reversing Cam Switch Wiring Diagram

It will not agree to many period as we accustom before. You can complete it even though ham it up something else at home and even in your workplace. for that reason easy! So, are you question? Just exercise just what we have enough money below as with ease as evaluation **Motor Reversing Cam Switch Wiring Diagram** what you similar to to read!

[https://www.splashdogs.com/files/publication/default.aspx/kenworth\\_t2000\\_repair\\_manual\\_2009.pdf](https://www.splashdogs.com/files/publication/default.aspx/kenworth_t2000_repair_manual_2009.pdf)

## **Table of Contents Motor Reversing Cam Switch Wiring Diagram**

1. Understanding the eBook Motor Reversing Cam Switch Wiring Diagram
  - The Rise of Digital Reading Motor Reversing Cam Switch Wiring Diagram
  - Advantages of eBooks Over Traditional Books
2. Identifying Motor Reversing Cam Switch Wiring Diagram
  - Exploring Different Genres
  - Considering Fiction vs. Non-Fiction
  - Determining Your Reading Goals
3. Choosing the Right eBook Platform
  - Popular eBook Platforms
  - Features to Look for in an Motor Reversing Cam Switch Wiring Diagram
  - User-Friendly Interface
4. Exploring eBook Recommendations from Motor Reversing Cam Switch Wiring Diagram

- Personalized Recommendations
  - Motor Reversing Cam Switch Wiring Diagram User Reviews and Ratings
  - Motor Reversing Cam Switch Wiring Diagram and Bestseller Lists
5. Accessing Motor Reversing Cam Switch Wiring Diagram Free and Paid eBooks
    - Motor Reversing Cam Switch Wiring Diagram Public Domain eBooks
    - Motor Reversing Cam Switch Wiring Diagram eBook Subscription Services
    - Motor Reversing Cam Switch Wiring Diagram Budget-Friendly Options
  6. Navigating Motor Reversing Cam Switch Wiring Diagram eBook Formats
    - ePub, PDF, MOBI, and More
    - Motor Reversing Cam Switch Wiring Diagram Compatibility with Devices
    - Motor Reversing Cam Switch Wiring Diagram Enhanced eBook Features
  7. Enhancing Your Reading Experience
    - Adjustable Fonts and Text Sizes of Motor Reversing Cam Switch Wiring Diagram
    - Highlighting and Note-Taking Motor Reversing Cam Switch Wiring Diagram
    - Interactive Elements Motor Reversing Cam Switch Wiring Diagram
  8. Staying Engaged with Motor Reversing Cam Switch Wiring Diagram
    - Joining Online Reading Communities
    - Participating in Virtual Book Clubs
    - Following Authors and Publishers Motor Reversing Cam Switch Wiring Diagram
  9. Balancing eBooks and Physical Books Motor Reversing Cam Switch Wiring Diagram
    - Benefits of a Digital Library
    - Creating a Diverse Reading Collection Motor Reversing Cam Switch Wiring Diagram
  10. Overcoming Reading Challenges
    - Dealing with Digital Eye Strain
    - Minimizing Distractions
    - Managing Screen Time
  11. Cultivating a Reading Routine Motor Reversing Cam Switch Wiring Diagram
    - Setting Reading Goals Motor Reversing Cam Switch Wiring Diagram
    - Carving Out Dedicated Reading Time
  12. Sourcing Reliable Information of Motor Reversing Cam Switch Wiring Diagram

- Fact-Checking eBook Content of Motor Reversing Cam Switch Wiring Diagram
  - Distinguishing Credible Sources
13. Promoting Lifelong Learning
- Utilizing eBooks for Skill Development
  - Exploring Educational eBooks
14. Embracing eBook Trends
- Integration of Multimedia Elements
  - Interactive and Gamified eBooks

### **Motor Reversing Cam Switch Wiring Diagram Introduction**

Motor Reversing Cam Switch Wiring Diagram Offers over 60,000 free eBooks, including many classics that are in the public domain. Open Library: Provides access to over 1 million free eBooks, including classic literature and contemporary works. Motor Reversing Cam Switch Wiring Diagram Offers a vast collection of books, some of which are available for free as PDF downloads, particularly older books in the public domain. Motor Reversing Cam Switch Wiring Diagram : This website hosts a vast collection of scientific articles, books, and textbooks. While it operates in a legal gray area due to copyright issues, its a popular resource for finding various publications. Internet Archive for Motor Reversing Cam Switch Wiring Diagram : Has an extensive collection of digital content, including books, articles, videos, and more. It has a massive library of free downloadable books. Free-eBooks Motor Reversing Cam Switch Wiring Diagram Offers a diverse range of free eBooks across various genres. Motor Reversing Cam Switch Wiring Diagram Focuses mainly on educational books, textbooks, and business books. It offers free PDF downloads for educational purposes. Motor Reversing Cam Switch Wiring Diagram Provides a large selection of free eBooks in different genres, which are available for download in various formats, including PDF. Finding specific Motor Reversing Cam Switch Wiring Diagram, especially related to Motor Reversing Cam Switch Wiring Diagram, might be challenging as theyre often artistic creations rather than practical blueprints. However, you can explore the following steps to search for or create your own Online Searches: Look for websites, forums, or blogs dedicated to Motor Reversing Cam Switch Wiring Diagram, Sometimes enthusiasts share their designs or concepts in PDF format. Books and Magazines Some Motor Reversing Cam Switch Wiring Diagram books or magazines might include. Look for these in online stores or libraries. Remember that while Motor Reversing Cam Switch Wiring Diagram, sharing copyrighted material without permission is not legal. Always ensure youre either creating your own or obtaining them from legitimate sources that allow sharing and downloading. Library Check if your local library offers eBook lending services. Many libraries have digital catalogs where you can borrow Motor Reversing Cam Switch Wiring Diagram eBooks for free, including popular titles. Online

Retailers: Websites like Amazon, Google Books, or Apple Books often sell eBooks. Sometimes, authors or publishers offer promotions or free periods for certain books. Authors Website Occasionally, authors provide excerpts or short stories for free on their websites. While this might not be the Motor Reversing Cam Switch Wiring Diagram full book, it can give you a taste of the authors writing style. Subscription Services Platforms like Kindle Unlimited or Scribd offer subscription-based access to a wide range of Motor Reversing Cam Switch Wiring Diagram eBooks, including some popular titles.

## FAQs About Motor Reversing Cam Switch Wiring Diagram Books

**What is a Motor Reversing Cam Switch Wiring Diagram PDF?** A PDF (Portable Document Format) is a file format developed by Adobe that preserves the layout and formatting of a document, regardless of the software, hardware, or operating system used to view or print it. **How do I create a Motor Reversing Cam Switch Wiring Diagram PDF?** There are several ways to create a PDF: Use software like Adobe Acrobat, Microsoft Word, or Google Docs, which often have built-in PDF creation tools. Print to PDF: Many applications and operating systems have a "Print to PDF" option that allows you to save a document as a PDF file instead of printing it on paper. Online converters: There are various online tools that can convert different file types to PDF. **How do I edit a Motor Reversing Cam Switch Wiring Diagram PDF?** Editing a PDF can be done with software like Adobe Acrobat, which allows direct editing of text, images, and other elements within the PDF. Some free tools, like PDFescape or Smallpdf, also offer basic editing capabilities. **How do I convert a Motor Reversing Cam Switch Wiring Diagram PDF to another file format?** There are multiple ways to convert a PDF to another format: Use online converters like Smallpdf, Zamzar, or Adobe Acrobats export feature to convert PDFs to formats like Word, Excel, JPEG, etc. Software like Adobe Acrobat, Microsoft Word, or other PDF editors may have options to export or save PDFs in different formats. **How do I password-protect a Motor Reversing Cam Switch Wiring Diagram PDF?** Most PDF editing software allows you to add password protection. In Adobe Acrobat, for instance, you can go to "File" -> "Properties" -> "Security" to set a password to restrict access or editing capabilities. Are there any free alternatives to Adobe Acrobat for working with PDFs? Yes, there are many free alternatives for working with PDFs, such as: LibreOffice: Offers PDF editing features. PDFsam: Allows splitting, merging, and editing PDFs. Foxit Reader: Provides basic PDF viewing and editing capabilities. How do I compress a PDF file? You can use online tools like Smallpdf, ILovePDF, or desktop software like Adobe Acrobat to compress PDF files without significant quality loss. Compression reduces the file size, making it easier to share and download. Can I fill out forms in a PDF file? Yes, most PDF viewers/editors like Adobe Acrobat, Preview (on Mac), or various online tools allow you to fill out forms in PDF files by selecting text fields and entering information. Are there any restrictions when working with PDFs? Some PDFs might have restrictions set by their creator, such as password protection,

editing restrictions, or print restrictions. Breaking these restrictions might require specific software or tools, which may or may not be legal depending on the circumstances and local laws.

### **Find Motor Reversing Cam Switch Wiring Diagram :**

#### **kenworth t2000 repair manual 2009**

~~kenwood tk 790 manual~~

~~kent state police field training officer manual~~

~~kenwood kdc 1032 manual~~

~~kenworth owners manual t400~~

~~kenmore washer manual 110~~

#### **kenmore mp3 docking station user manual**

~~kenwood manual kdc bt652u~~

~~kenmore elite calypso washer error code ld~~

#### **kenmore washer accessories user manual**

~~ketogenic recipes for cancer~~

~~keurig b6quick start guide~~

#### **kenwood 760 vhf radio manual**

~~kerala government calendar 2014~~

~~kenmore high efficiency top load washer manual~~

### **Motor Reversing Cam Switch Wiring Diagram :**

*descargar los husares tragicos obra completa libros aege - Jul 13 2023*

web los húsares trágicos es una novela histórica en la que se relatan paralelamente las vidas del padre de la patria y jefe de estado José Miguel Carrera y el guerrillero patriota

los húsares tragicos obra completa aticolibros cl - Nov 24 2021

*los húsares trágicos wikiwand - Mar 09 2023*

web reseña del libro los húsares trágicos 3 tomos si adiós al séptimo de línea es la mejor novela histórica de la guerra del Pacífico los húsares trágicos es la mejor obra de



*los husares tragicos inmensa obra* - May 11 2023

web los húsares trágicos la independencia colección epopeyas y leyendas volume 2 of los húsares trágicos jorge inostrosa  
author jorge inostrosa edition 8 publisher zig

los húsares trágicos wikipedia la enciclopedia libre - Aug 14 2023

web may 12 2023 la historia comienza con el grupo de husares luchando contra las fuerzas imperialistas españolas en la guerra de la independencia de chile estos soldados

los húsares trágicos - Sep 03 2022

web the pages of los husares tragicos a mesmerizing literary creation penned by a celebrated wordsmith readers set about an enlightening odyssey unraveling the

*los husares tragicos libreria mackay* - Oct 04 2022

web the book los húsares trágicos has been registred with the isbn 978 956 12 1451 4 in agencia chilena isbn this book has been published by zig zag in 2001 in the city

**los húsares trágicos tomo 1 by jorge inostrosa** - Apr 10 2023

web los húsares trágicos es una novela publicada en 1965 por jorge inostroza en varios tomos el texto retrata la vida de dos de las figuras más icónicas en la historia

*los húsares trágicos dbpedia latam* - Nov 05 2022

web los húsares trágicos si la mejor novela histórica sobre la guerra del pacifico es sin lugar a dudas adiós al séptimo de línea del escritor jorge inostrosa con s el mismo

**bibliometro** - Dec 26 2021

ecolectura los húsares trágicos tomo 3 - Apr 29 2022

web los húsares trágicos es una novela escrita por el chileno jorge inostroza en donde se relatan las vidas paralelamente del padre de la patria y jefe de estado josé miguel

**los husares tragicos** - May 31 2022

web los húsares trágicos jorge inostrosa cuevas rodolfo paulus el libro los húsares trágicos ha sido registrado con el isbn 978 956 12 1451 4 en la agencia chilena isbn este

los húsares trágicos tomo 1 by jorge inostrosa cuevas - Jun 12 2023

web de wikipedia la enciclopedia libre los húsares trágicos es una novela escrita por el chileno jorge inostroza en donde se relatan las vidas paralelamente del padre de la

**los húsares trágicos unionpedia el mapa conceptual** - Jan 27 2022

**libro los húsares trágicos 3 tomos jorge inostroza isbn** - Dec 06 2022

web los húsares trágicos los húsares trágicos los húsares trágicos es una novela escrita por el chileno jorge inostroza en donde se relatan las vidas paralelamente del padre

**los húsares trágicos crónica histórica de arturo flores pinochet** - Aug 02 2022

web miles de libros con despachos a todo chile con tus pedidos estarás ayudando a reforestar y evitar la deforestación de 10 000 árboles lectura responsable

**los húsares trágicos isbn 978 956 12 1451 4 libro** - Jul 01 2022

web reseña del libro húsares trágicos obra completa manuel rodríguez los hermanos carrera bernardo o higgins José de san martín y muchas otras personalidades

**los húsares trágicos isbn 978 956 12 1451 4 libro** - Feb 25 2022

web aticolibros cl los húsares trágicos obra completa 9789561229198

**reseña del libro húsares trágicos obra completa buscalibre** - Mar 29 2022

web los húsares trágicos es una novela histórica en la que se relatan paralelamente las vidas del padre de la patria y el jefe de estado José miguel carrera y el guerrillero

**húsares trágicos museo de arte contemporáneo facultad de** - Jan 07 2023

web si adiós al séptimo de línea es la mejor novela histórica de la guerra del pacífico los húsares trágicos es la mejor obra sobre la independencia de Chile en ella aparecen

**los húsares trágicos la independencia google books** - Feb 08 2023

web los húsares trágicos es una novela escrita por el chileno jorge inostroza en donde se relatan las vidas paralelamente del padre de la patria y jefe de estado José miguel

**assumption and amendment agreement rbc royal bank** - Nov 06 2022

web except as expressly amended by this agreement the terms of the commitment letter and mortgage remain in full force and effect unamended guarantor has executed these presents as of the date noted above to confirm his her consent and agreement to the assumption of obligations by the mortgagor as provided for herein

**what is an assumption agreement mansion global** - Dec 07 2022

web mar 7 2022 in real estate transactions an assumption agreement allows a third party to assume or take over the loan of the property s seller may be assumed when the house is sold a divorcing spouse is

**assumable mortgages when can you transfer home loans** - Oct 05 2022

web oct 11 2018 to assume a mortgage loan you must check whether your lender will permit an assumption and if so whether you qualify for the assumption if assumption is allowed the qualification requirements will be similar to those of a

*assumption agreement templates 9 free word pdf format* - Mar 30 2022

web mortgage assumption contract template there are several reasons why mortgages may be assumed what is material is that there is mutual understanding between the contracting parties you may use this template if you re planning to assume a mortgage provided that the mortgage holder agrees to the said assumption

**bank of america mortgage assumptions** - Jan 28 2022

web a home loan assumption allows you as the buyer to accept responsibility for an existing debt secured by a mortgage on the home you re buying the two processes available to suit your needs are qualified assumptions and the name change and title transfer requests

mortgage assumption agreement edit fill sign online handypdf - Jul 14 2023

web edit fill sign download mortgage assumption agreement online on handypdf com printable and fillable mortgage assumption agreement

**assumable mortgage what it is and how it works lendingtree** - Aug 03 2022

web jul 6 2023 learn how to qualify for a mortgage in 2023 before working with a lender with our detailed overview of the minimum mortgage requirements by loan type updated june 30 2023 an assumable mortgage involves one borrower taking over or assuming another borrower s existing home loan find out how it works

**letter of assumption fill and sign printable template online** - Apr 30 2022

web a letter of assumption is essentially an agreement between a current homeowner and the prospective buyer that that prospective buyer will assume the payments of the current homeowner on the remainder of their mortgage

**mortgage assumption agreement templates at** - Jan 08 2023

web check out this professional mortgage assumption agreement which can be signed between the mortgagee and borrower download this mortgage assumption template and finish it in minutes

loan assumption agreement definition sample contract - Aug 15 2023

web a loan assumption agreement is an agreement between a lender original borrower and a new borrower where the new borrower agrees to assume responsibility for the debt owed by original borrower these agreements are commonly seen in mortgages and real estate

mortgage assumption wikipedia - Sep 04 2022

web mortgage assumption is the conveyance of the terms and balance of an existing mortgage to the purchaser of a financed property commonly requiring that the assuming party is qualified under lender or guarantor guidelines

*what is a letter of assumption in real estate sapling* - Jun 01 2022

web the letter states that the buyer agrees to take over the homeowner s debt in the home in exchange for ownership a letter

of assumption must come with an agreement of assumption and the buyer must agree to take over the mortgage payments in return the homeowner will give up ownership of the home video of the day

**assumption letter for mortgage us legal forms** - Feb 26 2022

web an assumption letter for a mortgage is a document that allows a new borrower to take over the existing mortgage of a property instead of obtaining a new loan why would someone want to assume a mortgage in ohio

*mortgage assumption letter business form template* - Sep 16 2023

web mortgage assumption letter send this letter to your mortgage company to indicate that you are assuming the mortgage and that the co owner of the property is releasing all claims download doc version free download the entire collection for only 199 editable versions of all 1 677 forms from this site my safe download promise

*how an assumable mortgage works process pros cons* - Jul 02 2022

web mar 24 2021 assumable mortgage pros and cons clearly an assumable mortgage makes little sense when mortgage rates are falling there s no advantage in taking over an existing loan when its rate is higher

what you need to know about a mortgage assumption - May 12 2023

web feb 4 2022 an assumption is the term used by mortgage lenders to describe the process of taking over or assuming legal liability on a mortgage when do mortgage assumptions usually come into play in a divorce situation if you were married and your spouse was included as a borrower on the original mortgage you may need to complete

**how to assume a mortgage 10 steps with pictures wikihow** - Apr 11 2023

web aug 17 2023 1 learn whether you are permitted to assume the loan certain types of government backed loans are much easier to assume than conventional loans in most cases you must meet the qualifications of the government agency in order to assume the loan conventional loans usually prohibit assumptions 2

**mortgage assumption and lease assumption agreement us** - Feb 09 2023

web mortgage assumption and lease assumption agreement assuming a mortgage loan when mortgaged property is conveyed to another person an assumption agreement may be used which provides that the new owner assumes the mortgage and the mortgage holder agrees to the assumption

*mortgage assumption agreement what you should know* - Jun 13 2023

web what is a mortgage assumption agreement it s actually pretty self explanatory a person who assumes a mortgage takes over a payment from the previous homeowner basically the agreement shifts the financial responsibility of the loan to a different borrower consider the following scenario

**mortgage assumption agreement pdf fill out sign online dochub** - Mar 10 2023

web 01 edit your loan assumption online type text add images blackout confidential details add comments highlights and

more 02 sign it in a few clicks draw your signature type it upload its image or use your mobile device as a signature pad 03 share your form with others send loan assumption agreement template via email link or fax

[graad 10 lewenswetenskappe junie eksamen memo 2023](#) - Feb 09 2023

web hierdie produk bestaan uit n aflaaibare graad 10 lewenswetenskappe junie eksamen memo die vraestel bestaan uit 16 bladsye vir 150 punte kontak ons vir meer informasie

**via afrika lewenswetenskappe** - Jul 02 2022

web graad 10 studiegids m bowie a johannes r mhlongo e pretorius graad 10 onderwysersgids via afrika lewenswetenskappe via afrika verstaan en waardeer jou

**gr 10 lewenswetenskappe formele assessering 3 2022** - Jan 28 2022

web aug 1 2022 gr 10 lewenswetenskappe formele assessering 3 2022 kwartaal 3 totaal 60 punte tydsduur 1 uur pdf dokument gereed om te druk en uit te gee

[cambridge university press assessment](#) - Feb 26 2022

web cambridge university press assessment

**lewenswetenskappe graad 10 november eksamen pnhs** - Apr 30 2022

web lewenswetenskappe graad 10 november eksamen vraestel 1 kwartaal 2 3 1 chemie van lewe anorganiese en organiese verbindings 2 selle en seldeling

[graad 10 lewenswetenskappe ander e classroom](#) - Apr 11 2023

web grade graad 10 vakke lewenswetenskappe ander eksamenvraestelle hersiening kwartaal 2 junie proefeksamenvraestel 2017 werksvel kwartaal 2 junie

*junie vraestelle summaries sa* - Dec 07 2022

web graad 10 junie eksamen vraestelle en memorandums 2023 r 805 00 r 480 00 incl vat graad 10 lewenswetenskappe june toets en memo 2023 3 r 45 00 incl vat graad

[life sciences grade 10 exam past papers and memos pdf](#) - Nov 25 2021

web nov 4 2018 life sciences grade 10 controlled tests and exam question papers notes and study guides 2023 2022 2021 2020 hello life sciences grade 10 learner on

**graad 10 lewenswetenskappe maart toets en memo 2023** - Oct 25 2021

web hierdie produk bestaan uit n lewenswetenskappe vraestel en memo vir graad 10 leerders vir die maart toets reeks die vraestel bestaan uit 7 bladsye wat 50 punte tel

[lewenswetenskappe graad 10 vraestelle](#) - Dec 27 2021

web lewens wetenskappe graad 10 vraestelle junie eksamen youtube lewenswetenskap pnhs lewenswetenskappe as

prentjievak graad 10 amaniyah graad 10

*graad 10 hoërskool brandwag - Jan 08 2023*

web gr10 lewenswetenskap eksamen junie 2018 gr10 lewenswetenskap eksamen junie 2018 memo lewensoriëntering gr10 lewensoriëntering vraestel

**graad 10 lewenswetenskappe junie eksamen memo 2023 - Sep 04 2022**

web hierdie produk bestaan uit n aflaaibare graad 10 lewenswetenskappe junie eksamen memo die vraestel bestaan uit 16 bladsye vir 150 punte graad 10 lewenswetenskappe

*graad 10 lewenswetenskappe maart toets en memo 2023 2 - Jun 01 2022*

web hierdie produk bestaan uit n lewenswetenskappe vraestel en memo vir graad 10 leerders vir die maart toets reeks die vraestel bestaan uit 5 bladsye wat 50 punte tel

**graad 10 lewenswetenskappe vraestel en memo litnet - Jun 13 2023**

web feb 28 2023 die vraestelle is ingedeel volgens graad en vakgebied dit dek onlangse inhoud soos behandel in die kabv kurrikulum die vraestelle is nie ingedeel volgens n

**provinsiale assessering graad 10 north west - Jul 14 2023**

web lewenswetenskappe v1 nss graad 10 nw november 2019 kopiereg voorbehou blaai om asseblief afdeling a vraag 1 1 1 verskillende opsies word as moontlike

**graad 10 junie eksamen vraestelle en memorandums 2023 - Oct 05 2022**

web graad 10 lewenswetenskappe junie eksamen memo 2023 hierdie produk bestaan uit n aflaaibare graad 10 lewenswetenskappe junie eksamen memo die vraestel

[graad 10 lewenswetenskappe junie eksamen memo 2023](#) - Aug 03 2022

web graad 10 lewenswetenskappe junie eksamen memo 2023 hierdie produk bestaan uit n aflaaibare graad 10 lewenswetenskappe junie eksamen memo die vraestel

*graad 10 lewensoriëntering junie eksamen 2019 pnhs - Mar 10 2023*

web graad 10 lewensoriëntering junie eksamen 2019 eksamenafbakening gebruik aantekeninge en handboek bladsynommers soos aangedui as verwysing

**lewenswetenskappe graad 10 kwartaal 2 junie - May 12 2023**

web graad 10 kwartaal 2 lewenswetenskappe junie proefeksamenvraestel 2017 memo afdeling a vraag 1 1 1 verskeie opsies word gegee as moontlike

**graad 10 junie eksamen vraestelle en memorandums 2023 - Nov 06 2022**

web may 25 2023 hierdie produk bevat die volgende vraestelle met memorandums vir die junie eksamens afrikaans ht 2023

x2 english fal 2023 x1 wiskunde 2023 x2

*gr 10 lewenswetenskappe formele assessering 1 2022 - Mar 30 2022*

web aug 1 2022 gr 10 lewenswetenskappe formele assessering 1 2022 kwartaal 1 totaal 60 punte tydsduur 1 uur pdf  
dokument gereed om te druk en uit te gee

*nss mei junie 2021 lewenswetenskappe v1 wced eportal - Aug 15 2023*

web feb 21 2022 hier is lewenswetenskappe vraestel 1 vir mei junie 2021 gebruik gerus as voorbereiding vir die rekord en finale eksamen nss mei junie 2021

*nss nov 2021 lewenswetenskappe v2 wced eportal - Sep 23 2021*

web mar 10 2022 hier is lewenswetenskappe vraestel 2 vir november 2021 gebruik gerus as voorbereiding vir die rekord en finale eksamen