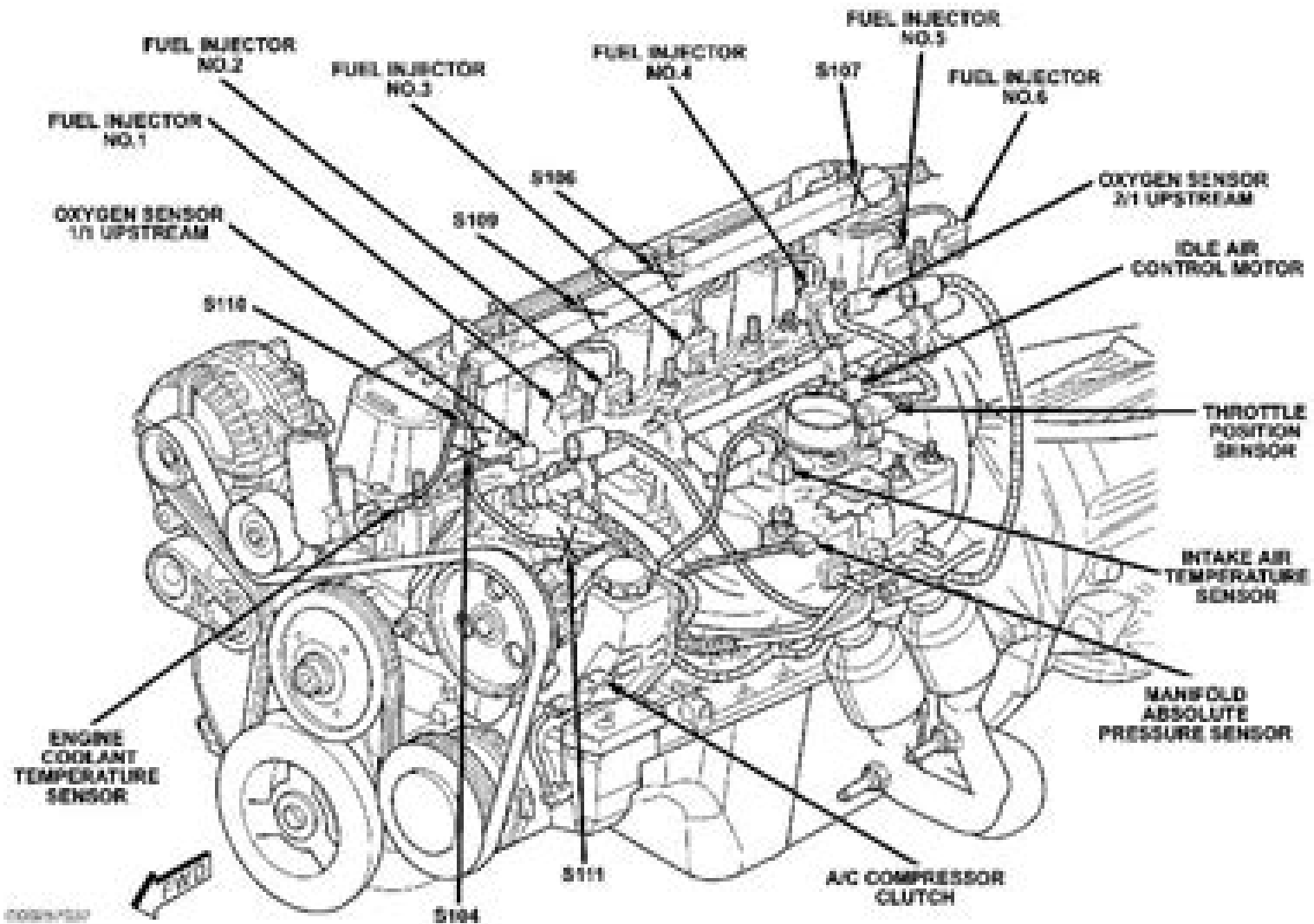




2004 Jeep Grand Cherokee Laredo
Fig. 4: Left Side Of Engine (4.0L)
Courtesy of DAIMLERCHRYSLER CORP.



Jeep Liberty 3 71 2 8l Crd Full Service Repair Manual 2004 2007

Bob Henderson, John Harold Haynes

Jeep Liberty 3 71 2 81 Crd Full Service Repair Manual 2004 2007:

Chilton's Jeep Liberty 2002-2004 Repair Manual Len Taylor, Tim Imhoff, 2004 The Chilton Total Car Care series continues to lead all other do it yourself automotive repair manuals These manuals offer do it yourselfers of all levels TOTAL maintenance service and repair information in an easy to use format Covers Jeep Liberty **Jeep Liberty 2002 thru 2012** Editors of Haynes Manuals, 2014-08-15 With a Haynes manual you can do it yourself from simple maintenance to basic repairs Haynes writes every book based on a complete teardown of the vehicle We learn the best ways to do a job and that makes it quicker easier and cheaper for you Our books have clear instructions and hundreds of photographs that show each step Whether you re a beginner or a pro you can save big with Haynes Step by step procedures Easy to follow photos Complete troubleshooting section Valuable short cuts Color spark plug diagnosis Complete coverage for your Jeep Liberty covering all models 2002 thru 2012 does not include information specific to diesel models Routine Maintenance Tune up procedures Engine repair Cooling and heating Air Conditioning Fuel and exhaust Emissions control Ignition Brakes Suspension and steering Electrical systems Wiring diagrams **Jeep Liberty & Dodge Nitro from 2002-2012 Haynes Repair Manual** Editors of Haynes Manuals, 2020-02-25 With a Haynes manual you can do it yourself from simple maintenance to basic repairs Haynes writes every book based on a complete teardown of the vehicle where we learn the best ways to do a job and that makes it quicker easier and cheaper for you Haynes books have clear instructions and hundreds of photographs that show each step Whether you are a beginner or a pro you can save big with a Haynes manual This manual features complete coverage for your XXXXXX covering Routine maintenance Tune up procedures Engine repair Cooling and heating Air conditioning Fuel and exhaust Emissions control Ignition Brakes Suspension and steering Electrical systems and Wring diagrams This manual does not include information specific to diesel models **Chilton's Jeep Liberty/Dodge Nitro 2002-2012 Repair Manual** Len Taylor (Author of Jeep Liberty automotive repair manual), Tim Imhoff, 2018 *Jeep Liberty Automotive Repair Manual* Len Taylor, Tim Imhoff, John Harold Haynes, 2004-01 Haynes offers the best coverage for cars trucks vans SUVs and motorcycles on the market today Each manual contains easy to follow step by step instructions linked to hundreds of photographs and illustrations Included in every manual troubleshooting section to help identify specific problems tips that give valuable short cuts to make the job easier and eliminate the need for special tools notes cautions and warnings for the home mechanic color spark plug diagnosis and an easy to use index This repair and service manual covers Jeep Liberty All models from 2002 thru 2004 **Jeep Liberty** Len Taylor, Tim Imhoff, 2010 All models [Jeep Liberty Automotive Repair Manual](#) Len Taylor, Tim Imhoff, John Harold Haynes, 2004 [Jeep Liberty 2002 thru 2007](#), 2006-04-21 Haynes offers the best coverage for cars trucks vans SUVs and motorcycles on the market today Each manual contains easy to follow step by step instructions linked to hundreds of photographs and illustrations Included in every manual troubleshooting section to help identify specific problems tips that give valuable short cuts to make the job easier and

eliminate the need for special tools notes cautions and warnings for the home mechanic color spark plug diagnosis and an easy to use index **Jeep Liberty Automotive Repair Manual** Chilton,2015-12 **Jeep Liberty & Dodge Nitro from 2002-2012 Haynes Repair Manual** Editors of Haynes Manuals,2020-02-25 With a Haynes manual you can do it yourself from simple maintenance to basic repairs Haynes writes every book based on a complete teardown of the vehicle where we learn the best ways to do a job and that makes it quicker easier and cheaper for you Haynes books have clear instructions and hundreds of photographs that show each step Whether you are a beginner or a pro you can save big with a Haynes manual This manual features complete coverage for your XXXXXX covering Routine maintenance Tune up procedures Engine repair Cooling and heating Air conditioning Fuel and exhaust Emissions control Ignition Brakes Suspension and steering Electrical systems and Wiring diagrams This manual does not include information specific to diesel models Jeep Cherokee & Comanche Bob Henderson,John Harold Haynes,1997-01-01 Jeep Cherokee 1984 97 Shop ManualHaynes Sftbd 8 1 2x 10 3 4 332 pgs 796 b w ill **2004 Service Manual Liberty** DaimlerChrysler,2003

If you ally infatuation such a referred **Jeep Liberty 3 7l 2 8l Crd Full Service Repair Manual 2004 2007** book that will present you worth, acquire the definitely best seller from us currently from several preferred authors. If you want to entertaining books, lots of novels, tale, jokes, and more fictions collections are then launched, from best seller to one of the most current released.

You may not be perplexed to enjoy all books collections Jeep Liberty 3 7l 2 8l Crd Full Service Repair Manual 2004 2007 that we will unconditionally offer. It is not roughly speaking the costs. Its nearly what you need currently. This Jeep Liberty 3 7l 2 8l Crd Full Service Repair Manual 2004 2007, as one of the most practicing sellers here will very be in the course of the best options to review.

https://www.splashdogs.com/data/uploaded-files/Documents/Manual_For_Pontiac_Bonneville_92.pdf

Table of Contents Jeep Liberty 3 7l 2 8l Crd Full Service Repair Manual 2004 2007

1. Understanding the eBook Jeep Liberty 3 7l 2 8l Crd Full Service Repair Manual 2004 2007
 - The Rise of Digital Reading Jeep Liberty 3 7l 2 8l Crd Full Service Repair Manual 2004 2007
 - Advantages of eBooks Over Traditional Books
2. Identifying Jeep Liberty 3 7l 2 8l Crd Full Service Repair Manual 2004 2007
 - Exploring Different Genres
 - Considering Fiction vs. Non-Fiction
 - Determining Your Reading Goals
3. Choosing the Right eBook Platform
 - Popular eBook Platforms
 - Features to Look for in an Jeep Liberty 3 7l 2 8l Crd Full Service Repair Manual 2004 2007
 - User-Friendly Interface
4. Exploring eBook Recommendations from Jeep Liberty 3 7l 2 8l Crd Full Service Repair Manual 2004 2007
 - Personalized Recommendations
 - Jeep Liberty 3 7l 2 8l Crd Full Service Repair Manual 2004 2007 User Reviews and Ratings

- Jeep Liberty 3 7l 2 8l Crd Full Service Repair Manual 2004 2007 and Bestseller Lists
- 5. Accessing Jeep Liberty 3 7l 2 8l Crd Full Service Repair Manual 2004 2007 Free and Paid eBooks
 - Jeep Liberty 3 7l 2 8l Crd Full Service Repair Manual 2004 2007 Public Domain eBooks
 - Jeep Liberty 3 7l 2 8l Crd Full Service Repair Manual 2004 2007 eBook Subscription Services
 - Jeep Liberty 3 7l 2 8l Crd Full Service Repair Manual 2004 2007 Budget-Friendly Options
- 6. Navigating Jeep Liberty 3 7l 2 8l Crd Full Service Repair Manual 2004 2007 eBook Formats
 - ePub, PDF, MOBI, and More
 - Jeep Liberty 3 7l 2 8l Crd Full Service Repair Manual 2004 2007 Compatibility with Devices
 - Jeep Liberty 3 7l 2 8l Crd Full Service Repair Manual 2004 2007 Enhanced eBook Features
- 7. Enhancing Your Reading Experience
 - Adjustable Fonts and Text Sizes of Jeep Liberty 3 7l 2 8l Crd Full Service Repair Manual 2004 2007
 - Highlighting and Note-Taking Jeep Liberty 3 7l 2 8l Crd Full Service Repair Manual 2004 2007
 - Interactive Elements Jeep Liberty 3 7l 2 8l Crd Full Service Repair Manual 2004 2007
- 8. Staying Engaged with Jeep Liberty 3 7l 2 8l Crd Full Service Repair Manual 2004 2007
 - Joining Online Reading Communities
 - Participating in Virtual Book Clubs
 - Following Authors and Publishers Jeep Liberty 3 7l 2 8l Crd Full Service Repair Manual 2004 2007
- 9. Balancing eBooks and Physical Books Jeep Liberty 3 7l 2 8l Crd Full Service Repair Manual 2004 2007
 - Benefits of a Digital Library
 - Creating a Diverse Reading Collection Jeep Liberty 3 7l 2 8l Crd Full Service Repair Manual 2004 2007
- 10. Overcoming Reading Challenges
 - Dealing with Digital Eye Strain
 - Minimizing Distractions
 - Managing Screen Time
- 11. Cultivating a Reading Routine Jeep Liberty 3 7l 2 8l Crd Full Service Repair Manual 2004 2007
 - Setting Reading Goals Jeep Liberty 3 7l 2 8l Crd Full Service Repair Manual 2004 2007
 - Carving Out Dedicated Reading Time
- 12. Sourcing Reliable Information of Jeep Liberty 3 7l 2 8l Crd Full Service Repair Manual 2004 2007
 - Fact-Checking eBook Content of Jeep Liberty 3 7l 2 8l Crd Full Service Repair Manual 2004 2007
 - Distinguishing Credible Sources

13. Promoting Lifelong Learning
 - Utilizing eBooks for Skill Development
 - Exploring Educational eBooks
14. Embracing eBook Trends
 - Integration of Multimedia Elements
 - Interactive and Gamified eBooks

Jeep Liberty 3 71 2 8l Crd Full Service Repair Manual 2004 2007 Introduction

In the digital age, access to information has become easier than ever before. The ability to download Jeep Liberty 3 71 2 8l Crd Full Service Repair Manual 2004 2007 has revolutionized the way we consume written content. Whether you are a student looking for course material, an avid reader searching for your next favorite book, or a professional seeking research papers, the option to download Jeep Liberty 3 71 2 8l Crd Full Service Repair Manual 2004 2007 has opened up a world of possibilities. Downloading Jeep Liberty 3 71 2 8l Crd Full Service Repair Manual 2004 2007 provides numerous advantages over physical copies of books and documents. Firstly, it is incredibly convenient. Gone are the days of carrying around heavy textbooks or bulky folders filled with papers. With the click of a button, you can gain immediate access to valuable resources on any device. This convenience allows for efficient studying, researching, and reading on the go. Moreover, the cost-effective nature of downloading Jeep Liberty 3 71 2 8l Crd Full Service Repair Manual 2004 2007 has democratized knowledge. Traditional books and academic journals can be expensive, making it difficult for individuals with limited financial resources to access information. By offering free PDF downloads, publishers and authors are enabling a wider audience to benefit from their work. This inclusivity promotes equal opportunities for learning and personal growth. There are numerous websites and platforms where individuals can download Jeep Liberty 3 71 2 8l Crd Full Service Repair Manual 2004 2007. These websites range from academic databases offering research papers and journals to online libraries with an expansive collection of books from various genres. Many authors and publishers also upload their work to specific websites, granting readers access to their content without any charge. These platforms not only provide access to existing literature but also serve as an excellent platform for undiscovered authors to share their work with the world. However, it is essential to be cautious while downloading Jeep Liberty 3 71 2 8l Crd Full Service Repair Manual 2004 2007. Some websites may offer pirated or illegally obtained copies of copyrighted material. Engaging in such activities not only violates copyright laws but also undermines the efforts of authors, publishers, and researchers. To ensure ethical downloading, it is advisable to utilize reputable websites that prioritize the legal distribution of content. When downloading Jeep Liberty 3 71 2 8l Crd Full Service Repair Manual 2004 2007, users should also consider the potential security risks associated with online platforms. Malicious

actors may exploit vulnerabilities in unprotected websites to distribute malware or steal personal information. To protect themselves, individuals should ensure their devices have reliable antivirus software installed and validate the legitimacy of the websites they are downloading from. In conclusion, the ability to download Jeep Liberty 3 71 2 8l Crd Full Service Repair Manual 2004 2007 has transformed the way we access information. With the convenience, cost-effectiveness, and accessibility it offers, free PDF downloads have become a popular choice for students, researchers, and book lovers worldwide. However, it is crucial to engage in ethical downloading practices and prioritize personal security when utilizing online platforms. By doing so, individuals can make the most of the vast array of free PDF resources available and embark on a journey of continuous learning and intellectual growth.

FAQs About Jeep Liberty 3 71 2 8l Crd Full Service Repair Manual 2004 2007 Books

How do I know which eBook platform is the best for me? Finding the best eBook platform depends on your reading preferences and device compatibility. Research different platforms, read user reviews, and explore their features before making a choice. Are free eBooks of good quality? Yes, many reputable platforms offer high-quality free eBooks, including classics and public domain works. However, make sure to verify the source to ensure the eBook credibility. Can I read eBooks without an eReader? Absolutely! Most eBook platforms offer webbased readers or mobile apps that allow you to read eBooks on your computer, tablet, or smartphone. How do I avoid digital eye strain while reading eBooks? To prevent digital eye strain, take regular breaks, adjust the font size and background color, and ensure proper lighting while reading eBooks. What the advantage of interactive eBooks? Interactive eBooks incorporate multimedia elements, quizzes, and activities, enhancing the reader engagement and providing a more immersive learning experience. Jeep Liberty 3 71 2 8l Crd Full Service Repair Manual 2004 2007 is one of the best book in our library for free trial. We provide copy of Jeep Liberty 3 71 2 8l Crd Full Service Repair Manual 2004 2007 in digital format, so the resources that you find are reliable. There are also many Ebooks of related with Jeep Liberty 3 71 2 8l Crd Full Service Repair Manual 2004 2007. Where to download Jeep Liberty 3 71 2 8l Crd Full Service Repair Manual 2004 2007 online for free? Are you looking for Jeep Liberty 3 71 2 8l Crd Full Service Repair Manual 2004 2007 PDF? This is definitely going to save you time and cash in something you should think about. If you trying to find then search around for online. Without a doubt there are numerous these available and many of them have the freedom. However without doubt you receive whatever you purchase. An alternate way to get ideas is always to check another Jeep Liberty 3 71 2 8l Crd Full Service Repair Manual 2004 2007. This method for see exactly what may be included and adopt these ideas to your book. This site will almost certainly help you save time and effort, money and stress. If you are looking for free books then you really should consider finding to assist you try this. Several of Jeep Liberty 3 71 2 8l Crd Full

Service Repair Manual 2004 2007 are for sale to free while some are payable. If you arent sure if the books you would like to download works with for usage along with your computer, it is possible to download free trials. The free guides make it easy for someone to free access online library for download books to your device. You can get free download on free trial for lots of books categories. Our library is the biggest of these that have literally hundreds of thousands of different products categories represented. You will also see that there are specific sites catered to different product types or categories, brands or niches related with Jeep Liberty 3 71 2 8l Crd Full Service Repair Manual 2004 2007. So depending on what exactly you are searching, you will be able to choose e books to suit your own need. Need to access completely for Campbell Biology Seventh Edition book? Access Ebook without any digging. And by having access to our ebook online or by storing it on your computer, you have convenient answers with Jeep Liberty 3 71 2 8l Crd Full Service Repair Manual 2004 2007 To get started finding Jeep Liberty 3 71 2 8l Crd Full Service Repair Manual 2004 2007, you are right to find our website which has a comprehensive collection of books online. Our library is the biggest of these that have literally hundreds of thousands of different products represented. You will also see that there are specific sites catered to different categories or niches related with Jeep Liberty 3 71 2 8l Crd Full Service Repair Manual 2004 2007 So depending on what exactly you are searching, you will be able to choose ebook to suit your own need. Thank you for reading Jeep Liberty 3 71 2 8l Crd Full Service Repair Manual 2004 2007. Maybe you have knowledge that, people have search numerous times for their favorite readings like this Jeep Liberty 3 71 2 8l Crd Full Service Repair Manual 2004 2007, but end up in harmful downloads. Rather than reading a good book with a cup of coffee in the afternoon, instead they juggled with some harmful bugs inside their laptop. Jeep Liberty 3 71 2 8l Crd Full Service Repair Manual 2004 2007 is available in our book collection an online access to it is set as public so you can download it instantly. Our digital library spans in multiple locations, allowing you to get the most less latency time to download any of our books like this one. Merely said, Jeep Liberty 3 71 2 8l Crd Full Service Repair Manual 2004 2007 is universally compatible with any devices to read.

Find Jeep Liberty 3 71 2 8l Crd Full Service Repair Manual 2004 2007 :

~~manual for pontiac bonneville 92~~

manual for thunderbolt cell phone

manual for huskylock 360

~~manual for gmc duramax changing injectors~~

~~manual for kubota b1750~~

manual for eagle home alarm system

~~manual for garmin gps 48~~

manual for dremel 3000

manual for honda 350 4 trax

manual for dodge truck diagnostic procedures manual

manual for fujitsu siemens laptop

manual for husky 6250 generator

manual for lexus 430 for break systems

manual for honda shadow aero vt750 2007

manual for flhtcu electra glide 2015

Jeep Liberty 3 71 2 81 Crd Full Service Repair Manual 2004 2007 :

Clymer Repair Manual For Kawasaki Concours ZG 1000 A ... Buy Clymer Repair Manual For Kawasaki Concours ZG 1000 A 86-06 M409-2: Software - Amazon.com ☐ FREE DELIVERY possible on eligible purchases. Kawasaki ZG1000 Concours Repair Manuals MOTORCYCLEiD is your trusted source for all your Kawasaki ZG1000 Concours Repair Manuals needs. We expand our inventory daily to give ... Kawasaki Concours Manual | Service | Owners | Repair ... The Kawasaki Concours manual by Clymer provides the best instructions for service and repair of the Concours motorcycle. Models include: GTR1000 and ZG1000. Clymer Repair Manual for Kawasaki ZG1000 Concours ... CLYMER REPAIR MANUAL with complete coverage for your Kawasaki ZG1000 Concours/GTR1000 (1986-2004):. Handy thumb-tabs put the chapter you need right at your ... Kawasaki Concours Repair Manual 1986-2006 This DIY repair and service manual covers 1986-2006 Kawasaki Concours ZG1000 and GTR1000. Clymer Manuals, Part No. M409-2. 1986-2003 Kawasaki Concours 1000GTR ZG1000 A1-A18 ... 1986-2003 Kawasaki Concours 1000GTR ZG1000 A1-A18 SERVICE MANUAL ; Item Number. 395001094446 ; Year. 2003 ; Year of Publication. 1986 ; Accurate description. 4.9. Owner's & Service Manuals Get quick and easy access to information specific to your Kawasaki vehicle. Download official owner's manuals and order service manuals for Kawasaki vehicles ... Clymer Repair Manual For Kawasaki Concours ZG 1000 A ... Whether its simple maintenance or complete restoration, dont start work without Clymer, the leader in service manuals Save yourself time and frustration ... 1986-2006 Kawasaki ZG1000A Concours Motorcycle ... This Official 1986-2006 Kawasaki ZG1000A Concours Factory Service Manual provides detailed service information, step-by-step repair instruction and. Clymer Repair Manual Kawasaki ZG1000 Concours 1986- ... This repair manual provides specific, detailed instructions for performing everything from basic maintenance and troubleshooting to a complete overhaul of ... Il tempo, grande scultore: 9788806577605 Il tempo, grande scultore - Softcover. 4.07 avg rating • (323 ratings by Goodreads) ... Traduzione di Giuseppe Guglielmi. Numero pagine 212. Seller Inventory ... Il tempo, grande scultore - Marguerite Yourcenar Lunghezza stampa. 216 pagine · Lingua. Italiano · Editore. Einaudi · Data di

pubblicazione. 18 aprile 2005 · Dimensioni. 12 x 1.2 x 19.5 cm · ISBN-10. 8806176838. Il tempo, grande scultore - Marguerite Yourcenar Lunghezza stampa. 214 pagine · Lingua. Italiano · Editore. Einaudi · Data di pubblicazione. 1 febbraio 1994 · ISBN-10. 8806134612 · ISBN-13. 978-8806134617. [PDF] Il Tempo, grande scultore Il Tempo, grande scultore · Marguerite Yourcenar, G. Guglielmi · Published 1994. Il Tempo, grande scultore - Marguerite Yourcenar Il Tempo, grande scultore - Marguerite Yourcenar · Traduzione di Giuseppe Guglielmi · Edizioni Einaudi · Saggistica · Pagg. 216 · ISBN · Prezzo € 10,00 · Un invito a ... Il tempo, grande scultore - Marguerite Yourcenar - Libro Il tempo, grande scultore ; di Marguerite Yourcenar (Autore) ; Giuseppe Guglielmi (Traduttore) ; LIBRO. Venditore: IBS ; Venditore: IBS ; Descrizione. Diciotto saggi ... Il tempo, grande scultore - Marguerite Yourcenar - Libro Nov 24, 2023 — Una scrittura in cui il gusto dell'erudito, l'intensità di taluni punti di osservazione privilegiati, una particolare attenzione al destino ... Giuseppe Guglielmi Pierre Boulez, Punti di riferimento; Raymond Queneau, Troppo buoni con le donne; Marguerite Yourcenar, Il tempo, grande scultore; Charles Baudelaire ... Il tempo, grande scultore - Marguerite Yourcenar Informazioni bibliografiche ; tradotto da, Giuseppe Guglielmi ; Edizione, 9 ; Editore, Einaudi, 2005 ; ISBN, 8806176838, 9788806176839 ; Lunghezza, 216 pagine. A+ Guide to Managing & Maintaining Your PC - Amazon.com Written by best-selling author and educator Jean Andrews, A+ GUIDE TO MANAGING AND MAINTAINING YOUR PC closely integrates the CompTIA+ Exam objectives to ... A+ Guide to Managing & Maintaining Your PC, 8th Edition Learn about the various parts inside a computer case and how they connect together and are compatible. • Learn how to protect yourself and the equipment. A+ Guide to Managing & Maintaining Your PC (with Printed ... This product is the A+ CompTIA Guide to Managing and Maintianing Your PC 8th Edition by Jean Andrews. It contains highlights and underlines in the first ... A+ Guide to Managing & Maintaining Your PC, 8th Edition Make notes for backtracking. • Remove loose jewelry that might get caught. • Stay organized by keeping small parts in one place. A+ Guide to Managing and Maintaining Your PC 8th Ed. Ch.3 A+ Guide to Managing and Maintaining Your PC 8th Edition Ch 3 Learn with flashcards, games, and more — for free. A+ Guide to Managing & Maintaining Your PC - 8th edition Written by best-selling author and educator Jean Andrews, A+ GUIDE TO MANAGING AND MAINTAINING YOUR PC closely integrates the CompTIA+ Exam objectives to ... A+ Guide to Managing & Maintaining Your PC 8th Edition Access A+ Guide to Managing & Maintaining Your PC 8th Edition solutions now. Our solutions are written by Chegg experts so you can be assured of the highest ... A+ Guide to Managing and Maintaining Your PC 8th Ed. Ch.1 a document that explains how to properly handle substances such as chemical solvents, it includes information such as physical data, toxicity, health effects, ... CompTIA A+ Guide to Managing and Maintaining Your PC ... Guide book to your pc · Great and well details product. · Really thoroughly explains everything about computers. Especially hardware. · Great value. · Great for ... A+ Guide to Managing & Maintaining Your PC, 8th Edition Aug 12, 2017 — A+ Guide to Managing and Maintaining Your PC, 7e Chapter 15 Tools for Solving Windows Problems.