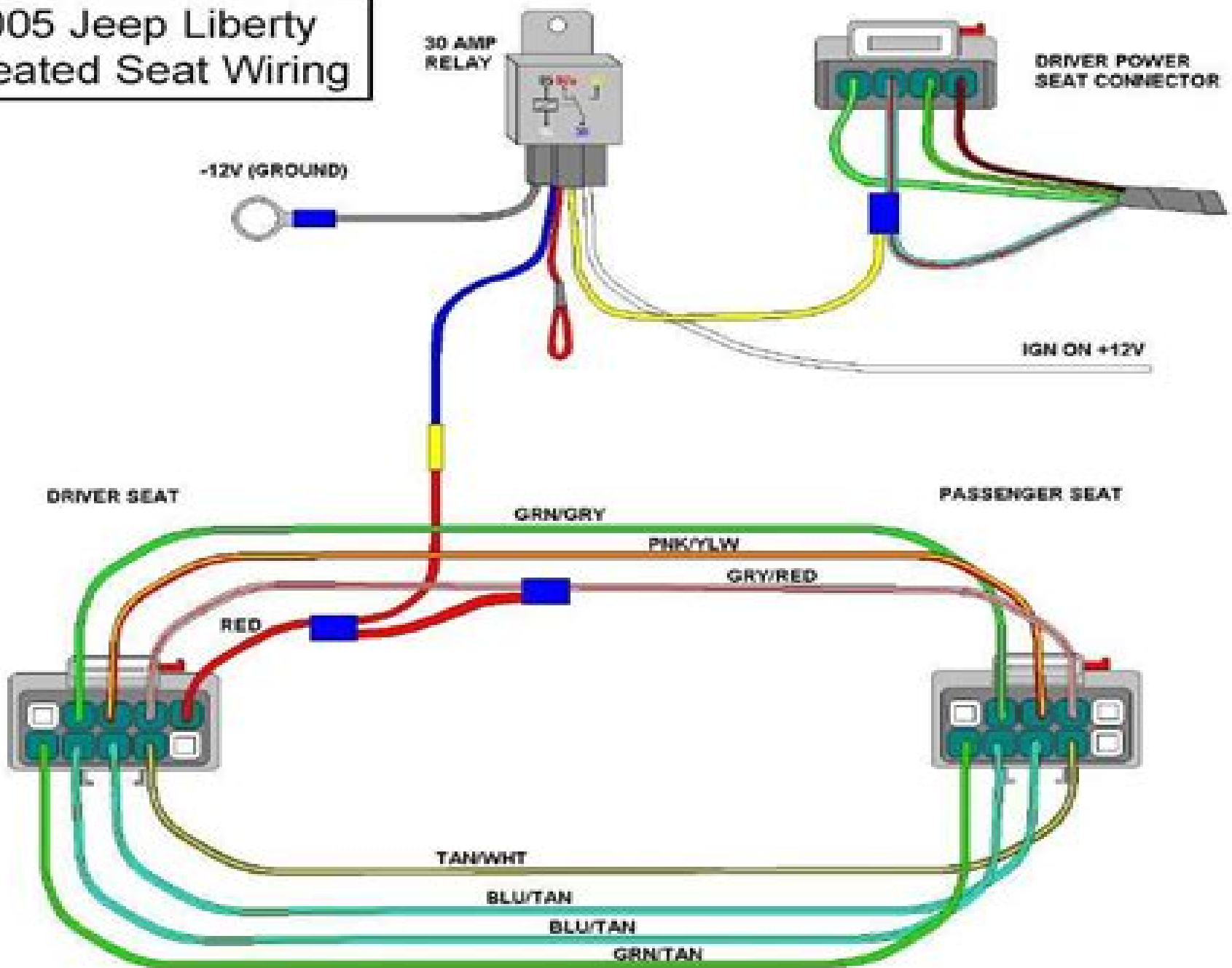


2005 Jeep Liberty Heated Seat Wiring



Jeep Liberty Towing Wiring Harness Diagram

Karin Nielsen-Saines



Jeep Liberty Towing Wiring Harness Diagram:

Immerse yourself in the artistry of words with Experience Art with its expressive creation, **Jeep Liberty Towing Wiring Harness Diagram** . This ebook, presented in a PDF format (PDF Size: *), is a masterpiece that goes beyond conventional storytelling. Indulge your senses in prose, poetry, and knowledge. Download now to let the beauty of literature and artistry envelop your mind in a unique and expressive way.

<https://www.splashdogs.com/data/detail/index.jsp/Geography%20Paper%201%20September%202013%20Paper.pdf>

Table of Contents Jeep Liberty Towing Wiring Harness Diagram

1. Understanding the eBook Jeep Liberty Towing Wiring Harness Diagram
 - The Rise of Digital Reading Jeep Liberty Towing Wiring Harness Diagram
 - Advantages of eBooks Over Traditional Books
2. Identifying Jeep Liberty Towing Wiring Harness Diagram
 - Exploring Different Genres
 - Considering Fiction vs. Non-Fiction
 - Determining Your Reading Goals
3. Choosing the Right eBook Platform
 - Popular eBook Platforms
 - Features to Look for in an Jeep Liberty Towing Wiring Harness Diagram
 - User-Friendly Interface
4. Exploring eBook Recommendations from Jeep Liberty Towing Wiring Harness Diagram
 - Personalized Recommendations
 - Jeep Liberty Towing Wiring Harness Diagram User Reviews and Ratings
 - Jeep Liberty Towing Wiring Harness Diagram and Bestseller Lists
5. Accessing Jeep Liberty Towing Wiring Harness Diagram Free and Paid eBooks
 - Jeep Liberty Towing Wiring Harness Diagram Public Domain eBooks
 - Jeep Liberty Towing Wiring Harness Diagram eBook Subscription Services
 - Jeep Liberty Towing Wiring Harness Diagram Budget-Friendly Options

6. Navigating Jeep Liberty Towing Wiring Harness Diagram eBook Formats
 - ePub, PDF, MOBI, and More
 - Jeep Liberty Towing Wiring Harness Diagram Compatibility with Devices
 - Jeep Liberty Towing Wiring Harness Diagram Enhanced eBook Features
7. Enhancing Your Reading Experience
 - Adjustable Fonts and Text Sizes of Jeep Liberty Towing Wiring Harness Diagram
 - Highlighting and Note-Taking Jeep Liberty Towing Wiring Harness Diagram
 - Interactive Elements Jeep Liberty Towing Wiring Harness Diagram
8. Staying Engaged with Jeep Liberty Towing Wiring Harness Diagram
 - Joining Online Reading Communities
 - Participating in Virtual Book Clubs
 - Following Authors and Publishers Jeep Liberty Towing Wiring Harness Diagram
9. Balancing eBooks and Physical Books Jeep Liberty Towing Wiring Harness Diagram
 - Benefits of a Digital Library
 - Creating a Diverse Reading Collection Jeep Liberty Towing Wiring Harness Diagram
10. Overcoming Reading Challenges
 - Dealing with Digital Eye Strain
 - Minimizing Distractions
 - Managing Screen Time
11. Cultivating a Reading Routine Jeep Liberty Towing Wiring Harness Diagram
 - Setting Reading Goals Jeep Liberty Towing Wiring Harness Diagram
 - Carving Out Dedicated Reading Time
12. Sourcing Reliable Information of Jeep Liberty Towing Wiring Harness Diagram
 - Fact-Checking eBook Content of Jeep Liberty Towing Wiring Harness Diagram
 - Distinguishing Credible Sources
13. Promoting Lifelong Learning
 - Utilizing eBooks for Skill Development
 - Exploring Educational eBooks
14. Embracing eBook Trends
 - Integration of Multimedia Elements

- Interactive and Gamified eBooks

Jeep Liberty Towing Wiring Harness Diagram Introduction

In the digital age, access to information has become easier than ever before. The ability to download Jeep Liberty Towing Wiring Harness Diagram has revolutionized the way we consume written content. Whether you are a student looking for course material, an avid reader searching for your next favorite book, or a professional seeking research papers, the option to download Jeep Liberty Towing Wiring Harness Diagram has opened up a world of possibilities. Downloading Jeep Liberty Towing Wiring Harness Diagram provides numerous advantages over physical copies of books and documents. Firstly, it is incredibly convenient. Gone are the days of carrying around heavy textbooks or bulky folders filled with papers. With the click of a button, you can gain immediate access to valuable resources on any device. This convenience allows for efficient studying, researching, and reading on the go. Moreover, the cost-effective nature of downloading Jeep Liberty Towing Wiring Harness Diagram has democratized knowledge. Traditional books and academic journals can be expensive, making it difficult for individuals with limited financial resources to access information. By offering free PDF downloads, publishers and authors are enabling a wider audience to benefit from their work. This inclusivity promotes equal opportunities for learning and personal growth. There are numerous websites and platforms where individuals can download Jeep Liberty Towing Wiring Harness Diagram. These websites range from academic databases offering research papers and journals to online libraries with an expansive collection of books from various genres. Many authors and publishers also upload their work to specific websites, granting readers access to their content without any charge. These platforms not only provide access to existing literature but also serve as an excellent platform for undiscovered authors to share their work with the world. However, it is essential to be cautious while downloading Jeep Liberty Towing Wiring Harness Diagram. Some websites may offer pirated or illegally obtained copies of copyrighted material. Engaging in such activities not only violates copyright laws but also undermines the efforts of authors, publishers, and researchers. To ensure ethical downloading, it is advisable to utilize reputable websites that prioritize the legal distribution of content. When downloading Jeep Liberty Towing Wiring Harness Diagram, users should also consider the potential security risks associated with online platforms. Malicious actors may exploit vulnerabilities in unprotected websites to distribute malware or steal personal information. To protect themselves, individuals should ensure their devices have reliable antivirus software installed and validate the legitimacy of the websites they are downloading from. In conclusion, the ability to download Jeep Liberty Towing Wiring Harness Diagram has transformed the way we access information. With the convenience, cost-effectiveness, and accessibility it offers, free PDF downloads have become a popular choice for students, researchers, and book lovers worldwide. However, it is crucial to engage in ethical downloading practices and prioritize personal security when utilizing online platforms. By doing so,

individuals can make the most of the vast array of free PDF resources available and embark on a journey of continuous learning and intellectual growth.

FAQs About Jeep Liberty Towing Wiring Harness Diagram Books

What is a Jeep Liberty Towing Wiring Harness Diagram PDF? A PDF (Portable Document Format) is a file format developed by Adobe that preserves the layout and formatting of a document, regardless of the software, hardware, or operating system used to view or print it. **How do I create a Jeep Liberty Towing Wiring Harness Diagram PDF?** There are several ways to create a PDF: Use software like Adobe Acrobat, Microsoft Word, or Google Docs, which often have built-in PDF creation tools. Print to PDF: Many applications and operating systems have a "Print to PDF" option that allows you to save a document as a PDF file instead of printing it on paper. Online converters: There are various online tools that can convert different file types to PDF. **How do I edit a Jeep Liberty Towing Wiring Harness Diagram PDF?** Editing a PDF can be done with software like Adobe Acrobat, which allows direct editing of text, images, and other elements within the PDF. Some free tools, like PDFescape or Smallpdf, also offer basic editing capabilities. **How do I convert a Jeep Liberty Towing Wiring Harness Diagram PDF to another file format?** There are multiple ways to convert a PDF to another format: Use online converters like Smallpdf, Zamzar, or Adobe Acrobats export feature to convert PDFs to formats like Word, Excel, JPEG, etc. Software like Adobe Acrobat, Microsoft Word, or other PDF editors may have options to export or save PDFs in different formats. **How do I password-protect a Jeep Liberty Towing Wiring Harness Diagram PDF?** Most PDF editing software allows you to add password protection. In Adobe Acrobat, for instance, you can go to "File" -> "Properties" -> "Security" to set a password to restrict access or editing capabilities. Are there any free alternatives to Adobe Acrobat for working with PDFs? Yes, there are many free alternatives for working with PDFs, such as: LibreOffice: Offers PDF editing features. PDFsam: Allows splitting, merging, and editing PDFs. Foxit Reader: Provides basic PDF viewing and editing capabilities. How do I compress a PDF file? You can use online tools like Smallpdf, ILovePDF, or desktop software like Adobe Acrobat to compress PDF files without significant quality loss. Compression reduces the file size, making it easier to share and download. Can I fill out forms in a PDF file? Yes, most PDF viewers/editors like Adobe Acrobat, Preview (on Mac), or various online tools allow you to fill out forms in PDF files by selecting text fields and entering information. Are there any restrictions when working with PDFs? Some PDFs might have restrictions set by their creator, such as password protection, editing restrictions, or print restrictions. Breaking these restrictions might require specific software or tools, which may or may not be legal depending on the circumstances and local laws.

Find Jeep Liberty Towing Wiring Harness Diagram :

[geography paper 1 september 2013 paper](#)

geography paper grade2014

[geography hons question paper](#)

[geography scope grade 11 2014](#)

[geography grade 1final exam memoradum 2014](#)

[geography paperjune exam memo 2014](#)

[geography question paper paper 1 2014 grade 11 november](#)

geography paper 1 2014 grade 12 caps memorandum mid year exam

[geography papergrade1november 2014](#)

[geography memorandum grade 2013 on picture](#)

geography memorundum 2014 november

geography prentice hall textbooks

geography paper 1 eastern cape 2013 november

[geography research task 2 grade 12 2014](#)

[geography p2 november 2013 memorandum grade12](#)

Jeep Liberty Towing Wiring Harness Diagram :

car alfa romeo 156 workshop repair and service manuals - Mar 11 2023

web car alfa romeo 156 workshop repair and service manuals user guides and owners manuals download free 32 92 mb

service and repair manual for alfa romeo 156 1997 2003

alfa 156 workshop manual alfa romeo forum - Feb 10 2023

web aug 29 2008 has anyone purchased the 156 workshop manual from these guys alfa romeo 156 workshop manual

service manual repair manual if so does it cover the 175bhp

alfa romeo alfa 156 repair service manuals 7 pdf s - Apr 12 2023

web alfa romeo alfa 156 owners manual covering weekly checks alfa romeo alfa 156 workshop manual covering lubricants

fluids and tyre pressures alfa romeo alfa 156 service pdf s covering routine maintenance and servicing detailed alfa romeo

alfa 156 engine and associated service systems for repairs and overhaul pdf alfa romeo

service and repair manual for alfa romeo 156 1997 2003 - Aug 04 2022

web service and repair manual for alfa romeo 156 1997 2003 32 92 mb year 2009 pages 274 format pdf language russian file size 32 92 mb service and repair manual for alfa romeo 156 1997 2003 download free download 32 92 mb

alfa romeo workshop repair manuals - May 01 2022

web alfa romeo workshop manuals instant download alfa romeo workshop manuals professional and home service and repair of engine gearbox steering brakes wiring etc choose your alfa romeo workshop manual from the links below alfa romeo 145 workshop repair manual download 1994 to 2000 more info alfa

alfa romeo 156 service repair workshop manuals - Mar 31 2022

web 156 alfa romeo 156 service repair workshop manuals view sort by page 1 2 results per page 1997 2005 alfa romeo 156 workshop repair service manual in french best 30 99 alfa romeo 156 diy workshop repair service manual 28 99 alfa romeo 156 workshop manual 19 99 alfa romeo 156 2007 factory service repair manual

alfa romeo workshop repair owners manuals 100 free - Dec 08 2022

web how to find your alfa romeo workshop or owners manual we have 331 free pdf s spread across 26 alfa romeo vehicles to narrow down your search please use the dropdown box above or select from one of the available vehicles in the list below

alfa romeo 156 service repair manual youfixcars com - Feb 27 2022

web you fix cars has auto service repair manuals for your alfa romeo 156 download your manual now alfa romeo 156 service repair manuals complete list of alfa romeo 156 auto service repair manuals

alfa romeo 156 pdf workshop and repair manuals - Jun 14 2023

web apr 6 2018 download repair manuals for the alfa romeo 156 as well as the operating and maintenance manual the alfa romeo 156 1997 2003 output equipped with gasoline engines working volume of 1 6 1 8 2 0 2 5 liters as well as diesel engines with a working volume of 1 9 2 4 liters

alfa romeo repair and service manuals pdf - Jan 29 2022

web hello are service provider of service and repair manuals on technical information on asian manufactured vehicles email add automotivpalace hotmail com 125

alfa romeo 156 workshop service manual download - Jul 03 2022

web download complete service repair manual for alfa romeo 156 car alfa romeo 156 elearn complete workshop and service manual in cd alfa romeo 156 workshop manual technical data wiring diagrams services resets tightening torques and many many more a must have for any alfa romeo 156 owner

alfa romeo alfa romeo 156 workshop manual pdf manualshelf - Jan 09 2023

web page 126 156 exhaust system sport exhaust system ts16v cf2 1 snsd1164 sport endtopf 156 1 6 1 8 2 0 16vts endrohr verchromt oval 120x76 mm 2 sat091066 oe 60655991 rubber exhaust hanger 147 156 126 234 92 eur 4 page 127

[alfa romeo 156 service repair manual 1997 2007](#) - Dec 28 2021

web alfa romeo 156 service repair manual 1997 2007 07 2004 europe 1 cd windows 10 windows 8 windows 7 windows vista windows xp 32 64 bit alfa romeo 156 service repair

[alfa romeo 156 workshop service repair manual](#) - Jun 02 2022

web this is the complete factory service repair workshop manual for the alfa romeo 156 this service manual has easy to read text sections with top quality diagrams and instructions they are specifically written for the do it yourselfer as well as the experien

[alfa romeo 156 2003 2007 haynes repair manuals guides](#) - Jul 15 2023

web need to service or repair your alfa romeo 156 2003 2007 online and print formats available save time and money when you follow the advice of haynes master mechanics

[alfa romeo 156 workshop repair manual download 1996 2007](#) - Oct 06 2022

web official alfa romeo 156 workshop service repair manual containing comprehensive illustrations and wiring diagrams accurate clear step by step instructions and procedures all manufacturer specifications and technical information including scheduled service information maintenance operations tightening torques operating fluids and wiring

[alfa romeo 156 service repair manuals on motor era](#) - Sep 05 2022

web alfa romeo 156 workshop repair service manual download alfa romeo 156 diy workshop repair service manual 1997 2005 alfa romeo 156 workshop repair service manual in french best download alfa romeo 156 1997 to 2007 workshop repair service manual alfa romeo 156 service manual 1997 2005 alfa romeo 156

alfa romeo 156 1997 2003 service manual autorepmans com - Nov 07 2022

web jan 1 2007 alfa romeo 156 1997 2003 repair manual car in the workshop manual alfa romeo 156 provides pictures and descriptions clarifying the function of various parts and to indicate their location the repair work described and accompanied by photos in phased sequence

alfa romeo alfa 156 free workshop and repair manuals - May 13 2023

web alfa romeo alfa 156 workshop repair and owners manuals for all years and models free pdf download for thousands of cars and trucks

[alfa romeo 156 repair manuals manuals alfa romeo](#) - Aug 16 2023

web alfa romeo 147 156 repair manual pdf repair manuals 1 58 mb english 63 156 1997 2007 alfa romeo 156 workshop cd manual zip alfa romeo 156 workshop cd manual repair manuals 214 mb english 156 alfa romeo 156 elearn torrent werkstatthandbuch fur alfa romeo 156

[laravel up running 2e a framework for building modern php](#) - Dec 12 2022

apr 26 2019 buy laravel up running 2e a framework for building modern php apps 2nd ed by stauffer matt isbn 9781492041214 from amazon s book store everyday low prices and free delivery on eligible orders

laravel up running a framework for building modern php - Nov 11 2022

what sets laravel apart from other php web frameworks speed and simplicity for starters laravel up running a framework for building modern php apps by matt stauffer goodreads

laravel up running 3rd edition book o reilly media - Apr 16 2023

this rapid application development framework and its ecosystem of tools let you quickly build new sites and applications with clean readable code fully updated to include laravel 10 the third edition of this practical guide provides the definitive introduction to one of today s most popular web frameworks

update upgrade laravel then framework guide laracasts - Mar 03 2022

there you are updating upgrading something in laravel not the framework the way you answered newcomers will think all they have to do is run composer update which is not the case this guide this meant for upgrading to a new version not inside an existing version just upgrade the framework as per the upgrade guide that is not correct

laravel up running a framework for building modern php - Apr 04 2022

speed and simplicity for starters this rapid application development framework and its ecosystem of tools let you quickly build new sites and applications with clean readable code fully updated to include laravel 10 the third edition of this practical guide provides the definitive introduction to one of today s most popular web

[laravel up running a framework for building modern php](#) - Sep 21 2023

apr 1 2019 speed and simplicity for starters this rapid application development framework and its ecosystem of tools let you quickly build new sites and applications with clean readable code fully

installation laravel 10 x the php framework for web artisans - Mar 15 2023

there are a variety of tools and frameworks available to you when building a web application however we believe laravel is the best choice for building modern full stack web applications a progressive framework we like to call laravel a progressive framework by that we mean that laravel grows with you

laravel up running a framework for building modern php - Jul 19 2023

laravel up running a framework for building modern php apps stauffer matt amazon com tr kitap

laravel up running a framework for building modern php apps - Aug 08 2022

oct 17 2023 this rapid application development framework and its ecosystem of tools let you quickly build new sites and applications with clean readable code fully updated to include laravel 10 the third edition of this practical guide provides the definitive introduction to one of today s most popular web frameworks

[laravel up and running a framework for building modern php](#) - Feb 14 2023

nov 21 2016 what sets laravel apart from other php web frameworks speed and simplicity for starters this rapid application development framework and its vast ecosystem of tools let you quickly build

laravel up running a framework for building modern php apps - Sep 09 2022

apr 1 2019 laravel up running a framework for building modern php apps 2nd edition kindle edition by matt stauffer author format kindle edition 4 5 151 ratings see all formats and editions kindle edition 27 66 read with our free app paperback 29 00 4 used from 27 79 13 new from 29 00 what sets laravel apart from other php web frameworks

pdf laravel a framework for building php apps researchgate - Jun 06 2022

dec 18 2020 laravel up running a framework for building modern php united states of america o reilly media 7 sunardi a 2019 mvc architecture a comparative study between laravel

laravel up running an o reilly book by matt stauffer - May 17 2023

why laravel why consider a framework at all why php why laravel we ll cover the history of php frameworks and laravel s history and vision setting up a laravel development environment any modern php development environment will be good for developing laravel but if you re new to modern php we ll get you ready in no time

laravel up and running a framework for building modern php - May 05 2022

select search scope currently catalog all catalog articles website more in one search catalog books media more in the stanford libraries collections articles journal articles other e resources

laravel up running a framework for building modern php - Jun 18 2023

speed and simplicity for starters this rapid application development framework and its ecosystem of tools let you quickly build new sites and applications with clean readable code fully

[laravel up running a framework for building moder](#) - Feb 02 2022

they are relevant to modern php and laravel development written by a working developer who uses these patterns every day you will easily be able to implement each pattern into your

laravel up running a framework for building modern php - Jan 13 2023

speed and simplicity for starters this rapid application development framework and its ecosystem of tools let you quickly build new sites and applications with clean readable code fully updated to cover laravel 5 8 the second edition of this practical guide provides the definitive introduction to one of today s mostpopular web frameworks

laravel up running a framework for building modern php - Jul 07 2022

sep 21 2023 laravel up running a framework for building modern php apps 3rd edition scanlibs laravel up running a framework for building modern php apps 3rd edition september 21 2023 books english 2023 isbn 978 1098153267 559 pages

epub 10 mb what sets laravel apart from other php web frameworks speed and simplicity for

laravel up and running a framework for building modern php - Oct 10 2022

dec 27 2016 matt stauffer laravel up and running a framework for building modern php apps 1st edition by matt stauffer author 4 5 118 ratings see all formats and editions there is a newer edition of this item laravel up running a framework for building modern php apps 59 99 this title has not yet been released

laravel up running a framework for building modern php apps - Aug 20 2023

apr 20 2019 laravel up running a framework for building modern php apps stauffer matt on amazon com free shipping on qualifying offers

the moon sister lucinda riley - Apr 11 2023

web jul 10 2019 lucinda riley the moon sister tiggy s story seven sisters hardcover large print 10 july 2019 by lucinda riley author 4 6 23 255 ratings book 5 of 8 the

amazon co uk customer reviews the moon sister tiggy 39 s - Jun 01 2022

web apr 4 2019 from the scottish highlands and spain to south america and new york the moon sister is the fifth epic story in the seven sisters series by the international

the moon sister tiggy s story thorndike press large print - Jan 08 2023

web nov 1 2018 synopsis from the scottish highlands and spain to south america and new york the moon sister is the fifth epic story in the seven sisters series by the number

the moon sister tiggy s story seven sisters hardcover - Mar 10 2023

web oct 30 2018 the moon sister is the fifth epic story in the seven sisters series by lucinda riley after the death of her father pa salt an elusive billionaire who adopted

the moon sister tiggy s story the seven sisters 5 band 5 - Sep 04 2022

web the moon sister is the fifth epic story in the seven sisters series by lucinda riley after the death of her father 8211 pa salt an elusive billionaire who adopted his six daughters from around the globe 8211 tiggy d aplièse trusting her instincts moves to the remote wilds of scotland

the moon sister tiggy s story seven sisters ciltli kapak - Nov 25 2021

web the moon sister is the fifth epic story in the seven sisters series by lucinda riley after the death of her father pa salt an elusive billionaire who adopted his six daughters from around the globe tiggy d aplièse trusting her instincts moves to

the moon sister tiggy s story the seven sisters - May 12 2023

web nov 1 2018 the moon sister is a sensational seven sisters sizzler as riley unleashes the full force of her imaginative powers on tiggy s unforgettable family story a

q a the moon sister lucinda riley - Jul 14 2023

web apr 4 2019 from the scottish highlands and spain to south america and new york the moon sister is the fifth epic story in the seven sisters series by the international number one bestseller

[the moon sister tiggy s lucia s story the seven sisters book](#) - Aug 03 2022

web from the scottish highlands and spain to south america and new york the moon sister is the fifth epic story in the seven sisters series by the international number one

the moon sister the seven sisters book 5 google books - Feb 09 2023

web a new york times bestselling author the seven sisters series tiggy d aplièse reveled in her work at a deer sanctuary in the raw beauty of the scottish highlands when it closes

[the moon sister tiggy s story the seven sisters 5 band 5](#) - Feb 26 2022

web mar 23 2019 the moon sister is the fifth epic story in the seven sisters series by the international number one bestseller lucinda riley after the death of her father pa salt

[the moon sister lucinda riley 9781509840113 awesomebooks](#) - Apr 30 2022

web apr 4 2019 but when fate takes a hand tiggy must decide whether to stay with her new found family or return to kinnaird and charlie the moon sister follows the seven

[the moon sister the seven sisters 5 tiggy s story riley](#) - Dec 27 2021

web the moon sister tiggy s story seven sisters riley lucinda amazon com tr kitap

the moon sister tiggy s story the seven sisters band 5 - Oct 05 2022

web apr 4 2019 from the scottish highlands and spain to south america and new york the moon sister is the fifth epic story in the seven sisters series by the international

the moon sister the seven sisters book 5 kindle edition - Jul 02 2022

web jul 3 2023 find helpful customer reviews and review ratings for the moon sister tiggy s story the seven sisters 5 at amazon com read honest and unbiased product

[the moon sister by lucinda riley pan macmillan](#) - Dec 07 2022

web the moon sister is the fifth epic story in the seven sisters series by the international number one bestseller lucinda riley after the death of her father pa salt an elusive

the moon sister the seven sisters 5 by lucinda - Aug 15 2023

web oct 30 2018 the moon sister is the fifth book in the bestselling seven sisters series which combine early 20th century historical fiction with a contemporary romance story

[moon sister riley lucinda 9781509840090 abebooks](#) - Oct 25 2021

web tiggy spends her days experiencing the raw beauty of the scottish highlands doing a job she loves at a deer sanctuary but when the sanctuary is forced to close she is offered a

the moon sister tiggy s story the seven sisters 5 - Jun 13 2023

web the moon sister is the fifth epic story in the seven sisters series by lucinda riley after the death of her father pa salt an elusive billionaire who adopted his six daughters

the moon sister tiggy s story the seven sisters 5 softcover - Nov 06 2022

web nov 1 2018 the moon sister is the fifth epic story in the seven sisters series by lucinda riley after the death of her father pa salt an elusive billionaire who adopted his six

the moon sister the seven sisters 5 amazon com - Jan 28 2022

web the moon sister the seven sisters 5 tiggy s story riley lucinda amazon com be books

the moon sister tiggy s story lucinda riley google books - Sep 23 2021

the moon sister lucinda riley 9781509840113 blackwell s - Mar 30 2022

web from the scottish highlands and spain to south america and new york the moon sister is the fifth epic story in the seven sisters series by the international number one