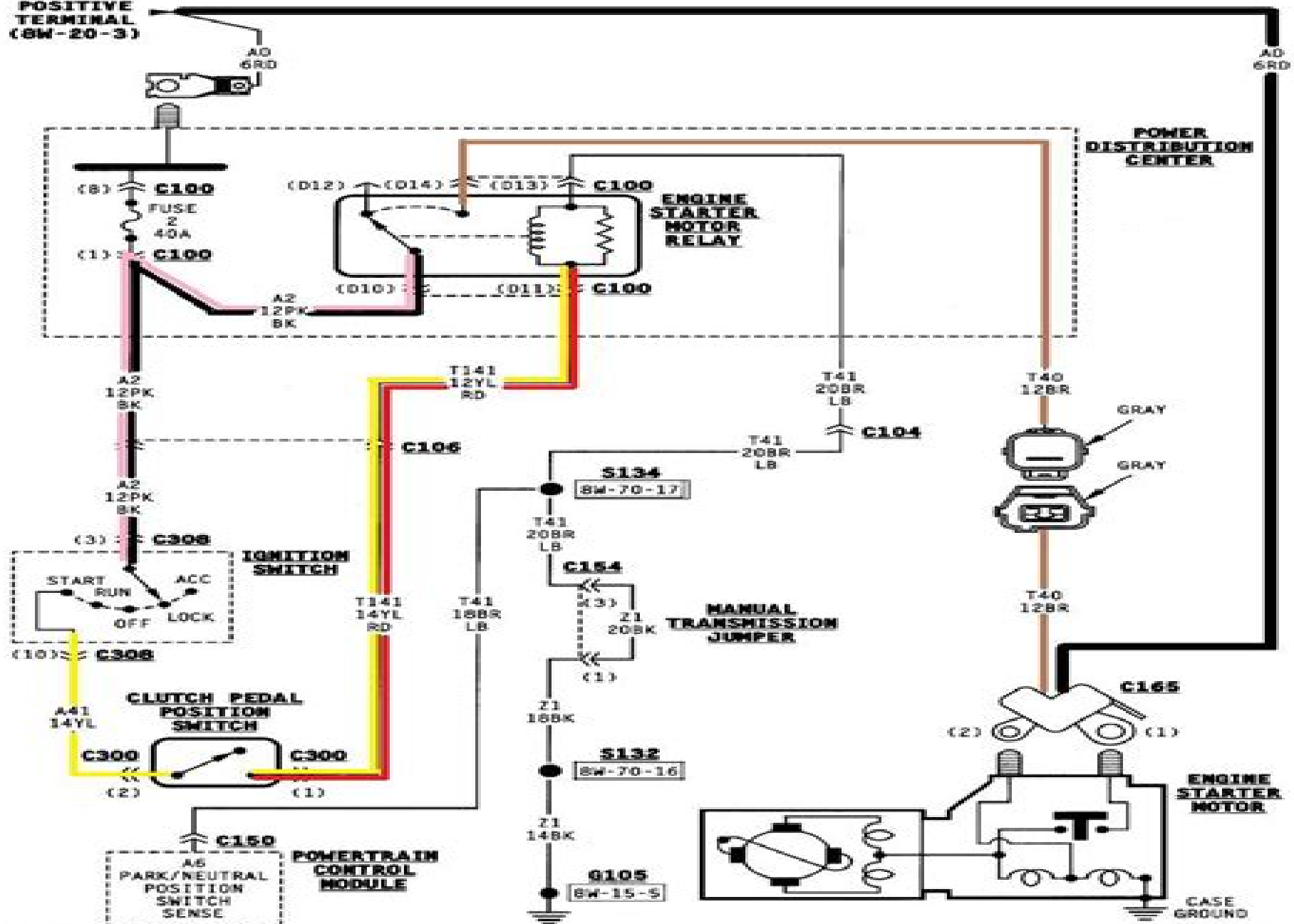


BATTERY
POSITIVE
TERMINAL
(8W-20-3)



Jeep Tj Trailer Electrical Diagram

F Rizvi



Jeep Tj Trailer Electrical Diagram:

Jeep CJ-5, CJ-6, CJ-7, Scrambler, Wrangler, 1971-90, 1990 Electronics fuel injection and other features of modern cars and trucks spell doom for the do it yourselfer Chilton responds to the needs of today's DIYer with a Total Car Care Series of repair manuals offering unique features never before found in one line of do it yourself manuals Contains more technical content and procedures with emphasis on diagnostics and electronics Indexed *4x4s, Pickups and Vans Buying Guide 1993* Auto Editors of Consumer Guide, Consumer Guide Editors, Consumer Guide, 1993-03 This expert guide includes profiles on all the 1993 domestic and imported models available in the U S Includes the latest prices for all models and options full specifications cargo room payload capacity towing limits safety issues warranties and more **Automobile Book 1999** Consumer Guide, Consumer Guide Editors, 1999-01-30 Featuring profiles and photos of over 170 passenger cars minivans and four wheel drive vehicles available for 1999 this book includes the latest suggested retail and dealer invoice prices for all models Meyer Distributing 2008, *Field & Stream*, 1996-07 FIELD STREAM America's largest outdoor sports magazine celebrates the outdoor experience with great stories compelling photography and sound advice while honoring the traditions hunters and fishermen have passed down for generations **Field & Stream**, 1996-07 FIELD STREAM America's largest outdoor sports magazine celebrates the outdoor experience with great stories compelling photography and sound advice while honoring the traditions hunters and fishermen have passed down for generations **Boating**, 2007-09 Subject Guide to Books in Print, 1997 Truck and Van Manual, 1991-1995 Chilton Automotive Books, The Nichols/Chilton, Chilton, (Chilton) Chilton, 1994 Documents specifications repairs and servicing procedures for individual models and provides information on component repair and overhaul *Popular Mechanics*, 1987-09 Popular Mechanics inspires instructs and influences readers to help them master the modern world Whether it's practical DIY home improvement tips gadgets and digital technology information on the newest cars or the latest breakthroughs in science PM is the ultimate guide to our high tech lifestyle **Popular Mechanics**, 1986-10 Popular Mechanics inspires instructs and influences readers to help them master the modern world Whether it's practical DIY home improvement tips gadgets and digital technology information on the newest cars or the latest breakthroughs in science PM is the ultimate guide to our high tech lifestyle *Edmunds Used Cars and Trucks Summer 2001* Edmund's Staff, 2001-03 This accurate up to date guide provides wholesale dealer invoice and retail prices for used cars trucks for models from 1990 to 1999 Includes valuable information to determine trade in and market values and provides readers with evaluations and advice they need to choose wisely and save time and money when buying or leasing or selling or trading a used vehicle *AAA Autotest, 1994* American Automobile Association, 1993-12 Popular Science, 1990-05 Popular Science gives our readers the information and tools to improve their technology and their world The core belief that Popular Science and our readers share The future is going to be better and science and technology are the driving forces that will help make it better **Automobile Book 2002**

Consumer guide,2002 This 2002 edition of the only complete new car buying guide includes profiles and photos of new models retail and dealer invoice prices mileage ratings warranties and safety features Also includes consumer tips on shopping leasing lemon laws insurance and much more The 4x4'S, Pickups and Vans Buying Guide 2003 Consumer Guide,2003-03 Updated for 2003 this comprehensive guide contains profiles of more than 60 new sport utility vehicles pickup trucks and vans with complete specifications on cargo dimensions and payloads plus hands on reviews up to date prices and more **Automobile Book** Consumer Guide Editors,2001-01-09 The only complete new car buying guide this new edition covers more than 190 passenger cars minivans pickup trucks and sport utility vehicles for 2001 Includes profiles and photos of new models the latest suggested retail and dealer invoice prices for all models and options mileage ratings warranty information and more Signet Special Oversize **Federal Register** ,2013-02 **Consumers Index to Product Evaluations and Information Sources** ,2002 *The Scottish Law Reporter* ,1992

Jeep Tj Trailer Electrical Diagram Book Review: Unveiling the Power of Words

In a world driven by information and connectivity, the ability of words has become more evident than ever. They have the ability to inspire, provoke, and ignite change. Such is the essence of the book **Jeep Tj Trailer Electrical Diagram**, a literary masterpiece that delves deep to the significance of words and their impact on our lives. Published by a renowned author, this captivating work takes readers on a transformative journey, unraveling the secrets and potential behind every word. In this review, we shall explore the book's key themes, examine its writing style, and analyze its overall effect on readers.

https://www.splashdogs.com/files/virtual-library/index.jsp/Mazda_Tribute_2005_User_Manual.pdf

Table of Contents Jeep Tj Trailer Electrical Diagram

1. Understanding the eBook Jeep Tj Trailer Electrical Diagram
 - The Rise of Digital Reading Jeep Tj Trailer Electrical Diagram
 - Advantages of eBooks Over Traditional Books
2. Identifying Jeep Tj Trailer Electrical Diagram
 - Exploring Different Genres
 - Considering Fiction vs. Non-Fiction
 - Determining Your Reading Goals
3. Choosing the Right eBook Platform
 - Popular eBook Platforms
 - Features to Look for in an Jeep Tj Trailer Electrical Diagram
 - User-Friendly Interface
4. Exploring eBook Recommendations from Jeep Tj Trailer Electrical Diagram
 - Personalized Recommendations
 - Jeep Tj Trailer Electrical Diagram User Reviews and Ratings
 - Jeep Tj Trailer Electrical Diagram and Bestseller Lists
5. Accessing Jeep Tj Trailer Electrical Diagram Free and Paid eBooks

- Jeep Tj Trailer Electrical Diagram Public Domain eBooks
 - Jeep Tj Trailer Electrical Diagram eBook Subscription Services
 - Jeep Tj Trailer Electrical Diagram Budget-Friendly Options
6. Navigating Jeep Tj Trailer Electrical Diagram eBook Formats
 - ePub, PDF, MOBI, and More
 - Jeep Tj Trailer Electrical Diagram Compatibility with Devices
 - Jeep Tj Trailer Electrical Diagram Enhanced eBook Features
 7. Enhancing Your Reading Experience
 - Adjustable Fonts and Text Sizes of Jeep Tj Trailer Electrical Diagram
 - Highlighting and Note-Taking Jeep Tj Trailer Electrical Diagram
 - Interactive Elements Jeep Tj Trailer Electrical Diagram
 8. Staying Engaged with Jeep Tj Trailer Electrical Diagram
 - Joining Online Reading Communities
 - Participating in Virtual Book Clubs
 - Following Authors and Publishers Jeep Tj Trailer Electrical Diagram
 9. Balancing eBooks and Physical Books Jeep Tj Trailer Electrical Diagram
 - Benefits of a Digital Library
 - Creating a Diverse Reading Collection Jeep Tj Trailer Electrical Diagram
 10. Overcoming Reading Challenges
 - Dealing with Digital Eye Strain
 - Minimizing Distractions
 - Managing Screen Time
 11. Cultivating a Reading Routine Jeep Tj Trailer Electrical Diagram
 - Setting Reading Goals Jeep Tj Trailer Electrical Diagram
 - Carving Out Dedicated Reading Time
 12. Sourcing Reliable Information of Jeep Tj Trailer Electrical Diagram
 - Fact-Checking eBook Content of Jeep Tj Trailer Electrical Diagram
 - Distinguishing Credible Sources
 13. Promoting Lifelong Learning
 - Utilizing eBooks for Skill Development

- Exploring Educational eBooks
14. Embracing eBook Trends
- Integration of Multimedia Elements
 - Interactive and Gamified eBooks

Jeep Tj Trailer Electrical Diagram Introduction

Jeep Tj Trailer Electrical Diagram Offers over 60,000 free eBooks, including many classics that are in the public domain.

Open Library: Provides access to over 1 million free eBooks, including classic literature and contemporary works. Jeep Tj Trailer Electrical Diagram Offers a vast collection of books, some of which are available for free as PDF downloads, particularly older books in the public domain.

Jeep Tj Trailer Electrical Diagram : This website hosts a vast collection of scientific articles, books, and textbooks. While it operates in a legal gray area due to copyright issues, its a popular resource for finding various publications.

Internet Archive for Jeep Tj Trailer Electrical Diagram : Has an extensive collection of digital content, including books, articles, videos, and more. It has a massive library of free downloadable books.

Free-eBooks Jeep Tj Trailer Electrical Diagram Offers a diverse range of free eBooks across various genres. Jeep Tj Trailer Electrical Diagram Focuses mainly on educational books, textbooks, and business books. It offers free PDF downloads for educational purposes.

Jeep Tj Trailer Electrical Diagram Provides a large selection of free eBooks in different genres, which are available for download in various formats, including PDF.

Finding specific Jeep Tj Trailer Electrical Diagram, especially related to Jeep Tj Trailer Electrical Diagram, might be challenging as theyre often artistic creations rather than practical blueprints. However, you can explore the following steps to search for or create your own Online Searches:

Look for websites, forums, or blogs dedicated to Jeep Tj Trailer Electrical Diagram, Sometimes enthusiasts share their designs or concepts in PDF format.

Books and Magazines Some Jeep Tj Trailer Electrical Diagram books or magazines might include. Look for these in online stores or libraries. Remember that while Jeep Tj Trailer Electrical Diagram, sharing copyrighted material without permission is not legal. Always ensure youre either creating your own or obtaining them from legitimate sources that allow sharing and downloading.

Library Check if your local library offers eBook lending services. Many libraries have digital catalogs where you can borrow Jeep Tj Trailer Electrical Diagram eBooks for free, including popular titles.

Online Retailers: Websites like Amazon, Google Books, or Apple Books often sell eBooks. Sometimes, authors or publishers offer promotions or free periods for certain books.

Authors Website Occasionally, authors provide excerpts or short stories for free on their websites. While this might not be the Jeep Tj Trailer Electrical Diagram full book , it can give you a taste of the authors writing style.

Subscription Services Platforms like Kindle Unlimited or Scribd offer subscription-based access to a wide range of Jeep Tj Trailer Electrical Diagram eBooks, including some popular titles.

FAQs About Jeep Tj Trailer Electrical Diagram Books

How do I know which eBook platform is the best for me? Finding the best eBook platform depends on your reading preferences and device compatibility. Research different platforms, read user reviews, and explore their features before making a choice. Are free eBooks of good quality? Yes, many reputable platforms offer high-quality free eBooks, including classics and public domain works. However, make sure to verify the source to ensure the eBook credibility. Can I read eBooks without an eReader? Absolutely! Most eBook platforms offer webbased readers or mobile apps that allow you to read eBooks on your computer, tablet, or smartphone. How do I avoid digital eye strain while reading eBooks? To prevent digital eye strain, take regular breaks, adjust the font size and background color, and ensure proper lighting while reading eBooks. What the advantage of interactive eBooks? Interactive eBooks incorporate multimedia elements, quizzes, and activities, enhancing the reader engagement and providing a more immersive learning experience. Jeep Tj Trailer Electrical Diagram is one of the best book in our library for free trial. We provide copy of Jeep Tj Trailer Electrical Diagram in digital format, so the resources that you find are reliable. There are also many Ebooks of related with Jeep Tj Trailer Electrical Diagram. Where to download Jeep Tj Trailer Electrical Diagram online for free? Are you looking for Jeep Tj Trailer Electrical Diagram PDF? This is definitely going to save you time and cash in something you should think about. If you trying to find then search around for online. Without a doubt there are numerous these available and many of them have the freedom. However without doubt you receive whatever you purchase. An alternate way to get ideas is always to check another Jeep Tj Trailer Electrical Diagram. This method for see exactly what may be included and adopt these ideas to your book. This site will almost certainly help you save time and effort, money and stress. If you are looking for free books then you really should consider finding to assist you try this. Several of Jeep Tj Trailer Electrical Diagram are for sale to free while some are payable. If you arent sure if the books you would like to download works with for usage along with your computer, it is possible to download free trials. The free guides make it easy for someone to free access online library for download books to your device. You can get free download on free trial for lots of books categories. Our library is the biggest of these that have literally hundreds of thousands of different products categories represented. You will also see that there are specific sites catered to different product types or categories, brands or niches related with Jeep Tj Trailer Electrical Diagram. So depending on what exactly you are searching, you will be able to choose e books to suit your own need. Need to access completely for Campbell Biology Seventh Edition book? Access Ebook without any digging. And by having access to our ebook online or by storing it on your computer, you have convenient answers with Jeep Tj Trailer Electrical Diagram To get started finding Jeep Tj Trailer Electrical Diagram, you are right to find our website which has a comprehensive collection of books online. Our library is the biggest of these that have literally hundreds of thousands of different products represented. You will also see that there are specific sites catered to different categories or niches related with Jeep Tj Trailer Electrical Diagram So depending on what

exactly you are searching, you will be able to choose ebook to suit your own need. Thank you for reading Jeep Tj Trailer Electrical Diagram. Maybe you have knowledge that, people have search numerous times for their favorite readings like this Jeep Tj Trailer Electrical Diagram, but end up in harmful downloads. Rather than reading a good book with a cup of coffee in the afternoon, instead they juggled with some harmful bugs inside their laptop. Jeep Tj Trailer Electrical Diagram is available in our book collection an online access to it is set as public so you can download it instantly. Our digital library spans in multiple locations, allowing you to get the most less latency time to download any of our books like this one. Merely said, Jeep Tj Trailer Electrical Diagram is universally compatible with any devices to read.

Find Jeep Tj Trailer Electrical Diagram :

[mazda tribute 2005 user manual](#)

[mazda b2000 f8 repair manual](#)

[mazda rx8 rx 8 service workshop manual](#)

mazda bravo b25workshop manual

mazda tribute 2005 repair service manual

mba de poche le mba comme si vous lavez

[mc graw hill science](#)

~~mazda speed 6 mazda 6 mps 2005 2008 repair service manual~~

mazda rx 8 owner manual

mazda rx7 service repair manual 1980 1984

mazda protege 97 manual

[mazda b2300 engine manual](#)

mazda5 2005 2010 service and repair manual

[mazda rx 7 service repair manual 1980 1984](#)

mazda b4000 brake repair

Jeep Tj Trailer Electrical Diagram :

Castellano Y Literatura 9 Helena Azpurua; Marianina Alfonzo Descripción. "CASTELLANO Y LITERATURA 9no Grado (3er Año)" * Editorial: Terra Editores * Condición: Usado en perfectas condiciones de uso. Castellano y literatura 9 / Helena Azpurua, Marianina Alfonzo. Publisher: Caracas : Oxford University Press Venezuela, 1999 ; Edition: 1a. ed. ; Description:

215 p. : il. col. ; 27 cm. ; ISBN: 9803700138. ; Subject(s): ... Castellano Y Literatura 9 Actualidad | MercadoLibre Castellano Y Literatura 9 / Helena Azpurua - M. Alfonso .-. U\$S7 ... Castellano y literatura 9 | ISBN 978-980-6189-68-3 - Libro Autor: Helena Azpurua de Alfonso, Materia: Gramática española, ISBN: 978-980-6189-68-3. LIBRO CASTELLANO Y LIT 9NO AZPURUA TERRA alternate_email Contáctenos · place Encontrar sucursales; schedule Llámenos ahora: 02618150119; +58 424 6340208 · Papelería Esteva. more_horiz. Enseñanza educación básica 9no. año. Castellano y literatura : cuaderno didáctico para aprender a aprender, 9no. ... Castellano y literatura 9 / Helena Azpurua ; Marianina Alfonso. by Azpurua ... Redalyc.La imagen de la ciudad en libros de texto ... by C Aranguren · 2009 · Cited by 2 — Azpúrua, Helena y Alfonso, Marianina (2004). Castellano y Literatura. 9º grado. Estado Miranda. Terra Editores. Grupo Editorial Girasol. Referencias. ARANGUREN ... Agencias ISBN << - Cenal Castellano y literatura 9. Autor:Azpurua de Alfonso, Helena Editorial:Editorial Girasol Materia:Gramática española. Publicado:2001-06-01. ISBN 978-980-6189-67 ... Castellano y Literatura 9 - Maracaibo CASTELLANO Y LITERATURA 9. Azpurua - Alfonso, Terra Editores Código del producto: 21068. Textos Escolares | Primaria | Castellano, Literatura, Lectura Y ... Acupuncture: A Comprehensive Text: 9780939616008 Text book on acupuncture. Very deep and requires understanding many other aspects of the individual being. By working with the nature of the individual, we are ... Acupuncture - A Comprehensive Text Standard textbook used worldwide by one of China's leading schools of TCM. Most complete list of points, channels, methods, prescriptions. Full body charts. Acupuncture: A Comprehensive Text by Chen Chiu Hseuh ... Text book on acupuncture. Very deep and requires understanding many other aspects of the individual being. By working with the nature of the individual, we are ... Acupuncture: A Comprehensive Text by Chen Chiu Hseuh It's practically a tome, weighing in at nearly 1000 pages of in-depth information on every aspect of the practice. The authors, from the Traditional Chinese ... Eastland Press - Acupuncture: A Comprehensive Text Compiled by the faculty of one of China's leading schools of traditional medicine, Acupuncture: A Comprehensive Text is among the most authoritative textbooks ... Acupuncture: A Comprehensive Text - Chen Chiu Hseuh Compiled by the faculty of one of China's leading schools of traditional medicine, Acupuncture: A Comprehensive Text is among the most authoritative ... Acupuncture: A Comprehensive Text Acupuncture: A Comprehensive Text ... Authoritative work. Descriptions of more than 1,000 acupuncture points, discussion of techniques etc. 741 p. B/W illus. acupuncture a comprehensive text Acupuncture: A Comprehensive Text by Chen Chiu Hseuh and a great selection of related books, art and collectibles available now at AbeBooks.com. Acupuncture: A Comprehensive Text provides a translation ... by RD Sawyer · 1983 — \$55. Acupuncture: A Comprehensive Text provides a translation of a Chinese medical text compiled by the Shanghai College of Traditional Medicine in 1974 ... Shop all books Acupuncture - A Comprehensive Text. eBook ... Cover image for Acupuncture: From Symbol to Clinical Practice Acupuncture: From Symbol to Clinical Practice. The SAGE Dictionary of Qualitative Management Research Engagingly written by specialists in each area, this dictionary will be the definitive and essential companion to

established textbooks and teaching materials ... The SAGE Dictionary of Qualitative Management Research Engagingly written by specialists in each area, this dictionary will be the definitive and essential companion to established textbooks and teaching materials ... The Sage Dictionary of Qualitative Management Research by R Thorpe · 2021 · Cited by 459 — This dictionary is a companion to a complimentary title, The Dictionary of Quantitative. Management Research, edited by Luiz Moutinho and Graeme Hutcheson, that ... The SAGE Dictionary of Qualitative Management Research Engagingly written by specialists in each area, this dictionary will be the definitive and essential companion to established textbooks and teaching materials ... The SAGE Dictionary of Qualitative Management Research 'This comprehensive work extends general ideas, concepts, and techniques of qualitative research into the realm of management research. The SAGE Dictionary of Qualitative Management Research by MMC Allen · 2009 · Cited by 1 — This dictionary will not only enable researchers to further their knowledge of research perspectives with which they are already familiar, but also facilitate a ... The Sage Dictionary of Qualitative Management Research by DJ Bye · 2009 — The Dictionary is prefaced by an informative nine-page essay entitled What is Management Research? in which the editors put the book into theoretical context. The SAGE dictionary of qualitative management research With over 100 entries on key concepts and theorists, this dictionary of qualitative management research provides full coverage of the field, ... Full article: A Review of "The Sage Dictionary of Qualitative ... by PZ McKay · 2009 — The SAGE Dictionary of Qualitative Management Research offers concise definitions and detailed explanations of words used to describe the ... The Sage Dictionary of Qualitative Management Research The Sage Dictionary of Qualitative Management Research. Bye, Dan J. Reference Reviews; Harlow Vol. 23, Iss. 5, (2009): 28-29. DOI:10.1108/09504120910969005.