

INSTALLATION REQUIREMENTS

Tools and Parts

Gather the required tools and parts before starting installation. Read and follow the instructions provided with any tools listed here.

Tools needed

- Phillips screwdriver
- Hand or electric drill (for wall cabinet installations)
- Measuring tape
- 1" (25 mm) drill bit (for wall cabinet installations)
- Level

Parts needed

- UL listed or CSA approved conduit connector
- UL listed wire connectors

Parts supplied

- # 8-14 x 1" screws - single oven (2), double oven (4)
- Bottom vent (supplied on some models)
- Two # 8-18 x 1/4" screws - bottom vent (supplied on some models)

Check local codes. Check existing electrical supply. See "Electrical Requirements."

It is recommended that all electrical connections be made by a licensed, qualified electrical installer.

Location Requirements

IMPORTANT: Observe all governing codes and ordinances.

- Cabinet opening dimensions that are shown must be used. Given dimensions provide minimum clearance with oven.
- Recessed installation area must provide complete enclosure around the recessed portion of the oven.
- Grounded electrical supply is required. See "Electrical Requirements" section.
- Electrical supply junction box should be located 3" (7.6 cm) maximum below the support surface when the oven is installed in a wall cabinet. A 1" (2.5 cm) minimum diameter hole should have been drilled in the right rear or left rear corner of the support surface to pass the appliance cable through to the junction box.

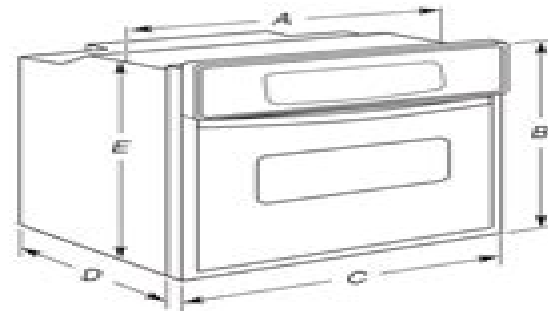
NOTE: For undercounter installation, it is recommended that the junction box be located in the adjacent right or left cabinet. If you are installing the junction box on rear wall behind oven, the junction box must be recessed and located in the upper or lower right or left corner of the cabinet; otherwise, the oven will not fit into the cabinet opening.

- Oven support surface must be solid, level and flush with bottom of cabinet cutout. Floor must be able to support a single oven weight of 140 lbs (63.5 kg) or a double oven weight of 245 lbs (111.1 kg).

Undercounter installation (with cooktop installed above):

Ovens approved for this type of installation have an approval label located on the top of the oven. Refer to undercounter installation instructions for cutout dimensions and approved oven cooktop combinations (separate sheet).

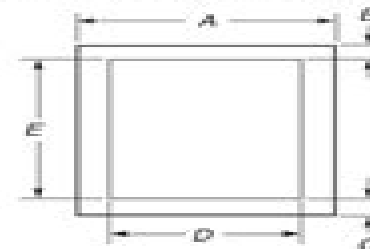
Product Dimensions - Single Oven



- A. 22 1/4" (56.8 cm) max. recessed width
- B. 29" (73.7 cm) max. overall height
- C. 23 1/4" (59.3 cm) overall width
- D. 23" (58.4 cm) max. recessed depth
- E. 27 1/4" (69.9 cm) recessed height

Cabinet Dimensions - Single Oven

Single Oven Undercounter (without cooktop installed above)



- A. 24" (61 cm) min. cabinet width
- B. 1 1/4" (3.8 cm) min. top of cutout to underside of countertop
- C. 5 1/4" (13.3 cm) bottom of cutout to floor
- D. 22 1/4" (57.2 cm) cutout width
- E. 27 1/4" (70.5 cm) min. cutout height

Kitchenaid Convection User Manual

Xiang Xie



Kitchenaid Convection User Manual:

Reviewing **Kitchenaid Convection User Manual**: Unlocking the Spellbinding Force of Linguistics

In a fast-paced world fueled by information and interconnectivity, the spellbinding force of linguistics has acquired newfound prominence. Its capacity to evoke emotions, stimulate contemplation, and stimulate metamorphosis is actually astonishing. Within the pages of "**Kitchenaid Convection User Manual**," an enthralling opus penned by a very acclaimed wordsmith, readers embark on an immersive expedition to unravel the intricate significance of language and its indelible imprint on our lives. Throughout this assessment, we shall delve in to the book is central motifs, appraise its distinctive narrative style, and gauge its overarching influence on the minds of its readers.

https://www.splashdogs.com/public/detail/HomePages/Les_Interdits_De_Claire.pdf

Table of Contents Kitchenaid Convection User Manual

1. Understanding the eBook Kitchenaid Convection User Manual
 - The Rise of Digital Reading Kitchenaid Convection User Manual
 - Advantages of eBooks Over Traditional Books
2. Identifying Kitchenaid Convection User Manual
 - Exploring Different Genres
 - Considering Fiction vs. Non-Fiction
 - Determining Your Reading Goals
3. Choosing the Right eBook Platform
 - Popular eBook Platforms
 - Features to Look for in an Kitchenaid Convection User Manual
 - User-Friendly Interface
4. Exploring eBook Recommendations from Kitchenaid Convection User Manual
 - Personalized Recommendations
 - Kitchenaid Convection User Manual User Reviews and Ratings
 - Kitchenaid Convection User Manual and Bestseller Lists

5. Accessing Kitchenaid Convection User Manual Free and Paid eBooks
 - Kitchenaid Convection User Manual Public Domain eBooks
 - Kitchenaid Convection User Manual eBook Subscription Services
 - Kitchenaid Convection User Manual Budget-Friendly Options
6. Navigating Kitchenaid Convection User Manual eBook Formats
 - ePub, PDF, MOBI, and More
 - Kitchenaid Convection User Manual Compatibility with Devices
 - Kitchenaid Convection User Manual Enhanced eBook Features
7. Enhancing Your Reading Experience
 - Adjustable Fonts and Text Sizes of Kitchenaid Convection User Manual
 - Highlighting and Note-Taking Kitchenaid Convection User Manual
 - Interactive Elements Kitchenaid Convection User Manual
8. Staying Engaged with Kitchenaid Convection User Manual
 - Joining Online Reading Communities
 - Participating in Virtual Book Clubs
 - Following Authors and Publishers Kitchenaid Convection User Manual
9. Balancing eBooks and Physical Books Kitchenaid Convection User Manual
 - Benefits of a Digital Library
 - Creating a Diverse Reading Collection Kitchenaid Convection User Manual
10. Overcoming Reading Challenges
 - Dealing with Digital Eye Strain
 - Minimizing Distractions
 - Managing Screen Time
11. Cultivating a Reading Routine Kitchenaid Convection User Manual
 - Setting Reading Goals Kitchenaid Convection User Manual
 - Carving Out Dedicated Reading Time
12. Sourcing Reliable Information of Kitchenaid Convection User Manual
 - Fact-Checking eBook Content of Kitchenaid Convection User Manual
 - Distinguishing Credible Sources
13. Promoting Lifelong Learning

- Utilizing eBooks for Skill Development
 - Exploring Educational eBooks
14. Embracing eBook Trends
- Integration of Multimedia Elements
 - Interactive and Gamified eBooks

Kitchenaid Convection User Manual Introduction

In this digital age, the convenience of accessing information at our fingertips has become a necessity. Whether its research papers, eBooks, or user manuals, PDF files have become the preferred format for sharing and reading documents. However, the cost associated with purchasing PDF files can sometimes be a barrier for many individuals and organizations. Thankfully, there are numerous websites and platforms that allow users to download free PDF files legally. In this article, we will explore some of the best platforms to download free PDFs. One of the most popular platforms to download free PDF files is Project Gutenberg. This online library offers over 60,000 free eBooks that are in the public domain. From classic literature to historical documents, Project Gutenberg provides a wide range of PDF files that can be downloaded and enjoyed on various devices. The website is user-friendly and allows users to search for specific titles or browse through different categories. Another reliable platform for downloading Kitchenaid Convection User Manual free PDF files is Open Library. With its vast collection of over 1 million eBooks, Open Library has something for every reader. The website offers a seamless experience by providing options to borrow or download PDF files. Users simply need to create a free account to access this treasure trove of knowledge. Open Library also allows users to contribute by uploading and sharing their own PDF files, making it a collaborative platform for book enthusiasts. For those interested in academic resources, there are websites dedicated to providing free PDFs of research papers and scientific articles. One such website is Academia.edu, which allows researchers and scholars to share their work with a global audience. Users can download PDF files of research papers, theses, and dissertations covering a wide range of subjects. Academia.edu also provides a platform for discussions and networking within the academic community. When it comes to downloading Kitchenaid Convection User Manual free PDF files of magazines, brochures, and catalogs, Issuu is a popular choice. This digital publishing platform hosts a vast collection of publications from around the world. Users can search for specific titles or explore various categories and genres. Issuu offers a seamless reading experience with its user-friendly interface and allows users to download PDF files for offline reading. Apart from dedicated platforms, search engines also play a crucial role in finding free PDF files. Google, for instance, has an advanced search feature that allows users to filter results by file type. By specifying the file type as "PDF," users can find websites that offer free PDF downloads on a specific topic. While downloading Kitchenaid Convection User Manual free PDF files is

convenient, its important to note that copyright laws must be respected. Always ensure that the PDF files you download are legally available for free. Many authors and publishers voluntarily provide free PDF versions of their work, but its essential to be cautious and verify the authenticity of the source before downloading Kitchenaid Convection User Manual. In conclusion, the internet offers numerous platforms and websites that allow users to download free PDF files legally. Whether its classic literature, research papers, or magazines, there is something for everyone. The platforms mentioned in this article, such as Project Gutenberg, Open Library, Academia.edu, and Issuu, provide access to a vast collection of PDF files. However, users should always be cautious and verify the legality of the source before downloading Kitchenaid Convection User Manual any PDF files. With these platforms, the world of PDF downloads is just a click away.

FAQs About Kitchenaid Convection User Manual Books

How do I know which eBook platform is the best for me? Finding the best eBook platform depends on your reading preferences and device compatibility. Research different platforms, read user reviews, and explore their features before making a choice. Are free eBooks of good quality? Yes, many reputable platforms offer high-quality free eBooks, including classics and public domain works. However, make sure to verify the source to ensure the eBook credibility. Can I read eBooks without an eReader? Absolutely! Most eBook platforms offer webbased readers or mobile apps that allow you to read eBooks on your computer, tablet, or smartphone. How do I avoid digital eye strain while reading eBooks? To prevent digital eye strain, take regular breaks, adjust the font size and background color, and ensure proper lighting while reading eBooks. What the advantage of interactive eBooks? Interactive eBooks incorporate multimedia elements, quizzes, and activities, enhancing the reader engagement and providing a more immersive learning experience. Kitchenaid Convection User Manual is one of the best book in our library for free trial. We provide copy of Kitchenaid Convection User Manual in digital format, so the resources that you find are reliable. There are also many Ebooks of related with Kitchenaid Convection User Manual. Where to download Kitchenaid Convection User Manual online for free? Are you looking for Kitchenaid Convection User Manual PDF? This is definitely going to save you time and cash in something you should think about. If you trying to find then search around for online. Without a doubt there are numerous these available and many of them have the freedom. However without doubt you receive whatever you purchase. An alternate way to get ideas is always to check another Kitchenaid Convection User Manual. This method for see exactly what may be included and adopt these ideas to your book. This site will almost certainly help you save time and effort, money and stress. If you are looking for free books then you really should consider finding to assist you try this. Several of Kitchenaid Convection User Manual are for sale to free while some are payable. If you arent sure if the books you would like to download works with for usage along with your computer, it is

possible to download free trials. The free guides make it easy for someone to free access online library for download books to your device. You can get free download on free trial for lots of books categories. Our library is the biggest of these that have literally hundreds of thousands of different products categories represented. You will also see that there are specific sites catered to different product types or categories, brands or niches related with Kitchenaid Convection User Manual. So depending on what exactly you are searching, you will be able to choose e books to suit your own need. Need to access completely for Campbell Biology Seventh Edition book? Access Ebook without any digging. And by having access to our ebook online or by storing it on your computer, you have convenient answers with Kitchenaid Convection User Manual To get started finding Kitchenaid Convection User Manual, you are right to find our website which has a comprehensive collection of books online. Our library is the biggest of these that have literally hundreds of thousands of different products represented. You will also see that there are specific sites catered to different categories or niches related with Kitchenaid Convection User Manual So depending on what exactly you are searching, you will be able to choose ebook to suit your own need. Thank you for reading Kitchenaid Convection User Manual. Maybe you have knowledge that, people have search numerous times for their favorite readings like this Kitchenaid Convection User Manual, but end up in harmful downloads. Rather than reading a good book with a cup of coffee in the afternoon, instead they juggled with some harmful bugs inside their laptop. Kitchenaid Convection User Manual is available in our book collection an online access to it is set as public so you can download it instantly. Our digital library spans in multiple locations, allowing you to get the most less latency time to download any of our books like this one. Merely said, Kitchenaid Convection User Manual is universally compatible with any devices to read.

Find Kitchenaid Convection User Manual :

les interdits de claire

~~les indeacutesirables et autres contes fantastiques~~

les fils de constantin

~~les puissances de la nuit deacutetrocirenner le roi des terreurs~~

les petits mythos tome les titans sont durs

les pieds nickeleacutes volume premiegraveverre anneacutée 00

~~les seacuteductrices douce illusion~~

~~les eacuteteacutes meurtriers~~

~~les preacutesidents de agrave nos jours~~

les meilleurs livres eacuterotiques sur kindle classement

les sept larmes dobeacuteron filigrane

les intellectuels faussaires le triomphe meacutediatique des experts en mensonge

les deacutetachements hawk eacuteepervier au tchad

les moissons du futur

les plus belles citations de victor hugo

Kitchenaid Convection User Manual :

worm is the game on steam - Mar 05 2022

worm is the game smash worms or slither trying warning incredibly addicting multiplayer game you are a worm and you slither around looking for food to eat to get longer other worms likewise slither around you seeking for food and trying to cut in front of you

worm hunt snake game io zone oyunu online ücretsiz oyna - Nov 13 2022

worm hunt snake game io zone son solucan kazanır worm hunt snake game io zone solucanlar arasında en büyük ve en güçlü solucanı yetiştirebileceğiniz yeni bir çok oyunculu oyundur bu battle royale oyununda birkaç solucan

worms zone io hungry snake apps on google play - Sep 11 2022

oct 13 2023 relax the rules are simple explore the arena collect all the food you see and grow your worms as big as you can imagine there are no limits stand out from the other players choose a skin from the wardrobe or create your own unique style the further you go the more skins you unlock worms zone is also a pvp action game

worm definition of worm by the free dictionary - Dec 14 2022

worm w3:m n 1 animals any of various invertebrates esp the annelids earthworms etc nematodes roundworms and flatworms having a slender elongated body 2 animals any of various insect larvae having an elongated body such as the silkworm and wireworm

worm hunt crazygames te worm hunt oynayın - Jan 15 2023

yılan worm hunt renkli bir çevrimiçi arenada diğer solucanlara karşı savaştığınız çok oyunculu bir io oyunudur etrafta kıvranarak solucanınızı büyütme için yiyecek ve güçlendiriciler toplayın bir sonraki oyuna geçmek için çeşitli görünüm ve *wormate io adventures non stop* - Sep 23 2023

at wormate io you ll enjoy colorful design plenties of sweets and a serious struggle for the first place with the best gamblers from around the world start wormate browser game online and make your pet the longest strongest and fastest it s absolutely free and very funny

worm nedir ne demek - May 07 2022

worm ne demek kurt dökme kurtlarını dökme kurt aramak solucan gibi kıvrılarak ilerlemek köpeğin dilaltı sinirini kesmek kurt solucan askarit

worm wikipedia - Aug 22 2023

pseudoceros dimidiatus a flatworm in taxonomy worm refers to an obsolete grouping vermes used by carl linnaeus and jean baptiste lamarck for all non arthropod invertebrate animals now seen to be polyphyletic in 1758 linnaeus created the first hierarchical classification in his systema naturae 4

worm games play worm games online on a game - Dec 02 2021

you can really worm your way into our wonderful worm games team up with these creepy crawlies while they get involved in a few truly colossal battles they re going to find themselves in the middle of some really intense feeding frenzies in a series of free to play io games

tureng worm türkçe İngilizce sözlük - Jul 21 2023

sock headed worm people i çorap başlı solucan insanlar İngilizce türkçe online sözlük tureng kelime ve terimleri çevir ve farklı aksanlarda sesli dinleme worm kurt worm snake yılan worm kurtçuk guinea worm gine kurdu ne demek

worm İngilizce türkçe sözlük cambridge dictionary - Aug 10 2022

worm çevir kurt solucan solucan kurt ağır ağır dikkatle ilerlemek ağzından zorla laf almak daha fazlasını öğrenmek için bkz cambridge İngilizce türkçe sözlük

worm hunt play on crazygames - Nov 01 2021

oct 18 2023 worm hunt is a multiplayer io game where you battle against other worms in a colorful online arena squirm around picking up food and boosters to grow your worm bigger use your coins to buy various skins and upgrades to take into the next game

worm türkçe Çeviri bab la İngilizce türkçe sözlük - Feb 16 2023

solucan isim more vert a worm is computer code that spreads without user interaction expand more solucan kullanıcı etkileşimi olmaksızın yayılan bilgisayar kodudur worm ayrıca wolf volume up kurt isim en

what is a worm cisco - Jun 08 2022

a worm is a type of malware or malicious software that can replicate rapidly and spread across devices within a network as it spreads a worm consumes bandwidth overloading infected systems and making them unreliable or unavailable worms can also change and delete files or introduce other malware

worms solucan virüsü nedir worms solucan virüsüne karşı - Apr 06 2022

feb 9 2021 solucan virüsü tehlikeli virüs türlerinden biridir tehlikeli olmasının sebebi herhangi bir internet sitesinden bulaşabiliyor olması ayrıca solucan virüsünün dosya veya belgeye saklanmasına gerek yoktur yani size birinin kasıtlı olarak

bulaştırmasına gerek duymadan bilgisayarınızı ele geçirebilir peki solucan

bilgisayar virüsü veya bilgisayar solucanı nedir kaspersky - Oct 12 2022

ağ solucanının birbirini izleyen her bir kopyası da kendi kendine çoğalabildiği için virüsler internet ve bilgisayar ağları yoluyla hızla yayılabilir bilgisayar virüsü veya bilgisayar solucanı makineye virüs bulaştığından haberiniz olmadan

bilgisayarlarda veya bilgisayar ağları aracılığıyla kendi kendine

worm segmented annelid invertebrate britannica - Apr 18 2023

worm any of various unrelated invertebrate animals that typically have soft slender elongated bodies worms usually lack appendages polychaete annelids are a conspicuous exception worms are members of several invertebrate phyla including platyhelminthes flatworms annelida segmented

home worms zone a slithery snake - Jul 09 2022

start growing a worm right now trying to get a real anaconda a small worm never gets stuck in one place he is ready to bite everyone however there is a danger of being eaten by a more successful player

wormax2 io free to play multiplayer game - May 19 2023

control your worm eat food defeat other players and become the largest worm on the server log in team up with your friends and play together new game in the io genre

worm synonyms 368 synonyms antonyms for worm thesaurus - Jan 03 2022

find 368 ways to say worm along with antonyms related words and example sentences at thesaurus com the world s most trusted free thesaurus

worm haberleri son dakika worm haber güncel gelişmeler - Mar 17 2023

may 21 2019 worm son dakika worm haberleri ile ilgili milliyet e eklenen tüm haberler bu sayfada yer almaktadır geçmişte yaşanan worm gelişmeleri bugün yaşanan en flaş gelişmeler ve çok daha

wormworld connect servers skins and more - Jun 20 2023

jan 1 2021 wormworld is an online wormate game with exciting features choose your server save kills and hs customize the background color and select a unique wormworld skin join us now and create your own skin at skinlab

worm world connect bu firefox tr uzantısını yükle mozilla - Feb 04 2022

sep 10 2021 worm world connect geliştiren wormworld worm world connect geliştiren wormworld conexão de times e pessoas bu uzantıyı kullanmak için firefox a ihtiyacınız var firefox u indir ve uzantıyı yükle dosyayı indir 332

riyeesa sweet nudes english edition pdf download only - Jul 02 2022

web riyeesa sweet nudes english edition pdf introduction riyeesa sweet nudes english edition pdf download only human german edward edgeworth 1915

riyeesa showing off 1 for hdstudionudes at thenude com - Jan 28 2022

web dec 19 2013 view large cover of riyeesa showing off 1 from hdstudionudes released on 2013 12 19 featuring riyeesa photographed by davidnudesworld

[riyeesa sweet nudes english edition edición kindle](#) - Dec 07 2022

web riyeesa sweet nudes english edition ebook wise tatyana weisenbarger david amazon com mx tienda kindle

amigurumi personalised gifts raesa art instagram - Mar 30 2022

web 20 3k followers 1 686 following 153 posts see instagram photos and videos from crochet amigurumi personalised gifts raesa art

riyeesa sweet nudes english edition by tatyana wise david - Aug 03 2022

web nicole s blog riyeesa sweet nudes english edition ebook wise nicole s blog alla sweet nudes english edition ebook wise tatyana planetpasadena david nudes com presents riyeesa enjoy over 100 original and high quality art nudes from her portfolio on david nudes com about riyeesa don t let riyeesa s tiny frame fool you this girl is full of

download riyeesa amazing body hdstudionudes com - Feb 26 2022

web in her spare time riyeesa is learning english and helping homeless animals believe it or not she doesn t exercise much and loves to eat macaroni we first met riyeesa when she came in for a photo shoot with two other models

riyeesa sweet nudes english edition format kindle amazon fr - Oct 05 2022

web achetez et téléchargez ebook riyeesa sweet nudes english edition boutique kindle subjects themes amazon fr

[riyeesa sweet nudes english edition kindle ausgabe amazon de](#) - Apr 11 2023

web riyeesa sweet nudes english edition ebook wise tatyana weisenbarger david amazon de kindle shop

riyeesa sweet nudes english edition versión kindle - Jan 08 2023

web lee ahora en digital con la aplicación gratuita kindle

[ryesa 哔哩哔哩 ryesaryesa twitter](#) - Dec 27 2021

web jan 15 2021 ryesa 哔哩哔哩 sg chinese f 27 sub i share lewds not nudes not yet at least i re tweet stuffs that turns me on not keen in meet ups

[riyeesa sweet nudes kindle edition amazon ca](#) - Jun 13 2023

web riyeesa sweet nudes ebook wise tatyana weisenbarger david amazon ca kindle store

[riyeesa sweet nudes english edition kindle editie amazon nl](#) - May 12 2023

web riyeesa sweet nudes english edition ebook wise tatyana weisenbarger david amazon nl kindle store

riyeesa sweet nudes by tatyana wise goodreads - Feb 09 2023

web kindle 5 99 rate this book riyeesa sweet nudes tatyana wise david weisenbarger photographer 0 00 0 ratings0 reviews

david nudes com presents riyeesa enjoy over 100 original and high quality art nudes from her portfolio on david nudes com about riyeesa don t let riyeesa s tiny frame fool you this girl is full of energy strength and

riyeesa sweet nudes english edition formato kindle - Sep 04 2022

web riyeesa sweet nudes english edition ebook wise tatyana weisenbarger david amazon it kindle store

riyeesa sweet nudes english edition by tatyana wise david - Apr 30 2022

web riyeesa sweet nudes english edition by tatyana wise david weisenbarger author reserve lasd org 2023 08 13 20 38 48

subject riyeesa sweet nudes english edition by tatyana wise david weisenbarger keywords riyeesa sweet nudes english

edition by tatyana wise david weisenbarger created

riyeesa sweet nudes english edition by tatyana wise david - Jun 01 2022

web riyeesa sweet nudes english edition by tatyana wise david weisenbarger as one of the most working sellers here will thoroughly be associated with by the best options to review so once you need the

riyeesa sweet nudes kindle edition amazon co uk - Jul 14 2023

web david nudes com presents riyeesa enjoy over 100 original and high quality art nudes from her portfolio on david nudes com about riyeesa don t let riyeesa s tiny frame fool you this girl is full of energy strength and focus she knows exactly what she wants out of life and is not afraid to go for it

riyeesa sweet nudes david weisenbarger google books - Mar 10 2023

web david nudes presents riyeesa in amazing art nudes enjoy over 100 original and high quality art nudes from her portfolio on david nudes about riyeesa hey guys modeling has always been

riyeesa sweet nudes kindle edition amazon com - Aug 15 2023

web jan 2 2011 riyeesa sweet nudes kindle edition by wise tatyana weisenbarger david download it once and read it on your kindle device pc phones or tablets use features like bookmarks note taking and highlighting while reading riyeesa sweet nudes

riyeesa sweet nudes english edition ebook kindle - Nov 06 2022

web compre riyeesa sweet nudes english edition de wise tatyana weisenbarger david na amazon com br confira também os ebooks mais vendidos lançamentos e livros digitais exclusivos

somewhere in my memory full orchestra sheet music plus - Mar 18 2022

web print and download somewhere in my memory full orchestra sheet music music notes for score sheet music by john

williams kmn music at sheet music plus h0 666007 761745

john williams conductor scores - Jan 28 2023

web for orchestra full score hal leonard 4490418 complete set of score and parts hal leonard 4490417 transcribed for concert

band by paul lavender full score hal leonard 4003123 complete set of score and parts hal leonard 4003122 john williams signature edition sound the bells for orchestra full score hal leonard 4490416

realizing a full orchestral score with musescore and linuxsampler - Nov 25 2022

web may 10 2013 once the orchestra was set up in linuxsampler i left the output of each instrument set to maximum the default and created a test score in musescore with slow 4 4 whole notes one per instrument per bar while playing the score i used musescore s mixer to adjust the levels until each instrument was playing at an equal mezzo forte

memory from cats hl full orchestra hal leonard online - Jun 20 2022

web series hl full orchestra score parts composer andrew lloyd webber arranger bob lowden level 3 4 lowden grades 3 4 please note this item will be printed at the time of ordering and will ship as soon as possible usually within 3 5 days

memory full orchestra additional score by j w pepper - Feb 26 2023

web buy memory full orchestra additional score by at jwpepper com orchestra sheet music lowden grades 3 4

memory full orchestra score full pdf ai classmonitor - Jul 02 2023

web scorevoices of memory variations for orchestra by nicholas maw full orchestra score item 12 0571521010voices of memory full orchestra score nicholas mawbuy somewhere in my memory full score by john at jwpepper com orchestra sheet music

somewhere in my memory from home alone conductor score full score - Apr 18 2022

web somewhere in my memory from home alone conductor score full score orchestra by john williams written for purchase and print sheet music now

memory full score pdf free sheet music free scores com - Jun 01 2023

web memory full score instruments piano 27 orchestra band 14 choir vocal 10 other instruments 8 violin fiddle 7 cello violoncello 7 12 instruments level not defined to evaluate 40 beginner 0 easy 3 intermediate 17 advanced 4 expert 4 genres romantic 17 contemporary 14 classical 8 baroque 7 march 5 modern classical

memory full orchestra by lowden j w pepper sheet music - Sep 04 2023

web buy memory full orchestra by lowden at jwpepper com orchestra sheet music lowden grades 3 4

memory full orchestra score download booklibrary website - Aug 03 2023

web memory full orchestra score is available for free download in a number of formats including epub pdf azw mobi and more you can also read the full text online using our ereader anywhere anytime download ebooks through an incredibly easy to use online platform optimised for desktops tablets and mobile

memory full orchestra score db csda org - Apr 30 2023

web orchestra librarians and music archivists volume 1 oxford university press divided into two parts this book shows how

human memory influences the organization of music the first part presents ideas about memory and perception from cognitive psychology and the second part of the book shows how these concepts are exemplified in music

memory full orchestra score whichissed visionaustralia org - May 20 2022

web sep 15 2023 memory full orchestra score interactive san francisco symphony keeping score reviews wymondham choral society norfolk uk love actually 2003 full cast amp crew imdb messiah in full score dover miniature music scores j w pepper sheet music 50 fun things to do in atlanta top things to do in linn records scottish

somewhere in my memory for full orchestra musicsheets org - Dec 27 2022

web free download somewhere in my memory for full orchestra music sheet with advanced difficulty in best music sheet notes website read online preview of somewhere in my memory for full orchestra digital music sheet in pdf format

[memory orchestra score pdf txt pdfcookie](#) - Mar 30 2023

web download view memory orchestra score as pdf for free more details words 1 422 pages 4 preview full text music by andrew lloyd webber arrangement by fedor vrtacnik

memory full orchestra score tax v1 demos co - Aug 23 2022

web jun 11 2023 memory full orchestra score that you are looking for memory full orchestra score is at hand in our book gathering an online access to it is set as public so you can get it immediately tax v1 demos co uk 1 4

memory full orchestra score full pdf wrbb neu - Oct 05 2023

web 2 memory full orchestra score 2022 12 27 full score by john at jwpepper com orchestra sheet music the heartwarming and instantly recognized theme from the somewhere in my memory full score by john j w pepper piano songbooks and sheet music guitar bass and folk instruments educational piano vocal choral and

memory full orchestra score autoconfig ablogtwatch com - Sep 23 2022

web memory full orchestra score 3 3 carefully reviewed and selected from 126 submissions this year s post symposium edition contains peer reviewed and revised articles centered around the conference theme music mind and embodiment it is divided into 6 sections devoted to various sound and technology issues with a particular

[musical memory inside the orchestra](#) - Feb 14 2022

web play musical memory online from the activity guide musical games play this fun memory game online right now or print a downloadable version here to play at home you can also purchase them in our online store to have a beautiful packaged set mailed directly to you find this and other games in the full activity guide musical games

sheet music andrew lloyd webber memory from cats orchestra score - Oct 25 2022

web andrew lloyd webber s easy piano hit memory from the hugely popular musical cats andrew lloyd webber s easy piano hit memory from the hugely popular musical cats 4 50 gbp sold by musicroom uk

somewhere in my memory from home alone conductor score full score - Jul 22 2022

web somewhere in my memory from home alone conductor score full score by larry mooreorchestra digital sheet music

somewhere in my memory from home alone conductor score full score 5 00 4 75 instant