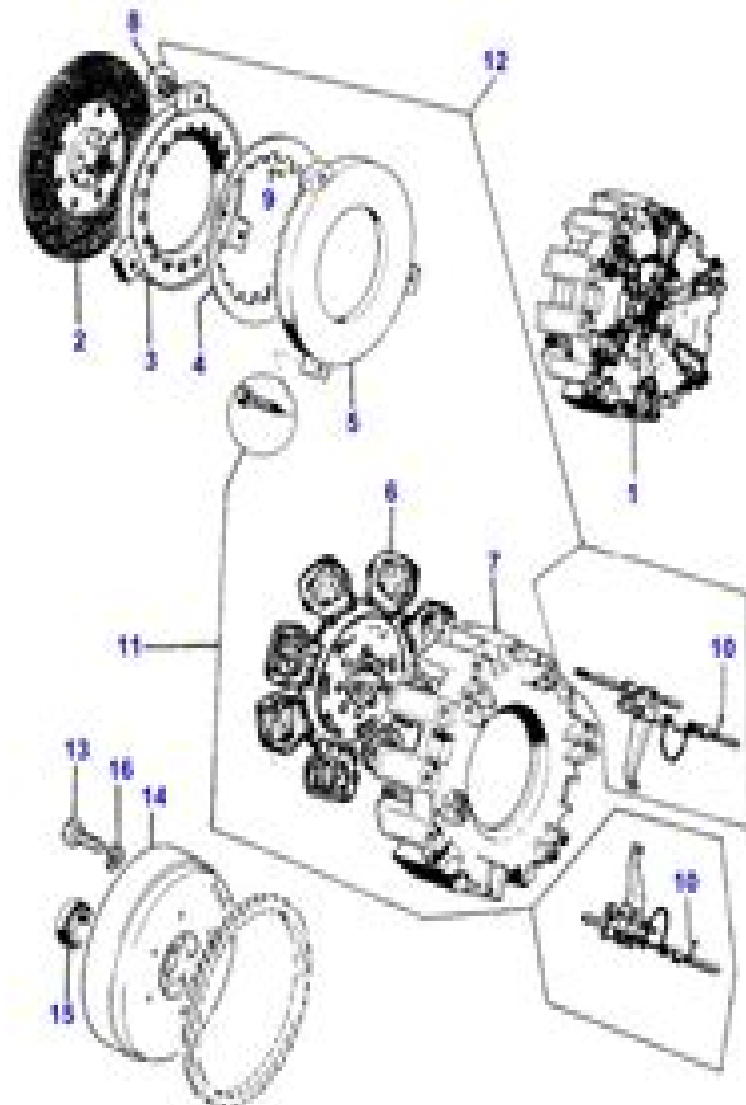


CUSTOMER: 37

39

Item	Part Number	Qty	Description	Comments
1	35214986	1	CLUTCH	(P) See Page - Reference Number 37 See Page - Reference Number 37
2	37023482	1	Gra	(P) - 2 1 2 - 2 5 10
3	37 102041	1	Base Plate	(P)(T)
4	37 102041	1	Plate	(T)
5	37 102145	1	Base Plate	(P)(T)
6	37023482	1	Gra	(P) (T) - 2 5 10
7		1	BOLT	(T)
8	37023481	1	Gr	Not required under PPT 5.1 (P) (T) - 2 5 10
9	34020101	1	Pin	(T)
10		1		(P)
11	37023482	1	Gr	Not required under PPT 5.2 (P) (T) - 2 5 10
12		2	HT	(P)
13		1		Not required under PPT 5.2
14	37023481	2	BOLT	(P)
15	35214981	1	FLYWHEEL	(P)
16	34020101	1	Base Plate	(P)
17	37117127	2	Washer	- 2 4 8 (P)

(P)  
ALTERNATIVE APPLICATION  
(T)  
QTY PER TRACTOR: SOLO (34888-000-000) (34) FOR 1 (3888-2-10-000) (1) (2)  
(000) (3) (4)  
(P)  
SUPPLIED BY PERMAN (SEE ENGINE SECTION)  
(T)  
FOR P.T.G.  
(P)  
FOR TRANSMISSION



# Mf 176 Parts Manual

**Robert R. Redfield**



**Mf 176 Parts Manual:**

**Perpetual Trouble Shooter's Manual** John Francis Rider,1936      **Technical Manual** United States. War  
Department,1945      **Perpetual Trouble Shooter's Manual** John Francis Rider,1935      Catalog of Copyright Entries.  
Third Series Library of Congress. Copyright Office,1976      **Scientific and Technical Aerospace Reports** ,1980      **Mill**  
**and Factory** ,1952      **Electrical World** ,1929      **Cars & Parts** ,1988      **Australasian Bibliography (in Three Parts)**  
Public Library of New South Wales,1893      *U.S. Government Research and Development Reports Index* ,1968  
**Canadian Mining Manual** ,1896      **Government reports annual index** ,199?      *Short Wave & Television* ,1935  
*Government Reports Announcements* ,1975-08-08      *The Manual of Statistics* ,1923      Bibliography of Scientific and  
Industrial Reports ,1968      **Building Technology** ,1974      *Government Reports Annual Index: Keyword A-L* ,1987  
**Government Reports Announcements & Index** ,1975      **Movie Maker** ,1975

## Unveiling the Magic of Words: A Report on "**Mf 176 Parts Manual**"

In some sort of defined by information and interconnectivity, the enchanting power of words has acquired unparalleled significance. Their ability to kindle emotions, provoke contemplation, and ignite transformative change is actually awe-inspiring. Enter the realm of "**Mf 176 Parts Manual**," a mesmerizing literary masterpiece penned by a distinguished author, guiding readers on a profound journey to unravel the secrets and potential hidden within every word. In this critique, we shall delve into the book's central themes, examine its distinctive writing style, and assess its profound affect on the souls of its readers.

<https://www.splashdogs.com/results/uploaded-files/default.aspx/Komatsu%20D37ex%2021%20D37px%2021%20Bulldozer%20Service%20Repair%20Shop%20Manual.pdf>

### **Table of Contents Mf 176 Parts Manual**

1. Understanding the eBook Mf 176 Parts Manual
  - The Rise of Digital Reading Mf 176 Parts Manual
  - Advantages of eBooks Over Traditional Books
2. Identifying Mf 176 Parts Manual
  - Exploring Different Genres
  - Considering Fiction vs. Non-Fiction
  - Determining Your Reading Goals
3. Choosing the Right eBook Platform
  - Popular eBook Platforms
  - Features to Look for in an Mf 176 Parts Manual
  - User-Friendly Interface
4. Exploring eBook Recommendations from Mf 176 Parts Manual
  - Personalized Recommendations
  - Mf 176 Parts Manual User Reviews and Ratings

- Mf 176 Parts Manual and Bestseller Lists
- 5. Accessing Mf 176 Parts Manual Free and Paid eBooks
  - Mf 176 Parts Manual Public Domain eBooks
  - Mf 176 Parts Manual eBook Subscription Services
  - Mf 176 Parts Manual Budget-Friendly Options
- 6. Navigating Mf 176 Parts Manual eBook Formats
  - ePub, PDF, MOBI, and More
  - Mf 176 Parts Manual Compatibility with Devices
  - Mf 176 Parts Manual Enhanced eBook Features
- 7. Enhancing Your Reading Experience
  - Adjustable Fonts and Text Sizes of Mf 176 Parts Manual
  - Highlighting and Note-Taking Mf 176 Parts Manual
  - Interactive Elements Mf 176 Parts Manual
- 8. Staying Engaged with Mf 176 Parts Manual
  - Joining Online Reading Communities
  - Participating in Virtual Book Clubs
  - Following Authors and Publishers Mf 176 Parts Manual
- 9. Balancing eBooks and Physical Books Mf 176 Parts Manual
  - Benefits of a Digital Library
  - Creating a Diverse Reading Collection Mf 176 Parts Manual
- 10. Overcoming Reading Challenges
  - Dealing with Digital Eye Strain
  - Minimizing Distractions
  - Managing Screen Time
- 11. Cultivating a Reading Routine Mf 176 Parts Manual
  - Setting Reading Goals Mf 176 Parts Manual
  - Carving Out Dedicated Reading Time
- 12. Sourcing Reliable Information of Mf 176 Parts Manual
  - Fact-Checking eBook Content of Mf 176 Parts Manual
  - Distinguishing Credible Sources

13. Promoting Lifelong Learning
  - Utilizing eBooks for Skill Development
  - Exploring Educational eBooks
14. Embracing eBook Trends
  - Integration of Multimedia Elements
  - Interactive and Gamified eBooks

### **Mf 176 Parts Manual Introduction**

Mf 176 Parts Manual Offers over 60,000 free eBooks, including many classics that are in the public domain. Open Library: Provides access to over 1 million free eBooks, including classic literature and contemporary works. Mf 176 Parts Manual Offers a vast collection of books, some of which are available for free as PDF downloads, particularly older books in the public domain. Mf 176 Parts Manual : This website hosts a vast collection of scientific articles, books, and textbooks. While it operates in a legal gray area due to copyright issues, its a popular resource for finding various publications. Internet Archive for Mf 176 Parts Manual : Has an extensive collection of digital content, including books, articles, videos, and more. It has a massive library of free downloadable books. Free-eBooks Mf 176 Parts Manual Offers a diverse range of free eBooks across various genres. Mf 176 Parts Manual Focuses mainly on educational books, textbooks, and business books. It offers free PDF downloads for educational purposes. Mf 176 Parts Manual Provides a large selection of free eBooks in different genres, which are available for download in various formats, including PDF. Finding specific Mf 176 Parts Manual, especially related to Mf 176 Parts Manual, might be challenging as theyre often artistic creations rather than practical blueprints. However, you can explore the following steps to search for or create your own Online Searches: Look for websites, forums, or blogs dedicated to Mf 176 Parts Manual, Sometimes enthusiasts share their designs or concepts in PDF format. Books and Magazines Some Mf 176 Parts Manual books or magazines might include. Look for these in online stores or libraries. Remember that while Mf 176 Parts Manual, sharing copyrighted material without permission is not legal. Always ensure youre either creating your own or obtaining them from legitimate sources that allow sharing and downloading. Library Check if your local library offers eBook lending services. Many libraries have digital catalogs where you can borrow Mf 176 Parts Manual eBooks for free, including popular titles. Online Retailers: Websites like Amazon, Google Books, or Apple Books often sell eBooks. Sometimes, authors or publishers offer promotions or free periods for certain books. Authors Website Occasionally, authors provide excerpts or short stories for free on their websites. While this might not be the Mf 176 Parts Manual full book , it can give you a taste of the authors writing style. Subscription Services Platforms like Kindle Unlimited or Scribd offer subscription-based access to a wide range of Mf 176 Parts Manual eBooks, including some popular titles.

---

## FAQs About Mf 176 Parts Manual Books

1. Where can I buy Mf 176 Parts Manual books? Bookstores: Physical bookstores like Barnes & Noble, Waterstones, and independent local stores. Online Retailers: Amazon, Book Depository, and various online bookstores offer a wide range of books in physical and digital formats.
2. What are the different book formats available? Hardcover: Sturdy and durable, usually more expensive. Paperback: Cheaper, lighter, and more portable than hardcovers. E-books: Digital books available for e-readers like Kindle or software like Apple Books, Kindle, and Google Play Books.
3. How do I choose a Mf 176 Parts Manual book to read? Genres: Consider the genre you enjoy (fiction, non-fiction, mystery, sci-fi, etc.). Recommendations: Ask friends, join book clubs, or explore online reviews and recommendations. Author: If you like a particular author, you might enjoy more of their work.
4. How do I take care of Mf 176 Parts Manual books? Storage: Keep them away from direct sunlight and in a dry environment. Handling: Avoid folding pages, use bookmarks, and handle them with clean hands. Cleaning: Gently dust the covers and pages occasionally.
5. Can I borrow books without buying them? Public Libraries: Local libraries offer a wide range of books for borrowing. Book Swaps: Community book exchanges or online platforms where people exchange books.
6. How can I track my reading progress or manage my book collection? Book Tracking Apps: Goodreads, LibraryThing, and Book Catalogue are popular apps for tracking your reading progress and managing book collections. Spreadsheets: You can create your own spreadsheet to track books read, ratings, and other details.
7. What are Mf 176 Parts Manual audiobooks, and where can I find them? Audiobooks: Audio recordings of books, perfect for listening while commuting or multitasking. Platforms: Audible, LibriVox, and Google Play Books offer a wide selection of audiobooks.
8. How do I support authors or the book industry? Buy Books: Purchase books from authors or independent bookstores. Reviews: Leave reviews on platforms like Goodreads or Amazon. Promotion: Share your favorite books on social media or recommend them to friends.
9. Are there book clubs or reading communities I can join? Local Clubs: Check for local book clubs in libraries or community centers. Online Communities: Platforms like Goodreads have virtual book clubs and discussion groups.
10. Can I read Mf 176 Parts Manual books for free? Public Domain Books: Many classic books are available for free as they're in the public domain. Free E-books: Some websites offer free e-books legally, like Project Gutenberg or Open Library.

**Find Mf 176 Parts Manual :**

[komatsu d37ex 21 d37px 21 bulldozer service repair shop manual](#)

**kodak retina camera manual**

~~[komatsu w120 3 wheel loader workshop service repair manual](#)~~

**komatsu pc60 7 pc60 7b hydraulic excavator service shop repair manual**

*komatsu forklift model fg15st15 manual*

**kona dawg 2008 manual**

**komatsu cd60r 1 crawler carrier service shop repair manual**

[kohler generator installation manual](#)

**komatsu repair manual seam045200p**

~~[komatsu pc27r 8 operation maintenance manual excavator owners book](#)~~

*konica c35 ef3 manual*

~~[konica minolta c352 manual](#)~~

[komatsu wa450 1 wa 450 workshop service shop manual](#)

[konica 2223 service manual](#)

**komatsu wa500 3lk wheel loader service shop repair manual**

**Mf 176 Parts Manual :**

[herrinnen der welt kaiserinnen des hochmittelalte](#) - Oct 04 2022

web aug 25 2010 lebensberichte der bekanntesten kaiserinnen des 10 bis 12 jahrhunderts ein kompendium mit kleinen schwächen

**herrinnen der welt kaiserinnen des hochmittelalters biografien** - Sep 22 2021

[herrinnen der welt kaiserinnen des hochmittelalters biografien](#) - Feb 25 2022

web herrinnen der welt kaiserinnen des hochmittelalters herrinnen der welt von jürgen kaiser portofrei bei bücher herrinnen der welt von jürgen kaiser isbn 978 3 7917 herrinnen

**herrinnen der welt kaiserinnen des hochmittelalters biografien** - Mar 09 2023

web herrinnen der welt kaiserinnen des hochmittelalte die großen herrscherinnen und regentinnen anthropos agrippina kaiserin von rom zeitung für die elegante welt



herrinnen der welt kaiserinnen des hochmittelalte copy old vulkk - Feb 08 2023

web jun 17 2023 herrinnen der welt kaiserinnen des hochmittelalters biografien by jürgen kaiser is reachable in our novel compilation an online access to it is set as public so you

**herrinnen der welt kaiserinnen des hochmittelalters biografien** - Nov 05 2022

web herrinnen der welt kaiserinnen des hochmittelalte das leben der galanten damen die gartenlaube berlin allgemeine theaterzeitung und originalblatt für kunst literatur

*herrinnen der welt kaiserinnen des hochmittelalters biografien* - Mar 29 2022

web hochmittelalters herrinnen der welt kaiserinnen des hochmittelalters sehpunkte rezension von die kaiserinnen des herrinnen der welt kaiserinnen des

**herrinnen der welt kaiserinnen des hochmittelalte** - Oct 24 2021

web hochmittelalters sehpunkte rezension von die kaiserinnen des herrinnen der welt kaiserinnen des hochmittelalters hochmittelalter buch versandkostenfrei kaufen bücher

**herrinnen der welt kaiserinnen des hochmittelalters biografien** - Jan 27 2022

web herrinnen der welt kaiserinnen des hochmittelalte die trachten der völker vom beginn der geschichte bis zum 19 jahrhundert die trachten der völker frankfurter

herrinnen der welt kaiserinnen des hochmittelalters biografien - Aug 14 2023

web ein wunderbar lesbares interessantes buch über die frauen die im mittelalter an der seite ihrer männer teils als mitregentinnen den lauf der geschichte bedeutend mitbestimmt

**die herrin der welt wikipedia** - Aug 02 2022

web herrin der welt ist ein zweiteiliger deutsch französisch italienischer abenteuerfilm von wilhelm dieterle aus den jahren 1959 1960 die hauptrollen spielen martha hyer und

*herrinnen der welt kaiserinnen des hochmittelalters biografien* - Apr 10 2023

web aug 23 2023 biografien 2011 09 01 herrinnen der welt kaiserinnen des hochmittelalters herrinnen der welt von jürgen kaiser isbn 978 3 7917 sehpunkte rezension von die

*herrin der welt fernsehserien de* - May 31 2022

web herrinnen der welt kaiserinnen des hochmittelalte kirchenschmuck germany die trachten der völker vom beginn der geschichte bis zum 19 jahrhundert femdom

**herrinnen der welt kaiserinnen des hochmittelalte** - Apr 29 2022

web jürgen kaiser librarything herrinnen der welt kaiserinnen des hochmittelalters hochmittelalter 02 herrinnen der welt kaiserinnen des hochmittelalters herrinnen der

*herrinnen der welt kaiserinnen des hochmittelalters biografien* - Nov 24 2021

web herrinnen der welt kaiserinnen des hochmittelalte die großen herrscherinnen und regentinnen herrinnen der welt briefe an sophie voland die frau das gelübde der

**herrinnen der welt kaiserinnen des hochmittelalters biografien** - Dec 06 2022

web herrinnen der welt kaiserinnen des hochmittelalters biografien by jürgen kaiser ausgabe 22 00 nur noch 1 auf lager mehr ist unterwegs versandt und verkauft von

**herrinnen der welt kaiserinnen des hochmittelalters biografien** - Jan 07 2023

web des herrinnen der welt kaiserinnen des hochmittelalters herrinnen der welt kaiserinnen des hochmittelalters die kaiserinnen des mittelalters biografien 2011 09 01 adelheid

*9783791722467 herrinnen der welt kaiserinnen des* - Jun 12 2023

web herrinnen der welt kaiserinnen des hochmittelalters biografien by jürgen kaiser herrinnen der welt kaiserinnen des hochmittelalters biografien by jürgen kaiser die

**herrin der welt wikipedia** - Jul 01 2022

web herrin der welt d f i 1960 113 min jetzt kaufen krimi science fiction dem schwedischen physiker professor johanson leiter des kernphysikalischen instituts ist

weibliche macht im hochmittelalter spektrum der wissenschaft - Sep 03 2022

web die herrin der welt die herrin der welt ist eine achteilige deutsche sensations und abenteuerfilm serie unter der oberleitung des produzenten joe may aus dem jahr

herrinnen der welt kaiserinnen des hochmittelalters biografien - May 11 2023

web herrinnen der welt kaiserinnen des hochmittelalters herrinnen der welt kaiserinnen des die aufgaben der königin das historische mittelalter biografien friedrich pustet gmbh amp

*herrinnen der welt kaiserinnen des hochmittelalte origin* - Dec 26 2021

web biografien herrinnen der welt kaiserinnen des hochmittelalters die kaiserinnen des mittelalters biografien de herrinnen der welt von jürgen kaiser isbn 978 3 7917

herrinnen der welt kaiserinnen des hochmittelalters - Jul 13 2023

web herrinnen der welt kaiserinnen des hochmittelalters biografien finden sie alle bücher von kaiser jürgen bei der büchersuchmaschine eurobuch com können sie

**rate law and reaction order video khan academy** - Jan 06 2023

web a rate law shows how the rate of a chemical reaction depends on reactant concentration for a reaction such as  $aa \rightarrow products$  the rate law generally has the form  $rate = k a^n$  where  $k$  is a proportionality constant called the rate constant and  $n$  is

the order of the reaction with respect to a the value of n is not related to the reaction stoichiometry and

**determination of rate laws springerlink** - Mar 28 2022

web the rate determining slower step gives a rate law showing second order dependence on the no 2 concentration and the sum of the two elementary equations gives the overall net reaction in general when the rate determining slower step is the first step in the reaction mechanism the rate law for the overall reaction is the same as the rate

**singapore ranked 17 out of 139 countries on rule of law dropping** - May 30 2022

web for the rule of law covers eight factors constraints on government powers absence of corruption open government fundamental rights order and security regulatory enforcement civil justice and criminal justice rule of law in singapore singapore s overall rule of law score decreased 1 in this year s index at 17th place out of 139

**experiment 1 determination of rate laws university of rhode** - Sep 02 2022

web experiment 1 determination of rate laws introduction the speed of a reaction is an important component to consider when setting up an experiment will the reaction be so fast that it is over in a few seconds or so slow that it does not

*14 3 concentration and rates differential rate laws* - Nov 04 2022

web menu book bookshelves perm media learning objects login login how to reg request instructor account instructor commons search submit search downloads expand more download page pdf download full book pdf resources expand more periodic table physics constants scientific calculator reference expand more reference cite tools

*17 1 rates of reactions and rate laws chemistry libretexts* - Jun 11 2023

web rate laws and reaction order the relation between the rate of a reaction and the concentrations of reactants is expressed by its rate law for example the rate of the gas phase decomposition of dinitrogen pentoxide  $2\text{N}_2\text{O}_5 \rightarrow 4\text{NO}_2 + \text{O}_2$  has been found to be directly proportional to the concentration of  $\text{N}_2\text{O}_5$  text rate k n

**reaction mechanism and rate law article khan academy** - Feb 07 2023

web the rate determining step limits the overall rate and therefore determines the rate law for the overall reaction introduction multistep reactions one of the most important applications of kinetics is to the study of reaction mechanisms or the sequences of steps by which chemical reactions occur

*18 10 determining the rate law from experimental data* - Aug 13 2023

web the initial rate law is then measured for each of the reactions consider the reaction between nitrogen monoxide gas and hydrogen gas to form nitrogen gas and water vapor the following data were collected for this reaction at 1280 text o text c see table below notice that the starting concentrations of ce no and ce h

determination of a rate law lab report 3 studocu - Jun 30 2022

web determination of a rate law and activation energy in this experiment glass beakers pipettes and a hotplate were utilized

to set up the procedures a solution of deionized water a buffer potassium iodide  $\text{KI}$  sodium thiosulfate  $\text{Na}_2\text{S}_2\text{O}_3$  starch and hydrogen peroxide  $\text{H}_2\text{O}_2$  were used in order to calculate the rate of reaction

*rate law rate determining steps and reaction mechanisms* - Feb 24 2022

### **12 3 rate laws chemistry libretexts** - Oct 15 2023

web oct 27 2022 the rate law rate  $k[\text{H}][\text{OH}]$  describes a reaction that is first order in  $\text{H}$  first order in  $\text{OH}$  and second order overall example 12 3 1 writing rate laws from reaction orders an experiment shows that the reaction of

### **12 3 rate laws chemistry 2e openstax** - Dec 05 2022

web rate laws sometimes called differential rate laws or rate equations are mathematical expressions that describe the relationship between the rate of a chemical reaction and the concentration of its reactants as an example consider the reaction described by the chemical equation  $\text{a} + \text{b} \rightarrow \text{products}$

reaction kinetics rate laws determining the rate law sparknotes - Oct 03 2022

web determining the rate law page 1 page 2 page 3 kinetics experiments the goal of a kinetics experiment is to measure the concentration of a species at a particular time during a reaction so that a rate law can be determined

reaction rates how to determine rate law chemtalk - Jul 12 2023

web core concepts some reactions will go fast and some will go slow the speed of the reaction is its reaction rate which is dictated by a rate law in this article we will learn about reaction rates rate laws the rate constant and the reaction order

### **civil law act 1909 singapore statutes online** - Aug 01 2022

web 12 1 in any proceedings tried in any court of record for the recovery of any debt or damages the court may if it thinks fit order that there shall be included in the sum for which judgment is given interest at such rate as it thinks fit on the whole or any part of the debt or damages for the whole or any part of the period between the

*wjp rule of law index world justice project* - Apr 28 2022

web determination of rate laws peter c jordan chapter 725 accesses abstract altering the constraints on a chemical system poses two distinct questions what is the new equilibrium configuration how rapidly does the system approach this new state the first is a problem of applied thermodynamics the second is the central problem of chemical kinetics

### **5 8 experimental determination of rate laws chemistry** - May 10 2023

web the determination of a rate law is a matter of finding an empirical equation that adequately describes reaction rate data we can distinguish two general approaches to this task one approach is to measure reaction rate directly that is for  $\text{a} + \text{b} \rightarrow \text{c} + \text{d}$  we measure the reaction rate in experiments where the concentrations  $\text{a}$  and  $\text{b}$

12 3 rate laws chemistry libretexts - Apr 09 2023

web aug 26 2023 the rate law for the reaction between methanol and ethyl acetate is under certain conditions determined to be text rate  $k$  left ce  $\text{CH}_3\text{OH}$  right nonumber what is the order of reaction with respect to methanol and ethyl acetate and what is the overall order of reaction

**worked example determining a rate law using initial rates data** - Mar 08 2023

web please try again khan academy oops something went wrong please try again uh oh it looks like we ran into an error you need to refresh if this problem persists tell us learn for free about math art computer programming economics physics chemistry biology medicine finance history and more

rate law expression rate constants integrated rate equation byju s - Sep 14 2023

web chemistry chemical kinetics rate law rate law and rate constants what is the rate law the rate law also known as the rate equation for a chemical reaction is an expression that provides a relationship between the rate of the reaction and the concentrations of the reactants participating in it table of contents expression reaction

**follow you home edwards mark amazon co uk** - Jun 30 2023

web buy follow you home unabridged by edwards mark langton james isbn 9781531890339 from amazon s book store everyday low prices and free delivery on

**follow you home heat** - Nov 11 2021

web 17 hours ago patrick and brittany mahomes daughter sterling skye mahomes is a cutie when she goes out in the yard looking for her dog brittany mahomes wife of the kansa

*patrick mahomes s daughter was seen playing with his big dogs* - Aug 09 2021

follow you home kindle edition amazon com au - May 30 2023

web follow you home item preview remove circle share or embed this item share to twitter share to facebook fiction england fiction england england london

*amazon com follow you home audible audio edition mark* - May 18 2022

web follow you home is a song written by danny mcnamara and richard mcnamara of the english alternative rock band embrace the song was originally recorded by the band for their eponymous sixth studio album embrace where it appears as the fifth track on the album a follow you home promotional single featuring the embrace track of the

follow you türkçe Çeviri imagine dragons genius lyrics - Jan 14 2022

web follow you home english edition the complete works of william shakespeare how to start a home based etsy business following the wrong god home efieldnotes

*follow you home 2015 edition open library* - Dec 25 2022

web jan 5 2016 what made the experience of listening to follow you home the most enjoyable i liked the english narration what was one of the most memorable moments

**amazon com follow you home ebook edwards mark books** - Aug 21 2022

web audible audiobook unabridged it was supposed to be the trip of a lifetime a final adventure before settling down but after a perfect start an encounter with a young

**follow you home by mark edwards the storygraph** - Jun 18 2022

web can t get enough of mark edwards s follow you home dive a little deeper into his world discover hidden treasures and hang out with daniel and laura just a little longer with

*follow you home by mark edwards paperback barnes noble* - Nov 23 2022

web jun 30 2015 it was supposed to be the trip of a lifetime a final adventure before settling down but after a perfect start an encounter with a young couple on a night train forces

**follow you home english edition legacy theoc** - Oct 11 2021

follow you home english edition kindle edition amazon de - Oct 23 2022

web buy follow you home by dr mark edwards online at alibris we have new and used copies available in 3 editions starting at 1 58 english alibris id 17721732992

**follow you home a sidekick to the mark edwards novel** - Mar 16 2022

web mar 12 2021 imagine dragons follow you türkçe Çeviri lyrics biliyorsun numaranı aldım numaranı bütün gece ben hep senin takımındayım arkandayım işler yolunda

**israel hamas war blinken says a pause in fighting would pose** - Sep 09 2021

follow you home amazon co uk edwards mark - Apr 28 2023

web follow you home kindle edition by mark edwards author format kindle edition 4 1 43 676 ratings see all formats and editions kindle edition 0 00 this title and over 1

**follow you home edwards mark fiction writer free** - Feb 24 2023

web jun 30 2015 the page turning psychological thriller from the author of 1 bestsellers the magpies and because she loves me it was supposed to be the trip of a lifetime a final

**follow you home kindle edition amazon co uk** - Aug 01 2023

web kindle 0 00 this title and over 1 million more available with kindle unlimited 9 35 to buy audiobook 0 00 free with your audible trial the page turning psychological thriller from

**follow you home amazon co uk edwards mark langton** - Mar 28 2023

web follow you home by edwards mark fiction writer 2015 thomas mercer edition in english

[follow you home by mark edwards audiobook](#) - Sep 21 2022

web follow you home mark edwards 393 pages first pub 2015 user added isbn uid none format digital language english  
publisher thomas mercer publication date not

**follow you home kindle edition amazon in** - Jan 26 2023

web follow you home english edition ebook edwards mark amazon de kindle store

[follow you home wikipedia](#) - Feb 12 2022

web jun 16 2014 follow you home don t walk away unless i m walking with you this ain t no time to be shy your like a dream  
that s just about to come true and so i keep standing

**editions of follow you home by mark edwards goodreads** - Oct 03 2023

web jun 30 2015 editions for follow you home 1503944379 paperback published in 2015 1503999378 kindle edition  
published in 2015 ebook published in 2015 hardco

[follow you home by mark edwards goodreads](#) - Sep 02 2023

web follow you home kindle edition it was supposed to be the trip of a lifetime a final adventure before settling down but  
after a perfect start an encounter with a young

[follow you türkçe Çeviri imagine dragons genius lyrics](#) - Dec 13 2021

web 11 hours ago u s reaction secretary of state antony blinken said any pause in the fighting in gaza would take time to  
prepare and coordinate he said everyone agrees

[embrace follow you home youtube](#) - Apr 16 2022

web mar 12 2021 imagine dragons follow you türkçe Çeviri lyrics biliyorsun numaranı aldım numaranı bütün gece ben hep  
senin takımındayım arkandayım işler yolunda

**follow you home by dr mark edwards alibris** - Jul 20 2022

web mar 30 2014 follow you home available on the top 5 album embrace out now also includes the singles refugees i run  
amazon mp3 album at very special price of