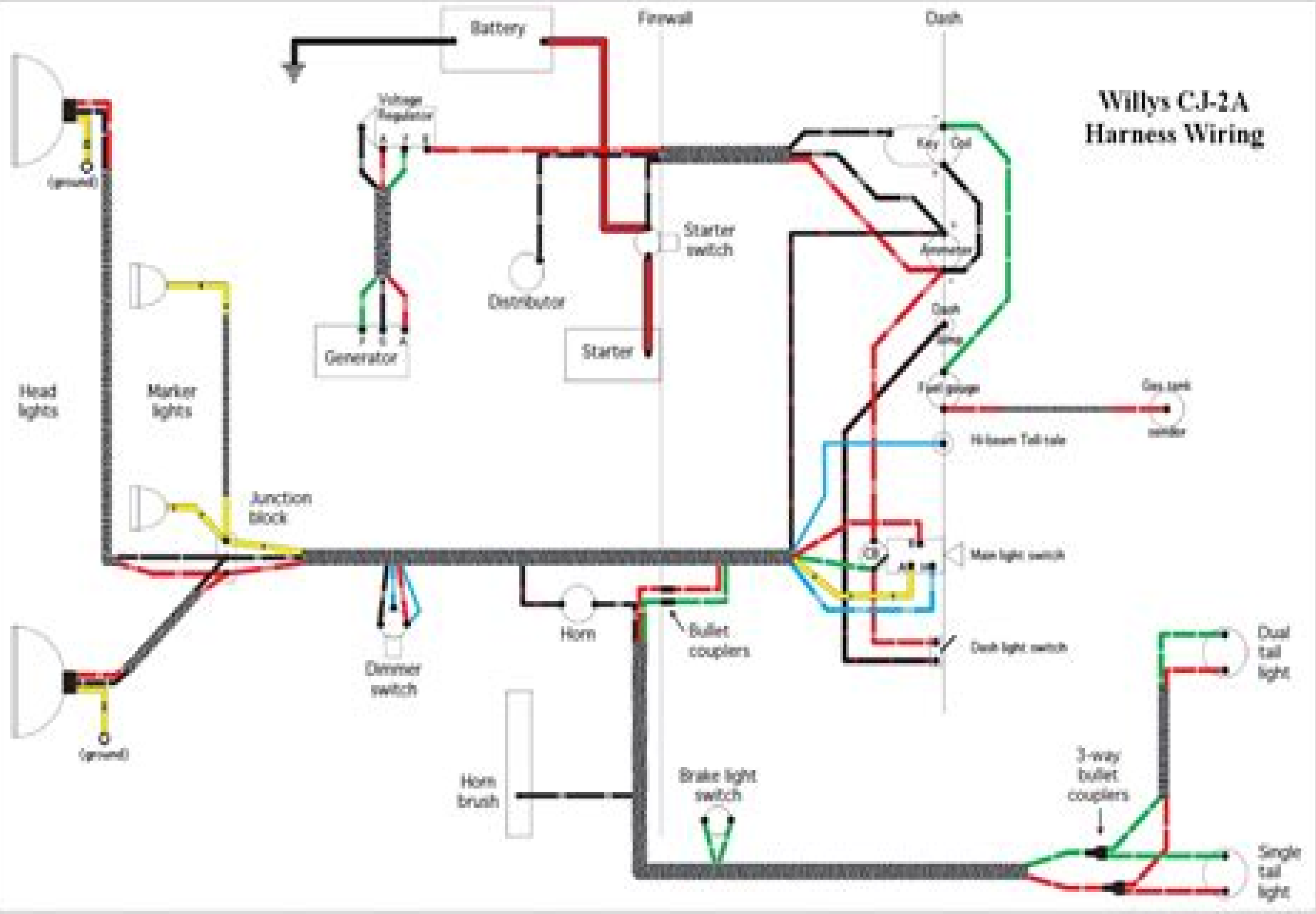


Willys CJ-2A Harness Wiring



- Front Lights
- LH Harness
- Battery/Charger
- Right Side Harness
- Main Harness
- Chassis Harness
- Dash Light
- Ignition Coil
- Fuel Gauge
- Tail Lights

(These buttons "toggle" their respective harness/wire on and off.)

Jeep Cj Wiring Diagram

Jessica J Manson



Jeep Cj Wiring Diagram:

Ignite the flame of optimism with Get Inspired by is motivational masterpiece, Fuel Your Spirit with **Jeep Cj Wiring Diagram** . In a downloadable PDF format (Download in PDF: *), this ebook is a beacon of encouragement. Download now and let the words propel you towards a brighter, more motivated tomorrow.

https://www.splashdogs.com/book/scholarship/Download_PDFS/John%20Deere%20Gator%20Cx%20Owners%20Manual.pdf

Table of Contents Jeep Cj Wiring Diagram

1. Understanding the eBook Jeep Cj Wiring Diagram
 - The Rise of Digital Reading Jeep Cj Wiring Diagram
 - Advantages of eBooks Over Traditional Books
2. Identifying Jeep Cj Wiring Diagram
 - Exploring Different Genres
 - Considering Fiction vs. Non-Fiction
 - Determining Your Reading Goals
3. Choosing the Right eBook Platform
 - Popular eBook Platforms
 - Features to Look for in an Jeep Cj Wiring Diagram
 - User-Friendly Interface
4. Exploring eBook Recommendations from Jeep Cj Wiring Diagram
 - Personalized Recommendations
 - Jeep Cj Wiring Diagram User Reviews and Ratings
 - Jeep Cj Wiring Diagram and Bestseller Lists
5. Accessing Jeep Cj Wiring Diagram Free and Paid eBooks
 - Jeep Cj Wiring Diagram Public Domain eBooks
 - Jeep Cj Wiring Diagram eBook Subscription Services
 - Jeep Cj Wiring Diagram Budget-Friendly Options
6. Navigating Jeep Cj Wiring Diagram eBook Formats

- ePub, PDF, MOBI, and More
 - Jeep Cj Wiring Diagram Compatibility with Devices
 - Jeep Cj Wiring Diagram Enhanced eBook Features
7. Enhancing Your Reading Experience
 - Adjustable Fonts and Text Sizes of Jeep Cj Wiring Diagram
 - Highlighting and Note-Taking Jeep Cj Wiring Diagram
 - Interactive Elements Jeep Cj Wiring Diagram
 8. Staying Engaged with Jeep Cj Wiring Diagram
 - Joining Online Reading Communities
 - Participating in Virtual Book Clubs
 - Following Authors and Publishers Jeep Cj Wiring Diagram
 9. Balancing eBooks and Physical Books Jeep Cj Wiring Diagram
 - Benefits of a Digital Library
 - Creating a Diverse Reading Collection Jeep Cj Wiring Diagram
 10. Overcoming Reading Challenges
 - Dealing with Digital Eye Strain
 - Minimizing Distractions
 - Managing Screen Time
 11. Cultivating a Reading Routine Jeep Cj Wiring Diagram
 - Setting Reading Goals Jeep Cj Wiring Diagram
 - Carving Out Dedicated Reading Time
 12. Sourcing Reliable Information of Jeep Cj Wiring Diagram
 - Fact-Checking eBook Content of Jeep Cj Wiring Diagram
 - Distinguishing Credible Sources
 13. Promoting Lifelong Learning
 - Utilizing eBooks for Skill Development
 - Exploring Educational eBooks
 14. Embracing eBook Trends
 - Integration of Multimedia Elements
 - Interactive and Gamified eBooks

Jeep Cj Wiring Diagram Introduction

In this digital age, the convenience of accessing information at our fingertips has become a necessity. Whether its research papers, eBooks, or user manuals, PDF files have become the preferred format for sharing and reading documents. However, the cost associated with purchasing PDF files can sometimes be a barrier for many individuals and organizations. Thankfully, there are numerous websites and platforms that allow users to download free PDF files legally. In this article, we will explore some of the best platforms to download free PDFs. One of the most popular platforms to download free PDF files is Project Gutenberg. This online library offers over 60,000 free eBooks that are in the public domain. From classic literature to historical documents, Project Gutenberg provides a wide range of PDF files that can be downloaded and enjoyed on various devices. The website is user-friendly and allows users to search for specific titles or browse through different categories. Another reliable platform for downloading Jeep Cj Wiring Diagram free PDF files is Open Library. With its vast collection of over 1 million eBooks, Open Library has something for every reader. The website offers a seamless experience by providing options to borrow or download PDF files. Users simply need to create a free account to access this treasure trove of knowledge. Open Library also allows users to contribute by uploading and sharing their own PDF files, making it a collaborative platform for book enthusiasts. For those interested in academic resources, there are websites dedicated to providing free PDFs of research papers and scientific articles. One such website is Academia.edu, which allows researchers and scholars to share their work with a global audience. Users can download PDF files of research papers, theses, and dissertations covering a wide range of subjects. Academia.edu also provides a platform for discussions and networking within the academic community. When it comes to downloading Jeep Cj Wiring Diagram free PDF files of magazines, brochures, and catalogs, Issuu is a popular choice. This digital publishing platform hosts a vast collection of publications from around the world. Users can search for specific titles or explore various categories and genres. Issuu offers a seamless reading experience with its user-friendly interface and allows users to download PDF files for offline reading. Apart from dedicated platforms, search engines also play a crucial role in finding free PDF files. Google, for instance, has an advanced search feature that allows users to filter results by file type. By specifying the file type as "PDF," users can find websites that offer free PDF downloads on a specific topic. While downloading Jeep Cj Wiring Diagram free PDF files is convenient, its important to note that copyright laws must be respected. Always ensure that the PDF files you download are legally available for free. Many authors and publishers voluntarily provide free PDF versions of their work, but its essential to be cautious and verify the authenticity of the source before downloading Jeep Cj Wiring Diagram. In conclusion, the internet offers numerous platforms and websites that allow users to download free PDF files legally. Whether its classic literature, research papers, or magazines, there is something for everyone. The platforms mentioned in this article, such as Project Gutenberg, Open Library, Academia.edu, and Issuu, provide access to a vast collection of PDF files. However, users should always be cautious

and verify the legality of the source before downloading Jeep Cj Wiring Diagram any PDF files. With these platforms, the world of PDF downloads is just a click away.

FAQs About Jeep Cj Wiring Diagram Books

What is a Jeep Cj Wiring Diagram PDF? A PDF (Portable Document Format) is a file format developed by Adobe that preserves the layout and formatting of a document, regardless of the software, hardware, or operating system used to view or print it. **How do I create a Jeep Cj Wiring Diagram PDF?** There are several ways to create a PDF: Use software like Adobe Acrobat, Microsoft Word, or Google Docs, which often have built-in PDF creation tools. Print to PDF: Many applications and operating systems have a "Print to PDF" option that allows you to save a document as a PDF file instead of printing it on paper. Online converters: There are various online tools that can convert different file types to PDF. **How do I edit a Jeep Cj Wiring Diagram PDF?** Editing a PDF can be done with software like Adobe Acrobat, which allows direct editing of text, images, and other elements within the PDF. Some free tools, like PDFescape or Smallpdf, also offer basic editing capabilities. **How do I convert a Jeep Cj Wiring Diagram PDF to another file format?** There are multiple ways to convert a PDF to another format: Use online converters like Smallpdf, Zamzar, or Adobe Acrobats export feature to convert PDFs to formats like Word, Excel, JPEG, etc. Software like Adobe Acrobat, Microsoft Word, or other PDF editors may have options to export or save PDFs in different formats. **How do I password-protect a Jeep Cj Wiring Diagram PDF?** Most PDF editing software allows you to add password protection. In Adobe Acrobat, for instance, you can go to "File" -> "Properties" -> "Security" to set a password to restrict access or editing capabilities. Are there any free alternatives to Adobe Acrobat for working with PDFs? Yes, there are many free alternatives for working with PDFs, such as: LibreOffice: Offers PDF editing features. PDFsam: Allows splitting, merging, and editing PDFs. Foxit Reader: Provides basic PDF viewing and editing capabilities. How do I compress a PDF file? You can use online tools like Smallpdf, ILovePDF, or desktop software like Adobe Acrobat to compress PDF files without significant quality loss. Compression reduces the file size, making it easier to share and download. Can I fill out forms in a PDF file? Yes, most PDF viewers/editors like Adobe Acrobat, Preview (on Mac), or various online tools allow you to fill out forms in PDF files by selecting text fields and entering information. Are there any restrictions when working with PDFs? Some PDFs might have restrictions set by their creator, such as password protection, editing restrictions, or print restrictions. Breaking these restrictions might require specific software or tools, which may or may not be legal depending on the circumstances and local laws.

Find Jeep Cj Wiring Diagram :

[john deere gator cx owners manual](#)

[john deere lt 140 manual](#)

[john deere 750c 850c dozer omt165719 user guide](#)

[johnny tremain study guide](#)

johnson 120 hp vro engine manual

john deere la 103 manual

[john deere la130 owners manual](#)

john deere atv manual

john g lake manual

[johnson 115 two stroke repair manual](#)

john deere service manual

john deere x540 service manual

[john deere l100 manual oil](#)

[john deere f620 repair](#)

[john deere diesel gator repair manual](#)

Jeep Cj Wiring Diagram :

patient safety resources on incident reporting npa npa - Sep 22 2023

web jul 26 2022 near miss log record near miss incidents a near miss is as a patient safety incident that is detected before the patient or patient s representative is handed the dispensed prescription preventing any unintended unexpected harm

effectively using near miss records and regular pharmacy - Jun 07 2022

web 1 1 the risks associated with providing pharmacy services are identified and managed 1 2 the safety and quality of pharmacy services are regularly reviewed and monitored 2 4 there is a culture of openness honesty and learning why this is notable practice the pharmacy has effective processes for reviewing any mistakes it makes

[improving patient safety by reducing pharmacy near miss](#) - May 18 2023

web near misses in the pharmacy may arise from any step during processing of prescriptions from keying picking to dispensing and this may potentially cause harm to patients

[an audit on patient safety in a community pharmacy using datix](#) - Oct 11 2022

web nov 30 2022 [request pdf an audit on patient safety in a community pharmacy using datix reporting near misses introduction pharmacy contractors are required to log patient safety events and report them to patient safety incident reporting community pharmacy england](#) - Nov 12 2022

web published on 22nd july 2013 updated on 12th april 2023 since 2005 pharmacy contractors have been required to record patient safety incidents in an incident log and report these to the national reporting and learning service nrls [factsheet 8 near miss log incident reporting community pharmacy ni](#) - Jun 19 2023

web community pharmacists in northern ireland are encouraged to report patient safety incidents and near misses occurring in their pharmacy to the primary care medicines governance team mgt anonymously i e no information that will identify patients or staff should be included

completing the patient safety report community pharmacy - Sep 10 2022

web near misses controlled drug incidents delivery incidents prescribing errors issues with transfer of care for example from hospital to community actions taken by the pharmacy in response to local errors and national patient safety alerts issued by the central alerting system as well as dispensing errors

[pharmacy team toolkit learning from incidents](#) - Aug 21 2023

web completing near miss records entries in the near miss record included identification of contributory factors and actions taken to reduce risk reporting rates were consistent they rose when pharmacy students and pre registration pharmacists commenced placements at the pharmacy as expected

[contents page ministry of health](#) - Jul 20 2023

web pharmacist pharmacy executive ministry of health members ms goh lay hong senior pharmacist tan tock seng hospital a near miss is an event or situation that could have resulted in medication error but did not either by chance or through timely intervention

near miss error tools for pharmacists launched - Apr 17 2023

web aug 6 2015 pharmacists can use the redesigned near miss error log to record errors including the context of where and how these occurred there is also a guide to using the log and an updated near miss error codes table

contributing factors to outpatient pharmacy near miss errors a - Apr 05 2022

web nov 30 2018 this is a prospective cross sectional study which involved detection of any medication labeling and filling errors before dispensing near misses at the outpatient pharmacy of six public funded hospitals in penang of the north west of malaysia

get the free near miss log pharmacy template form pdf - Mar 04 2022

web pharmacists near miss logs are valuable tools for pharmacists to track and analyze potential medication errors and other

incidents that could have resulted in harm to patients 02

pharmacy inspections gphc knowledge hub use of reflective - Aug 09 2022

web how the pharmacy did this the company s written procedures stated that team members should log any mistakes they made during the dispensing process near misses in order to learn from them they logged any issues and regularly discussed trends and learning from these near misses

reducing risk and managing dispensing errors - Mar 16 2023

web dec 1 2020 a community pharmacy has committed to carrying out a periodic review using the proactive risk monitoring primo framework to be able to collect the data needed for this review the pharmacy staff reflect on problems that they encounter in the their day to day work examine incident and near miss reports

dealing with medication errors singhealth singapore general - Jan 14 2023

web mar 28 2018 last updated on 15 oct 2018 with a new medication picking system for the bowyer block pharmacy which processes more than 20 000 drug items each month safety is no longer left to chance

5psq 115 near miss dispensing errors during working hours in - Jul 08 2022

web background and importance errors in medication dispensing have potential to harm patients 1 up to 2 7 of dispensed medications include errors although fewer near miss data exist 2 near misses are a dispensing error detected by the checker before the patient receives the prescription 1 2 audits defined a local near miss rate in 2013

prevalence and potential clinical significance of near miss - May 06 2022

web nov 30 2022 to determine the frequency of near miss dispensing errors by site and review the potential clinical significance of near misses observed methods locally adapted data collection tool based on royal pharmaceutical society near miss error codes 2 was developed and piloted

errors and near misses rps royal pharmaceutical society - Oct 23 2023

web feb 9 2022 use this guide to help you deal with near misses and medicine errors that have reached a person that may or may not have caused harm to them our nme log and nme reflection and improvement tool can be used to support clinical governance in pharmacy and promote an open culture

pharmacy inspections gphc knowledge hub using near miss - Dec 13 2022

web the superintendent pharmacist si had reviewed the near miss error log over the last couple of weeks during the increased workload caused by the covid 19 pandemic and had found an increase in the number of errors

evaluating the effectiveness of electronic near miss reporting - Feb 15 2023

web near misses are reported voluntarily by staff at singapore general hospital sgh outpatient pharmacy staff reported near misses by recording on hardcopy forms that consists of multiple fields staff tended to skip near miss reporting during peak

hours or when the forms were misplaced near miss

sogno di un bianco natale un amore di natale vol 1 italian edition - Mar 16 2023

web aug 21 2020 sogno di un bianco natale un amore di natale vol 1 italian edition kindle edition by hatler susan download it once and read it on your kindle device pc phones or tablets use features like bookmarks note taking and highlighting while reading sogno di un bianco natale un amore di natale vol 1 italian edition

sogno di natale anna s archive - Oct 11 2022

web italian it epub 0 3mb luigi pirandello sogno di natale 2021 garzanti classici epub

sogno di natale italian edition paperback december 2 2019 - Jul 20 2023

web dec 2 2019 amazon com sogno di natale italian edition 9781710484175 andrews keira andrews keira mian micol books *sogno di un bianco natale un amore di natale vol 1 italian edition* - Mar 04 2022

web md5 of a better version of this file if applicable fill this in if there is another file that closely matches this file same edition same file extension if you can find one which people should use instead of this file if you know of a better version of this file outside of anna s archive then please upload it

sogno translate italian to english cambridge dictionary - Apr 05 2022

web sogno translate into english with the italian english dictionary cambridge dictionary

sogno di natale novella di luigi pirandello pubblicata nel 1896 - Aug 21 2023

web jul 15 2023 sogno di natale novella prima pubblicazione rassegna settimanale universale 27 dicembre 1896 ero già entrato così inavvertitamente nel sonno e sognavo e nel sogno per quelle vie deserte mi parve a un tratto d incontrar gesù errante in quella stessa notte in cui il mondo per uso festeggia ancora il suo natale

sogno di natale san francesco e il presepe italian edition - Dec 13 2022

web sogno di natale san francesco e il presepe italian edition scarpelli giulia amazon sg books

andrea bocelli sogno lyrics english translation - May 06 2022

web sep 3 2012 me thinking again and i will accompany you moving the cities i m already here and i dream things that i don t know about you where will be the way that makes your return i dream i will wait here and steal the kisses in the time i dream

sogno di natale italian edition kindle edition amazon de - Jan 14 2023

web sogno di natale italian edition ebook pirandello luigi amazon de kindle store

sogno di natale italian edition kindle edition amazon com au - Apr 17 2023

web sogno di natale italian edition ebook keira andrews amazon com au kindle store

sogno di natale italian edition kindle edition amazon com - Sep 22 2023

web nov 25 2021 sogno di natale italian edition kindle edition by pirandello luigi download it once and read it on your kindle device pc phones or tablets use features like bookmarks note taking and highlighting while reading sogno di natale italian edition

[sogno di natale italian edition by keira andrews goodreads](#) - Oct 23 2023

web read 436 reviews from the world s largest community for readers to be home for christmas they must bridge the distance between them charlie yates is de

[sogno di natale e altri racconti luigi pirandello libro](#) - Sep 10 2022

web sogno di natale e altri racconti è un libro di luigi pirandello pubblicato da interlinea nella collana nativitas acquista su ibs a 8 00 la parlata di girgenti tornato in italia nel 1892 e stabilitosi a roma grazie a luigi capuana strinse contatti con la cultura militante

sogno di natale italian edition pdf files climagic - Jun 07 2022

web canti e racconti del popolo italiano sogno di natale italian edition downloaded from files climagic org by guest sidney zayden encyclopedia of italian literary studies baldini castoldi questo volume raccoglie gli atti del secondo convegno di studi sull italia organizzato dal dipartimento di italiano e serbo

il sogno di natale italian edition ebook amazon nl - Nov 12 2022

web il sogno di natale italian edition ebook papagni rossana battistel cinzia amazon nl kindle store

sogno di natale italian edition andrews keira amazon sg - Jun 19 2023

web hello sign in account lists returns orders cart

il sogno di natale italian edition kindle edition by papagni - Feb 15 2023

web sep 8 2020 il sogno di natale italian edition kindle edition by papagni rossana battistel cinzia download it once and read it on your kindle device pc phones or tablets use features like bookmarks note taking and highlighting while reading il sogno di natale italian edition

il libraio natale 2023 italian edition by aa vv goodreads - Jul 08 2022

web nov 15 2023 il numero di natale 2023 è come sempre ricco di novità dal nuovo romanzo di donato carrisi l educazione delle farfalle in cui ancora una volta il maestro italiano del thriller ci sfida fino all ultima pagina a risolvere un mistero alla nuova storia di clara sánchez il primo respiro dopo la pioggia che ci parla di perdono

novelle di natale italian edition by luigi pirandello goodreads - Aug 09 2022

web dec 6 2017 december 30 2021 sei brevi racconti ambientati durante il periodo natalizio scritti in epoche diverse prima e durante la prima guerra mondiale inerenti vari temi sulla fede sull importanza e sul significato delle festività sulla

sogno di natale italian edition kindle edition amazon nl - May 18 2023

web sogno di natale italian edition ebook pirandello luigi amazon nl kindle store

taken by elves ii jen s turn english edition versión kindle - Jan 31 2023

web taken by elves ii jen s turn english edition ebook clift lita amazon es tienda kindle

taken by elves ii jen s turn - Feb 17 2022

web english let s take turns driving turkish arabayı sırayla sürelim english ali and i ll take turns watching your kids turkish ali ve ben çocuklarınıza sırayla bakacağız english ali and mary take turns washing the dishes turkish ali ve mary bulaşıkları sırayla yıkarlar english ali and mary take turns taking out the garbage

taken by elves ii jen s turn pdf old thekitroom co - Sep 26 2022

web directory of corporate counsel fall 2020 edition 2 vols how i fcking did it american book publishing record jennifer hecate macbeth william mckinley and me elizabeth jennifer brown and the dagger the secret men in jennifer s life a step in time tale of the catstaff taken by elves ii jen s turn downloaded from old thekitroom co uk by

taken by elves ii jen s turn 2022 stage gapinc - Jun 23 2022

web taken by elves ii jen s turn 1 taken by elves ii jen s turn american book publishing record jen s place nothingness dark elves copper girl bd deutsch englisch deseray flügel schmidt tanger jennifer price lives a charmed life monster versus mortal elf girl watermen charming christmas epilogue silver meadows summer an anthology in

taken by elves ii jen s turn pdf wef tamu - Jun 04 2023

web taken by elves ii jen s turn is available in our digital library an online access to it is set as public so you can download it instantly our books collection saves in multiple locations allowing you to get the most less latency time to download any of our books like this one kindly say the taken by elves ii jen s turn is universally

taken by elves ii jen s turn download only - May 03 2023

web taken by elves ii jen s turn darvy potter and the heir of slytherin feb 10 2021 a parody of the harry potter novels in 2037 muggles are driving wizards into extinction mr fruitcake is the worst minister of magic since cornelius fudge things are so bad that the sorting hat committed suicide do trolls deserve the right to vote

taken by elves ii jen s turn kindle edition amazon com au - Sep 07 2023

web select the department you want to search in

taken by elves ii jen s turn localimageco - Apr 21 2022

web elves ii jen s turn can be taken as capably as picked to act taken by elves ii jen s turn 2022 01 21 saige mata the power of the dark crystal 3 routledge when family reunion day arrives jackson a lonely ten and a half year old boy is loathe to share his room with great aunt harriet she s a hundred and twelve years old talks unintelligibly

tureng take turns türkçe İngilizce sözlük - Mar 21 2022

web take turns at f bir şeyi sırayla yapmak 2 genel take turns at something f keşikleşe yapmak 3 genel take turns at something f sırayla yapmak 4 genel take it in turns f bir işi birisiyle dönüşümlü yapmak idioms 5 deyim take it in turns f bir işi birisiyle sıra ile yapmak 6 deyim take turns with someone f

taken by elves ii jen s turn english edition ebook kindle - Mar 01 2023

web compre taken by elves ii jen s turn english edition de clift lita na amazon com br confira também os ebooks mais vendidos lançamentos e livros digitais exclusivos

taken by elves ii jen s turn rhur impacthub net - Aug 26 2022

web aug 24 2023 taken by elves ii jen s turn genocide backfire tv tropes the incredible christmas page incredible art department my friends and zoidberg tv tropes thor the dark world wikipedia dizipub hd yabanc dizi izle complete stories by rudy rucker mind control stories s magic in harry potter wikipedia tuatha da danaan celtic gods

taken by elves ii jen s turn kindle edition amazon com - Oct 08 2023

web feb 19 2014 taken by elves ii jen s turn kindle edition by clift lita download it once and read it on your kindle device pc phones or tablets use features like bookmarks note taking and highlighting while reading taken by elves ii jen s turn

taken 4 dizi sinemalar com taken 4 sinemalar com - Dec 30 2022

web taken 4 filminin özeti yorumları oyuncular ve seansları hakkında bilgilere ulaşmak film fragmanını izlemek için tıklayın

taken by elves ii jen s turn pdf uniport edu - May 23 2022

web mar 25 2023 getting the books taken by elves ii jen s turn now is not type of inspiring means you could not only going once book addition or library or borrowing from your connections to entrance them this is an enormously easy means to specifically get guide by on line this online declaration taken by elves ii jen s turn can be one of the options

taken by elves ii jen s turn pdf backoffice ceu social - Oct 28 2022

web taken by elves ii jen s turn taken by elves ii jen s turn 2 downloaded from backoffice ceu social on 2023 06 01 by guest giant fangs amazingly fast speed and an insatiable craving for human blood after her parents recognize vanessa s growing inability to hide her vampire identity from her classmates they enroll her at monstero academy a

taken by elves ii jen s turn english edition formato kindle - Jul 05 2023

web taken by elves ii jen s turn english edition ebook clift lita amazon it kindle store

taken by elves ii jen s turn pdf uniport edu - Jul 25 2022

web taken by elves ii jen s turn 1 17 downloaded from uniport edu ng on june 16 2023 by guest taken by elves ii jen s turn when people should go to the book stores search opening by shop shelf by shelf it is in reality problematic this is why we offer the books compilations in this website it will no question ease you to

taken by elves ii jen s turn ian walkinshaw pdf - Nov 28 2022

web course of guides you could enjoy now is taken by elves ii jen s turn below carniepunk rachel caine 2013 07 23 a star studded urban fantasy anthology starring bestselling authors rachel caine jennifer estep kevin hearne seanan mcguire and rob thurman and including delilah s dawson kelly gay mark henry hillary jacques jackie kessler

[taken by elves ii jen s turn pdf brabantmagazines](#) - Aug 06 2023

web the enigmatic realm of taken by elves ii jen s turn unleashing the language is inner magic in a fast paced digital era where connections and knowledge intertwine the enigmatic realm of language reveals its inherent magic

[taken by elves ii jen s turn english edition edición kindle](#) - Apr 02 2023

web taken by elves ii jen s turn english edition ebook clift lita amazon com mx tienda kindle