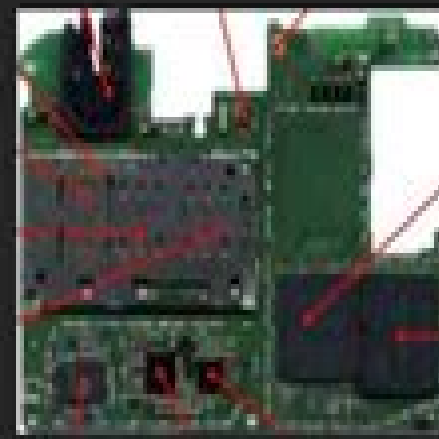
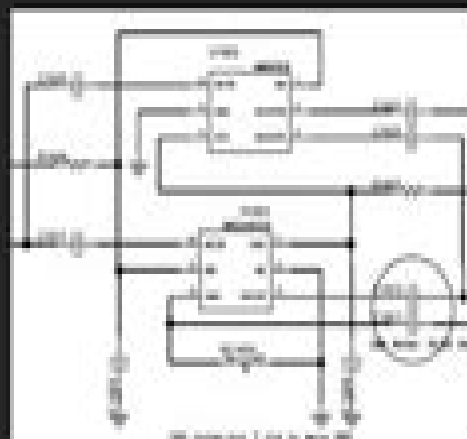




Download Huawei Honor 8A Schematic Diagram

Service Manual



Manual Na Huawei Honor

Alex Knox



Manual Na Huawei Honor:

HONOR 400 Pro 5G User Guide Alex Knox,2025-06-12 The Ultimate Step by Step Manual for Beginners Seniors Experts and Tech Enthusiasts Users to Master the HONOR 400 Pro 5G with MagicOS 9 0 Expert Camera Tips AI Tools Troubleshooting and Productivity HacksUnlock the full power of your HONOR 400 Pro 5G with this clear easy to follow user guide designed specifically for beginners seniors and anyone who wants to get the most out of their smartphone Whether you re new to Android or want to explore the advanced capabilities of MagicOS 9 0 this guide walks you through every essential feature with confidence and clarity Written by an expert in smartphone user manuals this comprehensive guide eliminates confusion and empowers you from initial setup to mastering AI powered photography optimizing battery life and troubleshooting common issues What You ll Discover Inside Simple Setup Activation Step by step instructions to get your HONOR 400 Pro 5G ready in minutes including account setup Wi Fi connection and personalization Deep Dive into MagicOS 9 0 Unlock powerful AI features like Magic Portal YOYO Agent Magic Capsule and cross device sharing for seamless multitasking Master the 200MP AI Camera Learn how to capture breathtaking photos and videos using AI enhancements professional modes zoom tips and editing tools Hidden Features Shortcuts Discover knuckle gestures split screen multitasking and other productivity hacks to speed up your daily tasks Troubleshooting Maintenance Solve battery drain connectivity glitches app crashes and charging issues without stress or costly repairs Privacy Security Made Easy Set up fingerprint and face unlock manage app permissions and enable elder friendly security features Bonus Tips Battery saving hacks performance optimization and safe update practices to keep your phone running smoothly *HONOR 400 Lite Smartphone 5G User Guide* Alex Knox,2025-06-14 The Ultimate Step by Step Manual for Beginners Seniors Experts and Tech Enthusiasts Unlock the full power of your HONOR 400 Lite 5G with this clear easy to follow user guide designed specifically for beginners seniors and anyone who wants to get the most out of their smartphone Whether you re new to Android or want to explore the advanced capabilities of MagicOS 9 0 this guide walks you through every essential feature with confidence and clarity Written by an expert in smartphone user manuals this comprehensive guide eliminates confusion and empowers you from initial setup to mastering AI powered photography optimizing battery life and troubleshooting common issues What You ll Discover Inside Simple Setup Activation Step by step instructions to get your HONOR 400 Lite 5G ready in minutes including account setup Wi Fi connection and personalization Explore MagicOS 9 0 Learn about AI Camera Button underwater shooting and cross device sharing for smooth multitasking Master the 108MP AI Camera Learn how to capture breathtaking photos and videos using AI enhancements professional modes zoom tips and editing tools Hidden Features Shortcuts Discover knuckle gestures split screen multitasking and other productivity hacks to speed up your daily tasks Troubleshooting Maintenance Solve battery drain connectivity glitches app crashes and charging issues without stress or costly repairs Privacy Security Made Easy Set up fingerprint and face unlock manage app permissions and enable elder

friendly security features Bonus Tips Battery saving hacks performance optimization and safe update practices to keep your Honor 400 Lite 5G running smoothly [The Huawei Mate XT User Guide](#) Leo Nexon,2025-03 Master Your Huawei Mate XT Like a Pro Your Huawei Mate XT is more than just a phone it s a powerful foldable masterpiece designed to make your life easier and more exciting But are you truly using it to its full potential With The Huawei Mate XT User Guide you ll go from beginner to expert in no time This easy to follow manual breaks down everything you need to know from setting up your phone to unlocking hidden features you never knew existed What You ll Learn Inside Step by step setup Get your phone ready the right way in minutes Master the tri fold display Learn how to use the flexible screen for work and play Essential tips tricks Speed up your phone extend battery life and customize settings Camera mastery Take stunning photos and videos with pro level features Multi task like a boss Use split screen multi window and app continuity with ease Troubleshooting made easy Fix common issues fast without stress This guide is written in super simple language making it perfect for beginners Whether you re new to Huawei devices or upgrading to the Mate XT this book will help you navigate your phone effortlessly and make the most of every feature Take Control of Your Huawei Mate XT Today Don t waste time struggling with your new phone Get your copy now and unlock the full power of your Huawei Mate XT [Huawei P30 Lite User Guide](#) Collins Smidth,2019-09-17 This is a user manual Don t mistake it for actual phone please If your Huawei P30 Lite doesn t come with a printed user guide that doesn t mean that there isn t a guide You just need to know where to look for it All Huawei models are relatively similar when it comes to their hardware It s the software that s really different Huawei releases a user guide that covers all models that can run the latest operating system every time there s a major new version of the OS the operating system that runs on the Huawei This Guide is a splendid companion for Huawei P30 Lite This is a very thorough no nonsense guide particularly very useful for the newbies This guide contains a lot of information on how you can satisfactorily use your Huawei P30 Lite It is full of actionable steps hints notes screenshots and suggestions This guide is particularly useful for newbies and seniors nevertheless I strongly believe that even the techy guys will find benefits reading it Put simply if you want to get the most out of your phone choose this guide This paperback has a black and white interior and a full color cover In addition you would get a free eBook copy of this guide when you purchase the paperback this would allow you to clearly see all the screenshots that might not be clear enough in the black white paperback

Getting the books **Manual Na Huawei Honor** now is not type of inspiring means. You could not lonely going when ebook deposit or library or borrowing from your contacts to approach them. This is an unquestionably easy means to specifically acquire lead by on-line. This online notice Manual Na Huawei Honor can be one of the options to accompany you once having other time.

It will not waste your time. admit me, the e-book will completely way of being you new thing to read. Just invest little epoch to entry this on-line publication **Manual Na Huawei Honor** as well as evaluation them wherever you are now.

https://www.splashdogs.com/files/book-search/Download_PDFS/His_Cinderella_Bride.pdf

Table of Contents Manual Na Huawei Honor

1. Understanding the eBook Manual Na Huawei Honor
 - The Rise of Digital Reading Manual Na Huawei Honor
 - Advantages of eBooks Over Traditional Books
2. Identifying Manual Na Huawei Honor
 - Exploring Different Genres
 - Considering Fiction vs. Non-Fiction
 - Determining Your Reading Goals
3. Choosing the Right eBook Platform
 - Popular eBook Platforms
 - Features to Look for in an Manual Na Huawei Honor
 - User-Friendly Interface
4. Exploring eBook Recommendations from Manual Na Huawei Honor
 - Personalized Recommendations
 - Manual Na Huawei Honor User Reviews and Ratings
 - Manual Na Huawei Honor and Bestseller Lists
5. Accessing Manual Na Huawei Honor Free and Paid eBooks

- Manual Na Huawei Honor Public Domain eBooks
 - Manual Na Huawei Honor eBook Subscription Services
 - Manual Na Huawei Honor Budget-Friendly Options
6. Navigating Manual Na Huawei Honor eBook Formats
 - ePub, PDF, MOBI, and More
 - Manual Na Huawei Honor Compatibility with Devices
 - Manual Na Huawei Honor Enhanced eBook Features
 7. Enhancing Your Reading Experience
 - Adjustable Fonts and Text Sizes of Manual Na Huawei Honor
 - Highlighting and Note-Taking Manual Na Huawei Honor
 - Interactive Elements Manual Na Huawei Honor
 8. Staying Engaged with Manual Na Huawei Honor
 - Joining Online Reading Communities
 - Participating in Virtual Book Clubs
 - Following Authors and Publishers Manual Na Huawei Honor
 9. Balancing eBooks and Physical Books Manual Na Huawei Honor
 - Benefits of a Digital Library
 - Creating a Diverse Reading Collection Manual Na Huawei Honor
 10. Overcoming Reading Challenges
 - Dealing with Digital Eye Strain
 - Minimizing Distractions
 - Managing Screen Time
 11. Cultivating a Reading Routine Manual Na Huawei Honor
 - Setting Reading Goals Manual Na Huawei Honor
 - Carving Out Dedicated Reading Time
 12. Sourcing Reliable Information of Manual Na Huawei Honor
 - Fact-Checking eBook Content of Manual Na Huawei Honor
 - Distinguishing Credible Sources
 13. Promoting Lifelong Learning
 - Utilizing eBooks for Skill Development

- Exploring Educational eBooks
14. Embracing eBook Trends
- Integration of Multimedia Elements
 - Interactive and Gamified eBooks

Manual Na Huawei Honor Introduction

In this digital age, the convenience of accessing information at our fingertips has become a necessity. Whether its research papers, eBooks, or user manuals, PDF files have become the preferred format for sharing and reading documents. However, the cost associated with purchasing PDF files can sometimes be a barrier for many individuals and organizations. Thankfully, there are numerous websites and platforms that allow users to download free PDF files legally. In this article, we will explore some of the best platforms to download free PDFs. One of the most popular platforms to download free PDF files is Project Gutenberg. This online library offers over 60,000 free eBooks that are in the public domain. From classic literature to historical documents, Project Gutenberg provides a wide range of PDF files that can be downloaded and enjoyed on various devices. The website is user-friendly and allows users to search for specific titles or browse through different categories. Another reliable platform for downloading Manual Na Huawei Honor free PDF files is Open Library. With its vast collection of over 1 million eBooks, Open Library has something for every reader. The website offers a seamless experience by providing options to borrow or download PDF files. Users simply need to create a free account to access this treasure trove of knowledge. Open Library also allows users to contribute by uploading and sharing their own PDF files, making it a collaborative platform for book enthusiasts. For those interested in academic resources, there are websites dedicated to providing free PDFs of research papers and scientific articles. One such website is Academia.edu, which allows researchers and scholars to share their work with a global audience. Users can download PDF files of research papers, theses, and dissertations covering a wide range of subjects. Academia.edu also provides a platform for discussions and networking within the academic community. When it comes to downloading Manual Na Huawei Honor free PDF files of magazines, brochures, and catalogs, Issuu is a popular choice. This digital publishing platform hosts a vast collection of publications from around the world. Users can search for specific titles or explore various categories and genres. Issuu offers a seamless reading experience with its user-friendly interface and allows users to download PDF files for offline reading. Apart from dedicated platforms, search engines also play a crucial role in finding free PDF files. Google, for instance, has an advanced search feature that allows users to filter results by file type. By specifying the file type as "PDF," users can find websites that offer free PDF downloads on a specific topic. While downloading Manual Na Huawei Honor free PDF files is convenient, its important to note that copyright laws must be respected. Always ensure that the PDF files you download are legally available

for free. Many authors and publishers voluntarily provide free PDF versions of their work, but it's essential to be cautious and verify the authenticity of the source before downloading Manual Na Huawei Honor. In conclusion, the internet offers numerous platforms and websites that allow users to download free PDF files legally. Whether it's classic literature, research papers, or magazines, there is something for everyone. The platforms mentioned in this article, such as Project Gutenberg, Open Library, Academia.edu, and Issuu, provide access to a vast collection of PDF files. However, users should always be cautious and verify the legality of the source before downloading Manual Na Huawei Honor any PDF files. With these platforms, the world of PDF downloads is just a click away.

FAQs About Manual Na Huawei Honor Books

What is a Manual Na Huawei Honor PDF? A PDF (Portable Document Format) is a file format developed by Adobe that preserves the layout and formatting of a document, regardless of the software, hardware, or operating system used to view or print it. **How do I create a Manual Na Huawei Honor PDF?** There are several ways to create a PDF: Use software like Adobe Acrobat, Microsoft Word, or Google Docs, which often have built-in PDF creation tools. Print to PDF: Many applications and operating systems have a "Print to PDF" option that allows you to save a document as a PDF file instead of printing it on paper. Online converters: There are various online tools that can convert different file types to PDF. **How do I edit a Manual Na Huawei Honor PDF?** Editing a PDF can be done with software like Adobe Acrobat, which allows direct editing of text, images, and other elements within the PDF. Some free tools, like PDFescape or Smallpdf, also offer basic editing capabilities. **How do I convert a Manual Na Huawei Honor PDF to another file format?** There are multiple ways to convert a PDF to another format: Use online converters like Smallpdf, Zamzar, or Adobe Acrobat's export feature to convert PDFs to formats like Word, Excel, JPEG, etc. Software like Adobe Acrobat, Microsoft Word, or other PDF editors may have options to export or save PDFs in different formats. **How do I password-protect a Manual Na Huawei Honor PDF?** Most PDF editing software allows you to add password protection. In Adobe Acrobat, for instance, you can go to "File" -> "Properties" -> "Security" to set a password to restrict access or editing capabilities. Are there any free alternatives to Adobe Acrobat for working with PDFs? Yes, there are many free alternatives for working with PDFs, such as: LibreOffice: Offers PDF editing features. PDFsam: Allows splitting, merging, and editing PDFs. Foxit Reader: Provides basic PDF viewing and editing capabilities. How do I compress a PDF file? You can use online tools like Smallpdf, ILovePDF, or desktop software like Adobe Acrobat to compress PDF files without significant quality loss. Compression reduces the file size, making it easier to share and download. Can I fill out forms in a PDF file? Yes, most PDF viewers/editors like Adobe Acrobat, Preview (on Mac), or various online tools allow you to fill out forms in PDF files by selecting text fields and entering information. Are there any

restrictions when working with PDFs? Some PDFs might have restrictions set by their creator, such as password protection, editing restrictions, or print restrictions. Breaking these restrictions might require specific software or tools, which may or may not be legal depending on the circumstances and local laws.

Find Manual Na Huawei Honor :

his cinderella bride

histoire des roumains biographies historiques

hinomoto tractor parts manual e224

history p2 memorandum november 2014

~~histoires en quatre actes photographique~~

history of fallen angels

history of the seabees defense

history of us student guide

~~histoire de la coreacutec des origines agrave nos jours~~

history mens fashion farid chenoune

history grade 1 exam papers

history and 12 study guide

histoire de rome livre xvi

~~histoire amoureuse des gaules~~

history igcse january paper 2014

Manual Na Huawei Honor :

magneti marelli iaw 9gf 1 2 8v magneti marelli - Oct 05 2022

web magneti marelli mjd8 1 3 fiat 8f2 8f3 8gsf 8gsw 8gmf 8df suzuki 8ds 12v gnd canh canl kline 3 50 88 2 69 70 93 magneti marelli fiat ford iaw 5sf8 iaw 5sf9 iaw 5sf3 1 2 3 4 5

magneti marelli iaw 49f 4af 4ef ecu repair actronics - Jul 14 2023

web magneti marelli iaw 49f 4af 4ef problems we are here to help specialist in remanufacturing and 2 year warranty 92 recommends us submit your order online

magneti marelli iaw 49f 4af 4ef ecu repair - Feb 09 2023

web faulty magneti marelli iaw 49f 4af 4ef with oem iaw 4af pw which needs to be repaired submit a remanufacture order quickly

magneti marelli iaw4mv immo off youtube - Aug 03 2022

web nov 5 2021 0 00 12 08 intro magneti marelli iaw4mv immo off psi company performance 3 43k subscribers subscribe 9 2k views 1 year ago in this video we show

magneti marelli iaw 4av volkswagen obd tuning wiki - Apr 30 2022

web magneti marelli iaw 4av volkswagen from obd tuning wiki jump to navigation search kategorije magneti marelli kategorije volkswagen contents 1 allgemeines 2

iaw 49f 4af 4ef iaw 49f 4af 4ef palio magneti - Mar 10 2023

web e34 1987 1995 e39 1995 2003 e60 e61 2003 2010 f07 f10 f11 f18 2010

magneti marelli iaw 49 secure4 khronos - Jun 01 2022

web jun 12 2023 you could buy guide magneti marelli iaw 49 or get it as soon as achievable we reward for you this right as adeptly as uncomplicated airs to get those all you can

magneti marelli iaw 49 f b 2 petrol injection ecu ebay - Aug 15 2023

web find many great new used options and get the best deals for magneti marelli iaw 49 f b 2 petrol injection ecu at the best online prices at ebay free shipping for many

iaw 4af pp magneti marelli iaw 49f 4af 4ef ecu repair - Jan 08 2023

web faulty magneti marelli iaw 49f 4af 4ef with oem iaw 4af pp which needs to be repaired submit a remanufacture order quickly

magneti marelli Şikayetvar - Sep 04 2022

web magneti marelli şikayet iletişim magneti marelli yorumları ve müşteri hizmetleri şikayetleri için tıklayın magneti marelli için yazılan tüm şikayet ve kullanıcı yorumlarına bakarak

magneti marelli mjd9 1 3 fiat mjd 9df magneti - Mar 30 2022

web magneti marelli fiat ford iaw 5sf8 iaw 5sf9 iaw 5sf3 magneti marelli mjd 1 3 fiat opel suzuki 6jo 6jf 6o2 6o3 6f3 magneti marelli fiat iaw 59f 5af 4af sid801 sid801a

controller iaw49f b2 46744738 fiat magneti marelli 37657 - Feb 26 2022

web iaw 49f b2 46744738 61600 360 05 technical condition used sku ca90 db37657eby part name engine control unit computer ecu part name sterownik iaw49f b2

controller iaw49f b2 46744738 fiat magneti marelli 46695 - Jan 28 2022

web iaw 49f b2 46744738 61600 360 05 technical condition used sku ca186 db46695eby part name engine control unit

computer ecu part name sterownik

operation magneti marelli iaw m t m iaw agneti arelli - Jun 13 2023

web the magneti marelli weber iaw is a fuel injection and ignition control system the control system evaluates signals from different sensors and adjusts fuel metering and ignition

controller iaw49f b9 46744739 fiat magneti marelli 50545 - Apr 11 2023

web iaw 49f b9 46744739 61600 438 01 f 49f b9 hw002 4565 dco technical condition used sku ca215 db50545eby part name engine control unit computer ecu part

magneti marelli türkiye facebook - Dec 07 2022

web magneti marelli türkiye 34 935 likes 93 talking about this magneti marelli türkiye olarak hemen her marka otomobilinizin tüm ihtiyaçlarına cevap verebilmek için magneti

moto guzzi california 1100 adjusting magneti marelli iaw - Jul 02 2022

web you will find a variety of instructions on how to to adjust marelli iaw 15m 15rc injection systems my video is based on the sintonizzazione zucchimoto adjustment

magneti marelli east marine - Nov 06 2022

web magneti marelli marka ürünleri en uygun fiyatlar ücretsiz kargo imkanı ve east marine güvencesiyle almak ve güncel kampanyaları incelemek için tıklayın

magneti marelli parts services catalogue ecu - May 12 2023

web magneti marelli parts services has a dedicated range of products that includes carburettors pfi and picojet injectors pf port fuel indirect injection and gdi the

des mains modernes cina c ma danse photographie t - Jul 01 2022

web des mains modernes cina c ma danse photographie t total chaos jan 18 2021 it s not just rap music hip hop has transformed theater dance performance poetry

des mains modernes cina c ma danse photographie t copy - Mar 09 2023

web kindly say the des mains modernes cina c ma danse photographie t is universally compatible with any devices to read new york magazine 1981 11 23 new york

des mains modernes cina c ma danse photographie t pdf - Dec 06 2022

web jun 26 2023 des mains modernes cina c ma danse photographie t 1 1 downloaded from uniport edu ng on june 26 2023 by guest des mains modernes cina c ma danse

des mains modernes cinéma danse photographie théâtre - Aug 14 2023

web des mains modernes cinéma danse photographie théâtre ebook written by read this book using google play books app on

your pc android ios devices download for

[danse moderne photos and premium high res pictures getty](#) - Dec 26 2021

web find danse moderne stock photos and editorial news pictures from getty images select from premium danse moderne of the highest quality

des mains modernes cina c ma danse photographie t pdf - Nov 05 2022

web jun 10 2023 des mains modernes cina c ma danse photographie t 1 1 downloaded from uniport edu ng on june 10 2023 by guest des mains modernes cina c ma danse

des mains modernes cina c ma danse photographie t - Feb 08 2023

web merely said the des mains modernes cina c ma danse photographie t is universally compatible with any devices to read 2 fluxus codex jon hendricks 1988 10 15 fluxus

44 modern dance photos ideas pinterest - Mar 29 2022

web jan 22 2020 explore teresa simpson s board modern dance photos on pinterest see more ideas about dance photos modern dance dance

[des mains modernes cina c ma danse photographie t pdf](#) - Jan 07 2023

web may 3 2023 des mains modernes cina c ma danse photographie t 2 7 downloaded from uniport edu ng on may 3 2023 by guest alive and relevant tables alphabétique et

des mains modernes cinéma danse photographie théâtre by - Oct 04 2022

web des mains modernes cinéma danse photographie théâtre by emmanuelle andré claudia palazzolo emmanuel siety des mains modernes cinéma danse

des mains modernes cina c ma danse photographie t - Nov 24 2021

web des mains modernes cina c ma danse photographie t 3 8 downloaded from uniport edu ng on may 28 2023 by guest the arcades project walter benjamin 1999

des mains modernes cina c ma danse photographie t witold - May 11 2023

web merely said the des mains modernes cina c ma danse photographie t is universally compatible with any devices to read artificial hells claire bishop 2023 04 04 the award

des mains modernes cinéma danse photographie théâtre by - Apr 29 2022

web des mains modernes cinéma danse photographie théâtre by emmanuelle andré leibniz lettre sur la philosophie chinoise m de rmond cnj balcanizzazione della cina

des mains modernes cina c ma danse photographie t copy - Jul 13 2023

web enter the realm of des mains modernes cina c ma danse photographie t a mesmerizing literary masterpiece penned by a

distinguished author guiding readers on a

[26 idées de mouvements danse en 2022 danse classique](#) - Jan 27 2022

web 28 sept 2022 découvrez le tableau mouvements danse de marie couté sur pinterest voir plus d idées sur le thème danse classique danseuse classique danseurs de ballet

des mains modernes cinéma danse photographie théâtre by - Sep 22 2021

web des mains modernes cinéma danse photographie théâtre by emmanuelle andré claudia palazzolo emmanuel siety french 100 impro 10 scnes cultes du cinma allocin

des mains modernes cina c ma danse photographie t pdf - Sep 03 2022

web merely said the des mains modernes cina c ma danse photographie t is universally compatible with any devices to read a century of artists books riva castleman 1997 09

des mains modernes cina c ma danse photographie t - May 31 2022

web des mains modernes cina c ma danse photographie t documentation and argument in early china the china review or notes and queries on the far east review of

pdf des mains modernes by emmanuelle andre perlego - Jun 12 2023

web cinéma danse photographie théâtre pour ces arts de mise en scène la main de l homme s avère être une donnée anthropologique inévitable et vecteur d une réflexion

[des mains modernes cina c ma danse photographie t pdf](#) - Apr 10 2023

web des mains modernes cina c ma danse photographie t pdf introduction des mains modernes cina c ma danse photographie t pdf 2023 nouveau dictionnaire français

des mains modernes cinéma danse photographie théâtre by - Aug 02 2022

web jun 29 2023 des mains modernes cinéma danse photographie théâtre by emmanuelle andré claudia palazzolo emmanuel siety travers les arts cinéma danse

plus de 100 images de danse moderne et de moderne pixabay - Feb 25 2022

web trouvez des images de danse moderne libre de droits pas d attribution requise des images de haute qualité

des mains modernes cinéma danse photographie théâtre by - Oct 24 2021

web jun 19 2023 cinéma danse photographie théâtre pour ces arts de mise en scène et de cadrage du geste de récréation du corps et de son image la main de l homme

[nkumba university bachelor degree courses offered admissions](#) - Dec 27 2021

web bachelor of clearing and forwarding management bachelor of taxation management bachelor of business law bachelor of science in computer science bachelor of applied computing bachelor of business information technology bachelor of science

in information technology bachelor of human resource management
nkumba university fees structure 2023 2024 admissions - Jun 13 2023

web the management of the nkumba university nu has released the school fees structure to be paid by each undergraduate and postgraduate degree phd masters diploma certificate short course and non degree students respectively for the 2023 2024 academic session

bachelor of science in wildlife and forestry management - Jan 28 2022

web nkumba university provides an enabling environment to help students to develop their competence creativity confidence and character enabling them to be critical and responsive to their environment and act responsibly

nkumba university courses offered fees fee structure - Apr 30 2022

web in this article students can check the nkumba university courses offered nkumba university fees fee structure nkumba university tuition fee are payable at the beginning of each semester detail fee structure and courses offered are given below

bachelor of arts with education secondary nkumba university - Feb 26 2022

web program overview this programme is designed to prepare professionals to become knowledgeable skilled and competent arts teachers in the various fields at the level of secondary education the programme content comprises core professional course units as well as two electives according to the intended area of specialisation

nkumba university ranking 2023 acceptance rate tuition - May 12 2023

web the tuition table for nkumba university gives an overview of costs but prices are approximate and subject to change and don t include accommodation textbooks or living expenses the costs of programs might differ significantly

nkumba university fee structure 2023 2024 eafinder com - Mar 10 2023

web please note that if you have applied for admission to the nkumba university nu or if you are already a student it is advised that you know the current tuition fees for all students and this knowledge will help you avoiding making mistakes that

study at nkumba university nu explore the best of east africa - Aug 03 2022

web nkumba university tuition fees nkumba university nu has a fee structure that is much affordable both to the local and international student their newly introduced fixed tuition fees policy enables parents and students to plan better because they pay a fixed amount from entry to their final semester

tuition or fees structure nkumba university - Aug 15 2023

web nkumba university s tuition and fees structure page provides an overview of the cost of pursuing all our courses our fees are highly competitive making it easy for students to manage their tuition costs we provide a variety of payment options including installment plans and discounts for early payment

nkumba university fee structure what you need to know collegepan - Jun 01 2022

web jun 21 2023 day programme weekend programme distance programme nkumba university fee structure fees click here important please contact or visit the official website of nkumba university for detailed information at nkumbauniversity.ac.ug

bachelors programmes nkumba university - Jul 02 2022

web 3 years bachelor of human resource management this degree programme is designed for those who are interested in a thorough grounding in human resource management it is suitable programme for those who intend to work as human resource managers administrative assistants and supervisors or hold any administrative position

nkumba university fees structure 2023 2024 best online portal - Sep 04 2022

web apr 12 2021 all students of the nkumba university school are advised to pay their tuition fees for the 2023 2024 academic session early to the designated banks as approved by the school management nkumba university school

nkumba university courses and tuition fees structure 2023 2024 - Nov 06 2022

web mar 24 2023 nkumba university courses and tuition fees structure 2023 2024 in addition to tuition fees nkumba university also charges other fees which include registration fees examination fees accommodation fees and functional fees

nkumba university fees structure 2021 2022 2023 2024 - Jan 08 2023

web sep 5 2019 nkumba university fees structure 2021 2022 find more information on nkumba university fees structure tuition fees course fees and payments methods see nkumba university fees structure 2021 2022 below

nkumba university fees structure pdf education economics - Oct 05 2022

web nkumba university fees structure free download as pdf file pdf or read online for free this document shows the fees tuition structure of nkumba university for courses offered at undergraduate level

why nkumba university nkumba university - Mar 30 2022

web nu graduates the university boasts of its alumni who have been blessed to occupy so many key positions across the globe the graduates from nu are equipped with values of competence creativity confidence and character which have supported them to perform excellently in their work places

nkumba university ranking review 2023 unrank - Feb 09 2023

web sep 12 2023 this nkumba university s tuition fees range matrix is divided into 2 types of students local and international students and 2 degree levels undergraduate and postgraduate degrees and aims to help students to have an approximate idea of the yearly tuition range they might expect to pay at nkumba university

admissions nkumba university - Dec 07 2022

web applicants for degree programmes should hold presently there are three avenues of entry to the university i.e. the direct entry scheme the diploma holders entry scheme and the mature age entry scheme these guidelines are in line with national

council for higher education nche

nkumba university entebbe education costs unipage - Apr 11 2023

web for convenience tuition fees are calculated per year tuition fees at nu are different for locals and foreigners uganda citizens pay 1 usd per year while international students pay a minimum of 5 000 usd check the university website for up to date information on prices and scholarships

home nkumba university - Jul 14 2023

web explore the top ranked universities in uganda and find out why nkumba university stands out among the competition discover our world class programs cutting edge research and exceptional faculty on our website make nkumba university your first choice for higher education in uganda