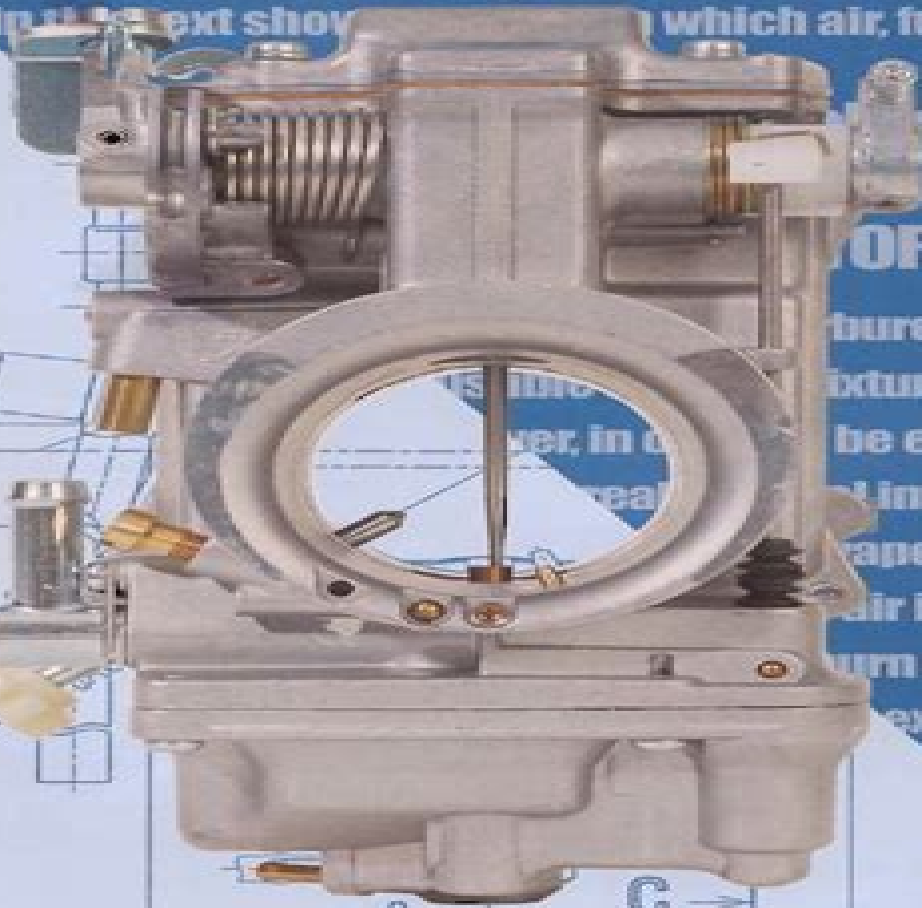


510000

This manual is intended as a guide for users of Mikuni carburetors who want to learn the basic methods of tuning and adjustment for performance and fuel economy. The arrows that appear in the diagrams in this text show the direction of flow of air, fuel, and air-fuel mixture.



M I K U N I

T U N I N G M A N U A L

4th Edition

L. THE THROTTLE VALV

Mikuni Carb Manual

ML Yell



Mikuni Carb Manual:

Mikuni Carburetor and Parts Manual Sudco International Corporation, 1982? **Mikuni Carburetor and Parts Manual** Sudco International, 1982 **Snowmobile Service Manual** Intertec Publishing Corporation. Technical Publications Division, 1971 Chilton's Dodge Caravan & Voyager 1984-91 Repair Manual, 1991 Chilton's Chrysler/Dodge/Plymouth Repair Manual, 1981-88, 1989 These manuals provide comprehensive repair and maintenance information on all makes and model years as indicated for each manufacturer For consumers who stick to one make of car this series will provide multi vehicle information For retailers with limited shelf space this series provides model specific coverage in only five volumes Motor Imported Car Repair Manual, 1983 **Motor Auto Repair Manual, 1982-1988** Motor, 1987 This latest edition of the bestselling Auto Repair Manual covers more than 1 900 models of domestic cars from 1982 1988 and includes more than 55 000 essential service specifications and repair facts as well as 2 500 diagrams cutaways and quick check spec charts Illustrated **WALNECK'S CLASSIC CYCLE TRADER, AUGUST 2001** Causey Enterprises, LLC, **Cycle World Magazine**, 1981-01 Cycle World Magazine, 1977-01 Road and Track, 1986 Chilton's Auto Repair Manual, 1983 Chilton Automotive Books, 1982 Guide to maintenance and repair of every mass produced American car made between 1976 and 1983 **Cycle World**, 1998-07 WALNECK'S CLASSIC CYCLE TRADER, MAY 2004 Causey Enterprises, LLC, WALNECK'S CLASSIC CYCLE TRADER, NOVEMBER 2008 Causey Enterprises, LLC, **WALNECK'S CLASSIC CYCLE TRADER, JANUARY 2009** Causey Enterprises, LLC, **WALNECK'S CLASSIC CYCLE TRADER, SEPTEMBER 2001** Causey Enterprises, LLC, WALNECK'S CLASSIC CYCLE TRADER, JULY 2007 Causey Enterprises, LLC, **Popular Mechanics**, 1982-05 Popular Mechanics inspires instructs and influences readers to help them master the modern world Whether it s practical DIY home improvement tips gadgets and digital technology information on the newest cars or the latest breakthroughs in science PM is the ultimate guide to our high tech lifestyle **Cycle World Magazine**, 1981-01

Mikuni Carb Manual Book Review: Unveiling the Power of Words

In some sort of driven by information and connectivity, the power of words has be more evident than ever. They have the capacity to inspire, provoke, and ignite change. Such may be the essence of the book **Mikuni Carb Manual**, a literary masterpiece that delves deep into the significance of words and their effect on our lives. Written by a renowned author, this captivating work takes readers on a transformative journey, unraveling the secrets and potential behind every word. In this review, we shall explore the book is key themes, examine its writing style, and analyze its overall affect readers.

https://www.splashdogs.com/files/scholarship/Download_PDFS/Fregraveres%20Et%20Soeurs%20Chacun%20Cherche%20Sa%20Place%20Education.pdf

Table of Contents Mikuni Carb Manual

1. Understanding the eBook Mikuni Carb Manual
 - The Rise of Digital Reading Mikuni Carb Manual
 - Advantages of eBooks Over Traditional Books
2. Identifying Mikuni Carb Manual
 - Exploring Different Genres
 - Considering Fiction vs. Non-Fiction
 - Determining Your Reading Goals
3. Choosing the Right eBook Platform
 - Popular eBook Platforms
 - Features to Look for in an Mikuni Carb Manual
 - User-Friendly Interface
4. Exploring eBook Recommendations from Mikuni Carb Manual
 - Personalized Recommendations
 - Mikuni Carb Manual User Reviews and Ratings
 - Mikuni Carb Manual and Bestseller Lists

-
5. Accessing Mikuni Carb Manual Free and Paid eBooks
 - Mikuni Carb Manual Public Domain eBooks
 - Mikuni Carb Manual eBook Subscription Services
 - Mikuni Carb Manual Budget-Friendly Options
 6. Navigating Mikuni Carb Manual eBook Formats
 - ePub, PDF, MOBI, and More
 - Mikuni Carb Manual Compatibility with Devices
 - Mikuni Carb Manual Enhanced eBook Features
 7. Enhancing Your Reading Experience
 - Adjustable Fonts and Text Sizes of Mikuni Carb Manual
 - Highlighting and Note-Taking Mikuni Carb Manual
 - Interactive Elements Mikuni Carb Manual
 8. Staying Engaged with Mikuni Carb Manual
 - Joining Online Reading Communities
 - Participating in Virtual Book Clubs
 - Following Authors and Publishers Mikuni Carb Manual
 9. Balancing eBooks and Physical Books Mikuni Carb Manual
 - Benefits of a Digital Library
 - Creating a Diverse Reading Collection Mikuni Carb Manual
 10. Overcoming Reading Challenges
 - Dealing with Digital Eye Strain
 - Minimizing Distractions
 - Managing Screen Time
 11. Cultivating a Reading Routine Mikuni Carb Manual
 - Setting Reading Goals Mikuni Carb Manual
 - Carving Out Dedicated Reading Time
 12. Sourcing Reliable Information of Mikuni Carb Manual
 - Fact-Checking eBook Content of Mikuni Carb Manual
 - Distinguishing Credible Sources
 13. Promoting Lifelong Learning

-
- Utilizing eBooks for Skill Development
 - Exploring Educational eBooks
14. Embracing eBook Trends
- Integration of Multimedia Elements
 - Interactive and Gamified eBooks

Mikuni Carb Manual Introduction

In today's digital age, the availability of Mikuni Carb Manual books and manuals for download has revolutionized the way we access information. Gone are the days of physically flipping through pages and carrying heavy textbooks or manuals. With just a few clicks, we can now access a wealth of knowledge from the comfort of our own homes or on the go. This article will explore the advantages of Mikuni Carb Manual books and manuals for download, along with some popular platforms that offer these resources. One of the significant advantages of Mikuni Carb Manual books and manuals for download is the cost-saving aspect. Traditional books and manuals can be costly, especially if you need to purchase several of them for educational or professional purposes. By accessing Mikuni Carb Manual versions, you eliminate the need to spend money on physical copies. This not only saves you money but also reduces the environmental impact associated with book production and transportation. Furthermore, Mikuni Carb Manual books and manuals for download are incredibly convenient. With just a computer or smartphone and an internet connection, you can access a vast library of resources on any subject imaginable. Whether you're a student looking for textbooks, a professional seeking industry-specific manuals, or someone interested in self-improvement, these digital resources provide an efficient and accessible means of acquiring knowledge. Moreover, PDF books and manuals offer a range of benefits compared to other digital formats. PDF files are designed to retain their formatting regardless of the device used to open them. This ensures that the content appears exactly as intended by the author, with no loss of formatting or missing graphics. Additionally, PDF files can be easily annotated, bookmarked, and searched for specific terms, making them highly practical for studying or referencing. When it comes to accessing Mikuni Carb Manual books and manuals, several platforms offer an extensive collection of resources. One such platform is Project Gutenberg, a nonprofit organization that provides over 60,000 free eBooks. These books are primarily in the public domain, meaning they can be freely distributed and downloaded. Project Gutenberg offers a wide range of classic literature, making it an excellent resource for literature enthusiasts. Another popular platform for Mikuni Carb Manual books and manuals is Open Library. Open Library is an initiative of the Internet Archive, a non-profit organization dedicated to digitizing cultural artifacts and making them accessible to the public. Open Library hosts millions of books, including both public domain works and contemporary titles. It also allows users to borrow digital copies of certain books for a limited period, similar to a library.

lending system. Additionally, many universities and educational institutions have their own digital libraries that provide free access to PDF books and manuals. These libraries often offer academic texts, research papers, and technical manuals, making them invaluable resources for students and researchers. Some notable examples include MIT OpenCourseWare, which offers free access to course materials from the Massachusetts Institute of Technology, and the Digital Public Library of America, which provides a vast collection of digitized books and historical documents. In conclusion, Mikuni Carb Manual books and manuals for download have transformed the way we access information. They provide a cost-effective and convenient means of acquiring knowledge, offering the ability to access a vast library of resources at our fingertips. With platforms like Project Gutenberg, Open Library, and various digital libraries offered by educational institutions, we have access to an ever-expanding collection of books and manuals. Whether for educational, professional, or personal purposes, these digital resources serve as valuable tools for continuous learning and self-improvement. So why not take advantage of the vast world of Mikuni Carb Manual books and manuals for download and embark on your journey of knowledge?

FAQs About Mikuni Carb Manual Books

1. Where can I buy Mikuni Carb Manual books? Bookstores: Physical bookstores like Barnes & Noble, Waterstones, and independent local stores. Online Retailers: Amazon, Book Depository, and various online bookstores offer a wide range of books in physical and digital formats.
2. What are the different book formats available? Hardcover: Sturdy and durable, usually more expensive. Paperback: Cheaper, lighter, and more portable than hardcovers. E-books: Digital books available for e-readers like Kindle or software like Apple Books, Kindle, and Google Play Books.
3. How do I choose a Mikuni Carb Manual book to read? Genres: Consider the genre you enjoy (fiction, non-fiction, mystery, sci-fi, etc.). Recommendations: Ask friends, join book clubs, or explore online reviews and recommendations. Author: If you like a particular author, you might enjoy more of their work.
4. How do I take care of Mikuni Carb Manual books? Storage: Keep them away from direct sunlight and in a dry environment. Handling: Avoid folding pages, use bookmarks, and handle them with clean hands. Cleaning: Gently dust the covers and pages occasionally.
5. Can I borrow books without buying them? Public Libraries: Local libraries offer a wide range of books for borrowing. Book Swaps: Community book exchanges or online platforms where people exchange books.
6. How can I track my reading progress or manage my book collection? Book Tracking Apps: Goodreads, LibraryThing,

and Book Catalogue are popular apps for tracking your reading progress and managing book collections. Spreadsheets: You can create your own spreadsheet to track books read, ratings, and other details.

7. What are Mikuni Carb Manual audiobooks, and where can I find them? Audiobooks: Audio recordings of books, perfect for listening while commuting or multitasking. Platforms: Audible, LibriVox, and Google Play Books offer a wide selection of audiobooks.
8. How do I support authors or the book industry? Buy Books: Purchase books from authors or independent bookstores. Reviews: Leave reviews on platforms like Goodreads or Amazon. Promotion: Share your favorite books on social media or recommend them to friends.
9. Are there book clubs or reading communities I can join? Local Clubs: Check for local book clubs in libraries or community centers. Online Communities: Platforms like Goodreads have virtual book clubs and discussion groups.
10. Can I read Mikuni Carb Manual books for free? Public Domain Books: Many classic books are available for free as they're in the public domain. Free E-books: Some websites offer free e-books legally, like Project Gutenberg or Open Library.

Find Mikuni Carb Manual :

~~fregraveres et soeurs chacun cherche sa place education~~

fried motzarella stick recipe

frindle common core

fred and theresa holtzclaw answer key chapter 18

from ashes from ashes 1 molly mcadams

freight forwarder standard operating procedure

~~freshman plato learning answers~~

french blanc 2 le on 7

~~frederic bazille 65 masterpieces annotated masterpieces volume 21~~

fridge samsung rs21 repair manual

from little houses to little women revisiting a literary childhood

friends and family day program for church

from radio to religious english edition

fresenius 5008 dialysis machine manual

frigidaire washer repair help

Mikuni Carb Manual :

accounting 1a final exam flashcards quizlet - Apr 11 2023

web study with quizlet and memorize flashcards containing terms like the accounting equation may be expressed as to create relevant and reliable financial statements 2002 to

acct 1a exam 1 flashcards quizlet - Jan 08 2023

web to provide standard treatment of accounting issues d 0 4 the following information is available for a sole trader capital introduced 3 000 closing capital 36 700

accounting exam 1 flashcards quizlet - Mar 30 2022

web may 31 2019 accounting 1a cite download 179 57 kb share embed 28 version 1 2022 03 31 10 28 online resource posted on 2019 06 01 00 00 authored by uj exam

accounting 1a exam 1 spring 2011 section 1 - Mar 10 2023

web study with quizlet and memorize flashcards containing terms like accounting 9 steps of the accounting cycle the accounting equation and more

financial accounting 1a test memo pdf title subject - Nov 25 2021

web during the 2016 accounting cycle love earned 19 400 of revenue incurred 9 800 of expense and paid 500 of dividends revenues and expenses were recognized evenly

accounting basics quiz and test accountingcoach - Oct 25 2021

accounts 1a test 1 warning tt undefined function - Jun 13 2023

web accounting 1a or general accounting 1a acc 111e acg 111e university university of fort hare accounting 1a or general accounting 1a follow this course

accounting 1 practice tests accounting - Apr 30 2022

web studying rv101 accounting 1a at nelson mandela university on studocu you will find 65 practice materials 59 tutorial work 37 lecture notes and much more for rv101

accounting quizzes and practice tests accountingcoach - Aug 03 2022

web accounting 1a acbp5111 d e f p assessment type test paper only total mark allocation 60 marks total hours 1 hour 5 minutes reading time

accounting 1a or general accounting 1a acc 111e acg 111e - May 12 2023

web study guide for the final for accounting 1a at saddleback college learn with flashcards games and more for free

accounting 1a figshare - Dec 27 2021

web do you want to improve your accounting skills click here for the accounting basics practice quiz test your knowledge and learn more at accountingcoach

rv101 mandela accounting 1a studocu - Feb 26 2022

web jun 5 2016 accounting 1a cite download 234 53 kb share embed 13 15 online resource posted on 2016 06 06 00 00

authored by uj exam papers admin uj exam

accounting 2301 uta exam 1 flashcards quizlet - Sep 23 2021

chapter 1 lecture accounting 1a part 1 youtube - Jul 02 2022

web main campus 12345 college blvd overland park ks 66210 913 469 8500 contact jccc

accounts 1a exam warning tt undefined function 32 - Oct 05 2022

web test your accounting skills with our quizzes accountingcoach helps you evaluate your knowledge and provides free online courses for your improvement

financial accounting 1a exam studocu - Sep 04 2022

web jan 30 2014 6 1k views 8 years ago accounting 1a chapter 1 lecture for accounting 1a part 1 what is accounting who are the users of financial information the

accounting 1a test 1 flashcards quizlet - Aug 15 2023

web study with quizlet and memorize flashcards containing terms like role of accounting in business management accounting private accounting and more fresh features from

accounts 1a test 2 warning tt undefined function 32 - Jun 01 2022

web foot and balance a t account step 1 foot the debit and credit sides to foot means to total footing means when you add one side step 2 find the balance by finding the

accounting 1a final exam flashcards quizlet - Dec 07 2022

web accounts 1a exam warning tt undefined function 32 warning tt undefined function 32 module studocu exam from 2019 19 2019 module name module code

accounting 1a final exam study guide flashcards - Feb 09 2023

web accounting 1a final exam flashcards learn test match flashcards learn test match created by katherine griffiths terms in this set 22 the standards

accounting 1a figshare - Jan 28 2022

web view financial accounting 1a test memo pdf from accounting 1 at damelin Pty Ltd Randburg title subject subject code test exam semester date

question paper paper 1 financial accounting november 2021 - Nov 06 2022

web financial accounting 1a exam 2018 title het bcom generics subject financial accounting 1a intro to financial accounting subject code fna 1 10 test exam exam semester 1 st

acbp5111 accounting 1a studocu - Jul 14 2023

web accounting 1a take home exam sa acbp5111 e 2018 exam paper sa acbp5111 e 2016 exam paper used as revision sa acbp5111 e 2015 exam paper

portrait prints for sale at nz s art print specialists since 1966 - Apr 19 2022

web here you can find prints for sale of portrait paintings by famous nz artists like Charles Goldie Frances Hodgkins and Rita Angus through to contemporary art like the series of self portraits by Viky Garden we also love the portrait screenprints of Michael Smither Smither's portraits of his family are a wonderful body of work as much as

a portrait of new zealand amazon com - May 01 2023

web Jan 1 2007 the country's longest standing scenic book a portrait of New Zealand depicts the landscapes of the north and south islands in over 200 photographs the book was first published in 1982 in two separate volumes with the combined edition published in 1988 and reprinted every year since

a portrait of new zealand idioma ingles pdf db udrive - Sep 05 2023

web it is your certainly own grow old to work reviewing habit in the course of guides you could enjoy now is a portrait of New Zealand idioma ingles below a portrait of new zealand idioma ingles 2020 09 12

[a portrait of new zealand idioma inglés by robin smith](#) - Mar 19 2022

web Sep 14 2023 a portrait of new zealand idioma inglés by robin smith May 31st 2020 New York a disturbing cop confrontation with an angry crowd in Brooklyn protesting the fatal police arrest of a black Minnesota man drew the ire of progressive Rep Alexandria Ocasio Cortez The Sims 4 The Sims 4 Legacy Edition

a portrait of new zealand idioma ingles sándor kukovics pdf - Feb 27 2023

web success bordering to the notice as competently as perception of this a portrait of new zealand idioma ingles can be taken as capably as picked to act nineteenth century short title catalogue phase 1 1816 1870 1984 an American tragedy Theodore Dreiser 1971 Clyde Griffiths burning ambition for wealth and

a portrait of new zealand idioma ingles pdf uniport edu - Oct 26 2022

web Mar 6 2023 a portrait of new zealand idioma ingles 1 8 downloaded from uniport.edu.ng on March 6 2023 by guest a portrait of new zealand idioma ingles right here we have countless ebook a portrait of new zealand idioma ingles and

collections to check out we additionally have the funds for variant types and plus type of the books to
[a portrait of new zealand idioma inglés jacobs warren smith](#) - Oct 06 2023

web a portrait of new zealand idioma inglés jacobs warren smith robin amazon es libros

a portrait of new zealand idioma ingles - May 21 2022

web as this a portrait of new zealand idioma ingles it ends occurring bodily one of the favored book a portrait of new zealand idioma ingles collections that we have this is why you remain in the best website to look the amazing books to have aretino s satyr raymond b waddington 2004 01 01 pietro aretino s literary influence

[a portrait of new zealand idioma ingles s hart](#) - Jul 03 2023

web expense of a portrait of new zealand idioma ingles and numerous book collections from fictions to scientific research in any way in the middle of them is this a portrait of new zealand idioma ingles that can be your partner jacinda ardern supriya vani 2021 05 06 it takes courage to be an empathetic leader and i think if anything the

a portrait of new zealand idioma ingles pdf uniport edu - Sep 24 2022

web jun 12 2023 a portrait of new zealand idioma ingles 2 7 downloaded from uniport edu ng on june 12 2023 by guest redoubtable powers of observation following the equator is an evocative and highly unique american portrait of nineteenth century travel and customs sons and lovers d h lawrence 2016 01 14 index part one

[new zealand portrait gallery wikipedia](#) - Jan 29 2023

web the new zealand portrait gallery holds a collection of portraits featuring works by and of new zealanders in the collection are portraits of many influential and well known identities including sir edmund hillary dame kiri te

a portrait of new zealand idioma ingles pdf uniport edu - Aug 24 2022

web apr 8 2023 a portrait of new zealand idioma ingles 2 9 downloaded from uniport edu ng on april 8 2023 by guest life of marsupials c hugh tyndale biscoe 2005 in life of marsupials one of the world s leading experts explores the biology and evolution of this unusual group with their extraordinary diversity of forms around

a portrait of new zealand idioma ingles book - Jul 23 2022

web a portrait of new zealand idioma ingles inequality dec 02 2021 the divide between new zealand s poorest and wealthiest inhabitants has widened alarmingly over recent decades differences in income have grown faster than in

new zealand portrait of a nation amazon com - Jun 21 2022

web jan 1 2009 if you know new zealand at all or are planning on visiting there this is a wonderful book i spent hours reading it and bringing back memories having lived there for 25 years then it disappeared from my coffee table only to be tracked down on my son s coffee table who loved it so much i let him keep it and am getting another copy for

[a portrait of new zealand idioma inglés by robin smith](#) - Mar 31 2023

web a portrait of new zealand idioma inglés by robin smith under the imprint of kowhai publishing robin smith has also had his work published internationally and has now written and photographed more than 20 scenic books about new zealand and australia rodrigo cericatto head of android alo ingressos linkedin

[a portrait of new zealand idioma ingles portal dlc ui edu](#) - Feb 15 2022

web kindly say the a portrait of new zealand idioma ingles is universally compatible with any devices to read a portrait of new zealand idioma ingles downloaded from portal dlc ui edu ng by guest harvey julian

[a portrait of new zealand idioma ingles 2023 ai classmonitor](#) - Jun 02 2023

web a portrait of new zealand idioma ingles 1 a portrait of new zealand idioma ingles national parks of new zealand gottfried lindauer s new zealand portraits of the famous and infamous portrait of new zealand second edition adventure in new zealand from 1839 to 1844 dk eyewitness travel guide new zealand library of congress subject

[a portrait of new zealand idioma inglés jacobs warren](#) - Aug 04 2023

web a portrait of new zealand idioma inglés jacobs warren amazon es libros saltar al contenido principal es hola elige tu dirección todos los departamentos selecciona el departamento que quieras buscar buscar amazon es es hola identifícate cuenta y

a portrait of new zealand idioma ingles ellen wiley todd - Nov 26 2022

web formation of new colonial dialects it examines the genesis of latin american spanish canadian french and north american english but concentrates on australian and south african english with a particular emphasis on the development of the newest major variety of the language new zealand english peter trudgill argues that the linguistic

new zealand portrait gallery - Dec 28 2022

web then and there here and now portraits of samoa presents historical and contemporary photographic portraits of samoans created by both new zealand and samoan photographers the exhibition emphasises how samoan heritage of self presentation has continued or changed over time and space through the examination of dress tatau

fuse box diagram ford fusion 2013 2016 - Apr 14 2023

web here you will find fuse box diagrams of ford fusion 2013 2014 2015 and 2016 get information about the location of the fuse panels inside the car and learn about the assignment of each fuse fuse layout and relay

fuse box diagram ford fusion eu model 2002 2012 - Apr 02 2022

web in this article you will find fuse box diagrams of ford fusion eu model 2002 2003 2004 2005 2006 2007 2008 2009 2010 2011 and 2012 get information about the location of the fuse panels inside the car and learn about the assignment of each fuse fuse layout and relay

fuse box diagram ford fusion 2006 2009 - May 03 2022

web here you will find fuse box diagrams of ford fusion 2006 2007 2008 and 2009 get information about the location of the fuse panels inside the car and learn about the assignment of each fuse fuse layout and relay

ford fusion eu 2002 2012 fuse diagram fusecheck com - May 15 2023

web fuse box diagram fuse layout location and assignment of fuses and relays ford fusion europe model 2002 2003 2004 2005 2006 2007 2008 2009 2010 2011 2012 checking and replacing fuses fuses and circuit breakers protect your vehicle s electrical system from overloading

ford fusion 2013 2018 fuse diagram fusecheck com - Aug 18 2023

web fuse box diagram fuse layout location and assignment of fuses and relays ford fusion 2013 2014 2015 2016 2017 2018 checking and replacing fuses fuses and circuit breakers protect your vehicle s electrical system from overloading

[fuse box diagram ford fusion and relay with assignment and](#) - Jan 11 2023

web diagram functions r1 shutdown a c at wide open throttle r2 high speed engine cooling fan r3 auxiliary heater rts heater r4 auxiliary heater rts heater passenger compartment the main box with fuses and relays is located in the passenger compartment behind the glove compartment

ford fusion fuse box diagrams for all years startmycar - Dec 10 2022

web explore interactive fuse box and relay diagrams for the ford fusion fuse boxes change across years pick the year of your vehicle fuse box diagrams 2020 fusion

ford fusion 2013 2018 fuse box cars fuse box diagrams - Jul 05 2022

web jan 17 2023 ford fusion 2013 2018 fuse box diagram year of manufacture 2013 2014 2015 2016 2017 2018 lighter fuse electrical outlet on ford fusion 2013 2018 is fuse 10 in the fuse box in the instrument panel

fuse box diagram ford - Mar 01 2022

web fuse box diagram location and assignment of electrical fuses for ford fusion eu model 2002 2003 2004 2005 2006 2007 2008 2009 2010 2011 2012 ford galaxy mk3 2006 2014 fuse box diagrams location and assignment of electrical fuses and relays ford galaxy mk3 2006 2007 2008 2009 2010 2011 2012 2013 2014

[ford fusion 2006 2009 fuse box diagram american version](#) - Dec 30 2021

web oct 22 2021 jonathan yarden oct 22 2021 5 min read in this article you will find a description of fuses and relays ford with photos of block diagrams and their locations highlighted the cigarette lighter fuse as the most popular thing people look for get tips on blown fuses replacing a fuse and more year of production 2006 2007 2008 2009

fuse box diagram ford fusion 2017 2020 - Jul 17 2023

web here you will find fuse box diagrams of ford fusion 2017 2018 2019 and 2020 get information about the location of the fuse panels inside the car and learn about the assignment of each fuse fuse layout and relay

fuse box location and diagrams ford fusion eu model 2002 - Aug 06 2022

web jan 28 2019 fuse box location and diagrams ford fusion eu model 2002 2012 see more on our website fuse box info ford ford fusio fuse box diagram location and assignment of electrical fuses

ford fusion 2010 2012 fuse box diagram american version - Jan 31 2022

web may 26 2018 the auxiliary relay box is located in front of the radiator in the engine compartment ford fusion fuse box diagram auxiliary relay box only hybrid warning terminal and harness assignments for individual connectors will vary depending on vehicle equipment level model and market

ford fusion 2006 2009 fuse diagram fusecheck com - Jun 16 2023

web fuse box diagram fuse layout location and assignment of fuses and relays ford fusion 2006 2007 2008 2009 checking and replacing fuses fuses and circuit breakers protect your vehicle s electrical system from overloading

ford fusion ii 2012 2020 fuse box diagrams schemes - Oct 08 2022

web related diagrams schemes ford fusion i 2006 2012 fuse box power distribution box fuses the power distribution box of the ford fusion ii is in the engine compartment it has high current fuses that protect your vehicle s main electrical systems from overloads 1 micro 2 fuse 2 micro 3 fuse 3 m case fuse

2019 ford fusion fuse box diagram startmycar - Nov 09 2022

web 2019 ford fusion fuse box diagram the 2019 ford fusion has 3 different fuse boxes power distribution box diagram power distribution box bottom diagram passenger compartment fuse panel diagram ford fusion fuse box diagrams change across years pick the right year of your vehicle

ford fusion 2002 2012 fuse box diagram europe version - Sep 07 2022

web sep 24 2015 ford fusion fuse label a fuse number b circuits protected c location l left and r right d fuse rating amperes symbol description see owner s handbook airbag

fuse box diagram ford fusion 2010 2012 - Mar 13 2023

web here you will find fuse box diagrams of ford fusion 2011 and 2012 get information about the location of the fuse panels inside the car and learn about the assignment of each fuse fuse layout and relay see other ford fusion ford fusion 2006 2009 ford fusion 2013 2016 ford fusion 2017 2018

fuse box location and diagrams ford fusion 2017 2019 - Feb 12 2023

web jan 28 2019 154k subscribers 52k views 4 years ago see more on our website fuse box info ford ford fusio fuse box diagram location and assignment of electrical fuses and relays for ford fusion

fuse box diagram ford fusion hybrid energi 2016 2020 - Jun 04 2022

web here you will find fuse box diagrams of ford fusion hybrid fusion energi 2016 2017 2018 2019 and 2020 get information

about the location of the fuse panels inside the car and learn about the assignment of each fuse fuse layout and relay see
other ford fusion ford fusion 2006 2009 ford fusion 2010 2012 ford fusion