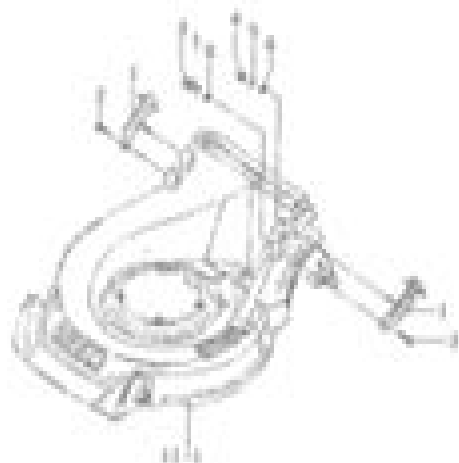
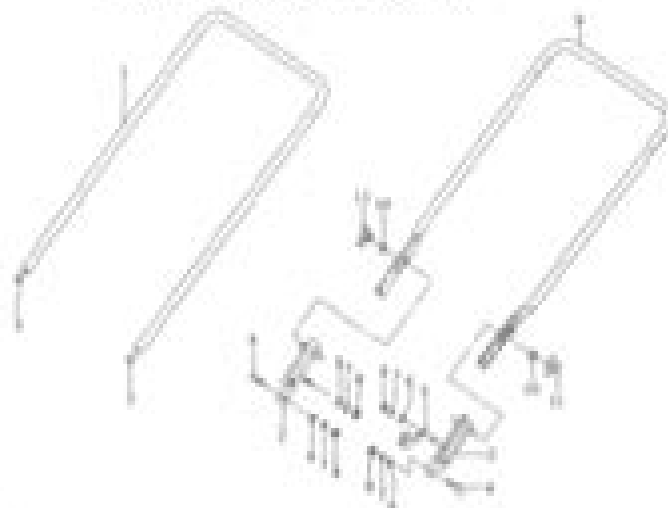


FIG. 15 HANDLE/BRACKET SYSTEM
Mancheron



REF	PART CODE Part No.	DESCRIPTION	Quantity	UNIT OF MEASUREMENT			L	W	H	WEIGHT Reference
				UNIT	QTY	UNIT				
1	000 00 000 00	MANCHERON	1	UNIT	1	UNIT				
2	000 00 000 00	MANCHERON	1	UNIT	1	UNIT				
3	000 00 000 00	MANCHERON	1	UNIT	1	UNIT				
4	000 00 000 00	MANCHERON	1	UNIT	1	UNIT				
5	000 00 000 00	MANCHERON	1	UNIT	1	UNIT				
6	000 00 000 00	MANCHERON	1	UNIT	1	UNIT				

FIG. 16 HANDLE/BRACKET SYSTEM (EXCEPT G TYPE)
Mancheron (excepte modèle G)



REF	PART CODE Part No.	DESCRIPTION	Quantity	UNIT OF MEASUREMENT			L	W	H	WEIGHT Reference
				UNIT	QTY	UNIT				
1	000 00 000 00	MANCHERON	1	UNIT	1	UNIT				
2	000 00 000 00	MANCHERON	1	UNIT	1	UNIT				
3	000 00 000 00	MANCHERON	1	UNIT	1	UNIT				
4	000 00 000 00	MANCHERON	1	UNIT	1	UNIT				
5	000 00 000 00	MANCHERON	1	UNIT	1	UNIT				
6	000 00 000 00	MANCHERON	1	UNIT	1	UNIT				
7	000 00 000 00	MANCHERON	1	UNIT	1	UNIT				
8	000 00 000 00	MANCHERON	1	UNIT	1	UNIT				
9	000 00 000 00	MANCHERON	1	UNIT	1	UNIT				
10	000 00 000 00	MANCHERON	1	UNIT	1	UNIT				
11	000 00 000 00	MANCHERON	1	UNIT	1	UNIT				

Iseki Sw 521 Manual

JA Banks



Iseki Sw 521 Manual:

Reviewing **Iseki Sw 521 Manual**: Unlocking the Spellbinding Force of Linguistics

In a fast-paced world fueled by information and interconnectivity, the spellbinding force of linguistics has acquired newfound prominence. Its capacity to evoke emotions, stimulate contemplation, and stimulate metamorphosis is actually astonishing. Within the pages of "**Iseki Sw 521 Manual**," an enthralling opus penned by a highly acclaimed wordsmith, readers embark on an immersive expedition to unravel the intricate significance of language and its indelible imprint on our lives. Throughout this assessment, we shall delve into the book's central motifs, appraise its distinctive narrative style, and gauge its overarching influence on the minds of its readers.

<https://www.splashdogs.com/About/browse/fetch.php/hummer%20phone%20user%20manual.pdf>

Table of Contents Iseki Sw 521 Manual

1. Understanding the eBook Iseki Sw 521 Manual
 - The Rise of Digital Reading Iseki Sw 521 Manual
 - Advantages of eBooks Over Traditional Books
2. Identifying Iseki Sw 521 Manual
 - Exploring Different Genres
 - Considering Fiction vs. Non-Fiction
 - Determining Your Reading Goals
3. Choosing the Right eBook Platform
 - Popular eBook Platforms
 - Features to Look for in an Iseki Sw 521 Manual
 - User-Friendly Interface
4. Exploring eBook Recommendations from Iseki Sw 521 Manual
 - Personalized Recommendations
 - Iseki Sw 521 Manual User Reviews and Ratings
 - Iseki Sw 521 Manual and Bestseller Lists

5. Accessing Iseki Sw 521 Manual Free and Paid eBooks
 - Iseki Sw 521 Manual Public Domain eBooks
 - Iseki Sw 521 Manual eBook Subscription Services
 - Iseki Sw 521 Manual Budget-Friendly Options
6. Navigating Iseki Sw 521 Manual eBook Formats
 - ePub, PDF, MOBI, and More
 - Iseki Sw 521 Manual Compatibility with Devices
 - Iseki Sw 521 Manual Enhanced eBook Features
7. Enhancing Your Reading Experience
 - Adjustable Fonts and Text Sizes of Iseki Sw 521 Manual
 - Highlighting and Note-Taking Iseki Sw 521 Manual
 - Interactive Elements Iseki Sw 521 Manual
8. Staying Engaged with Iseki Sw 521 Manual
 - Joining Online Reading Communities
 - Participating in Virtual Book Clubs
 - Following Authors and Publishers Iseki Sw 521 Manual
9. Balancing eBooks and Physical Books Iseki Sw 521 Manual
 - Benefits of a Digital Library
 - Creating a Diverse Reading Collection Iseki Sw 521 Manual
10. Overcoming Reading Challenges
 - Dealing with Digital Eye Strain
 - Minimizing Distractions
 - Managing Screen Time
11. Cultivating a Reading Routine Iseki Sw 521 Manual
 - Setting Reading Goals Iseki Sw 521 Manual
 - Carving Out Dedicated Reading Time
12. Sourcing Reliable Information of Iseki Sw 521 Manual
 - Fact-Checking eBook Content of Iseki Sw 521 Manual
 - Distinguishing Credible Sources
13. Promoting Lifelong Learning

- Utilizing eBooks for Skill Development
 - Exploring Educational eBooks
14. Embracing eBook Trends
- Integration of Multimedia Elements
 - Interactive and Gamified eBooks

Iseki Sw 521 Manual Introduction

In the digital age, access to information has become easier than ever before. The ability to download Iseki Sw 521 Manual has revolutionized the way we consume written content. Whether you are a student looking for course material, an avid reader searching for your next favorite book, or a professional seeking research papers, the option to download Iseki Sw 521 Manual has opened up a world of possibilities. Downloading Iseki Sw 521 Manual provides numerous advantages over physical copies of books and documents. Firstly, it is incredibly convenient. Gone are the days of carrying around heavy textbooks or bulky folders filled with papers. With the click of a button, you can gain immediate access to valuable resources on any device. This convenience allows for efficient studying, researching, and reading on the go. Moreover, the cost-effective nature of downloading Iseki Sw 521 Manual has democratized knowledge. Traditional books and academic journals can be expensive, making it difficult for individuals with limited financial resources to access information. By offering free PDF downloads, publishers and authors are enabling a wider audience to benefit from their work. This inclusivity promotes equal opportunities for learning and personal growth. There are numerous websites and platforms where individuals can download Iseki Sw 521 Manual. These websites range from academic databases offering research papers and journals to online libraries with an expansive collection of books from various genres. Many authors and publishers also upload their work to specific websites, granting readers access to their content without any charge. These platforms not only provide access to existing literature but also serve as an excellent platform for undiscovered authors to share their work with the world. However, it is essential to be cautious while downloading Iseki Sw 521 Manual. Some websites may offer pirated or illegally obtained copies of copyrighted material. Engaging in such activities not only violates copyright laws but also undermines the efforts of authors, publishers, and researchers. To ensure ethical downloading, it is advisable to utilize reputable websites that prioritize the legal distribution of content. When downloading Iseki Sw 521 Manual, users should also consider the potential security risks associated with online platforms. Malicious actors may exploit vulnerabilities in unprotected websites to distribute malware or steal personal information. To protect themselves, individuals should ensure their devices have reliable antivirus software installed and validate the legitimacy of the websites they are downloading from. In conclusion, the ability to download Iseki Sw 521 Manual has transformed the way we access information. With the

convenience, cost-effectiveness, and accessibility it offers, free PDF downloads have become a popular choice for students, researchers, and book lovers worldwide. However, it is crucial to engage in ethical downloading practices and prioritize personal security when utilizing online platforms. By doing so, individuals can make the most of the vast array of free PDF resources available and embark on a journey of continuous learning and intellectual growth.

FAQs About Iseki Sw 521 Manual Books

How do I know which eBook platform is the best for me? Finding the best eBook platform depends on your reading preferences and device compatibility. Research different platforms, read user reviews, and explore their features before making a choice. Are free eBooks of good quality? Yes, many reputable platforms offer high-quality free eBooks, including classics and public domain works. However, make sure to verify the source to ensure the eBook credibility. Can I read eBooks without an eReader? Absolutely! Most eBook platforms offer web-based readers or mobile apps that allow you to read eBooks on your computer, tablet, or smartphone. How do I avoid digital eye strain while reading eBooks? To prevent digital eye strain, take regular breaks, adjust the font size and background color, and ensure proper lighting while reading eBooks. What the advantage of interactive eBooks? Interactive eBooks incorporate multimedia elements, quizzes, and activities, enhancing the reader engagement and providing a more immersive learning experience. Iseki Sw 521 Manual is one of the best book in our library for free trial. We provide copy of Iseki Sw 521 Manual in digital format, so the resources that you find are reliable. There are also many Ebooks of related with Iseki Sw 521 Manual. Where to download Iseki Sw 521 Manual online for free? Are you looking for Iseki Sw 521 Manual PDF? This is definitely going to save you time and cash in something you should think about.

Find Iseki Sw 521 Manual :

[*hummer phone user manual*](#)

[husqvarna automatic type 21 manual](#)

[human inheritance and pedigree anlysis lab answers](#)

[**husqvarna 345 f brush cutter parts manual**](#)

[human services specialist exam study guide](#)

[hurricane manuel puerto vallarta](#)

[hundredth 2 minutes conversion chart](#)

[human resource management gary dessler 13th edition ppt](#)

hunted and whipped submissive training academy book english edition

human geography guided readings 7 key

[human resource management 13 edition mondy](#)

[human resource management paper](#)

[human physiology 12th edition fox study guide](#)

[hunter r611 operating manual](#)

husqvarna 340 chainsaw repair manual

Iseki Sw 521 Manual :

[download the pragmatic bookshelf yumpu](#) - Jul 03 2022

web download the pragmatic bookshelf en english deutsch français español português italiano român nederlands latina dansk svenska norsk magyar bahasa indonesia türkçe suomi latvian lithuanian česk

pragmatic bookshelf bookshop - Feb 27 2022

web the pragmatic bookshelf has been helping professional developers since 2003 we create timely practical books on classic and cutting edge topics to help you learn and practice your craft and accelerate your career

[the pragmatic bookshelf 105 books goodreads](#) - Jan 09 2023

web 105 books based on 9 votes the pragmatic programmer from journeyman to master by andy hunt domain modeling made functional tackle software complexity

pragmatic bookshelf by developers for developers pragprog - Aug 16 2023

web categories browse all categories android i os and mobile architecture design and testing audio books beta brain teasers cloud and networking data and data science

pragmatic bookshelf by developers for developers - Sep 05 2022

web aug 2 2023 pragmatic bookshelf by developers for developers we improve the lives of professional developers we create timely practical books on classic and cutting edge topics to help you learn and practice your craft and accelerate your career come learn with us

pragpub on medium articles from the archives by pragpub - Jan 29 2022

web aug 10 2021 the pragmatic programmers bring you archives from pragpub a magazine on web and mobile development by editor michael swaine of dr dobb s journal fame follow more from pragpub and the

[publishers o reilly media](#) - Nov 07 2022

web the pragmatic programmers are publishers of practical accessible books on software development techniques and business practices the pragmatic bookshelf imprint features books written by developers for developers with titles that reflect the award winning pragmatic programmer style

pragmatic bookshelf by developers for developers - Oct 06 2022

web the pragmatic programmers guide noel rappin with dave thomas 2023 cruising along with java modernize and modularize with the latest features venkat subramaniam 2023 distributed services with go your guide to [programming clojure third edition the pragmatic programmer](#) - Mar 31 2022

web isbn 13 978 1 68050 246 6 encoded using the finest acid free high entropy binary digits book version p1 0 february 2018 functional programming fp is a big topic not to be learned in 21 days1 or in a single chapter of a book

pragmatic bookshelf by developers for developers - Mar 11 2023

web harness the power of streams and lambda expressions venkat subramaniam 2023 programming ruby 3 2 5th edition the pragmatic programmers guide noel rappin with dave thomas 2023 python testing with pytest

practical programming 2nd edition the pragmatic programmer - Aug 04 2022

web where those designations appear in this book and the pragmatic programmers llc was aware of a trademark claim the designations have been printed in initial capital letters or in all capitals the pragmatic starter kit the pragmatic programmer pragmatic programming pragmatic bookshelf pragprog and the linking g device are trade

download the pragmatic bookshelf yumpu - Jun 14 2023

web mar 22 2015 download the pragmatic bookshelf epaper read download epaper tags methods dynamic method pragmatic purchase ruby symbols download component dispatch bookshelf media pragprog com media pragprog com create successful epaper yourself turn your pdf publications into a flip book with our unique

[about the pragmatic programmer](#) - Apr 12 2023

web tammy coron is the managing editor and gamedev series editor at the pragmatic bookshelf she s also an author illustrator animator and indie game developer with over 30 years of experience in the creative tech space tammy is an innovative problem solver and industry leader working on various projects from content creation including books

pragmatic bookshelf by developers for developers - Jul 15 2023

web 2024 a common sense guide to data structures and algorithms in python volume 1 level up your core programming skills jay wengrow 2024 agile retrospectives second edition a practical guide for catalyzing team learning and improvement esther derby diana larsen david horowitz

pragmatic forums - Dec 28 2021

web we improve the lives of professional developers we create timely practical books on classic and cutting edge topics to

help you learn and practice your craft and accelerate your career come learn with us

programming flutter the pragmatic programmer - May 01 2022

web the pragmatic bookshelf raleigh north carolina many of the designations used by manufacturers and sellers to distinguish their products are claimed as trademarks where those designations appear in this book and the pragmatic download on linux tar xz archive a 655mb download on windows zip archive or a 786mb download on

download the pragmatic bookshelf yumpu - Jun 02 2022

web download the pragmatic bookshelf en english deutsch français espagnol português italiano român nederlands latina dansk svenska norsk magyar bahasa indonesia türkçe suomi latvian lithuanian český русский български unknown

the pragmatic bookshelf search on z library - May 13 2023

web the pragmatic bookshelf search on z library z library download books for free find books

the pragmatic bookshelf torrossa - Feb 10 2023

web 1 2 3 8 next content type eb e book 158 file format pdf 158 year of publication 2021 19 2016 2020 76 2006 2015 61 other years 2 language english 158 author subramaniam venkat 8 hogan brian 6 rothman johanna 4 tate bruce 4 thomas dave 4 burnham trevor 3 copeland david 3 dees ian 3 hellesoy aslak 3

frequently asked questions the pragmatic programmer - Dec 08 2022

web we improve the lives of professional developers we create timely practical books on classic and cutting edge topics to help you learn and practice your craft and accelerate your career come learn with us

cómo crear una estrategia de marketing digital kinsta - Jun 16 2022

web feb 20 2023 una estrategia de marketing digital es una estrategia llevada a cabo para alcanzar objetivos empresariales específicos a través de canales online tu estrategia de marketing digital puede incluir estrategias de pago y orgánicas como la publicidad de pago por clic la optimización de los motores de búsqueda seo la publicidad en las

visibilidad por qué es importante comprender y estandarizar esta - Mar 26 2023

web babak pahlavan abril de 2019 babak pahlavan director sénior de administración de productos en google nos cuenta sobre la importancia de la visibilidad de los anuncios tanto en las campañas de rendimiento como en las de branding

cómo mejorar la visibilidad online de tu mooder marketing - Aug 31 2023

web estrategias de marketing digital para ganar visibilidad y reputación de marca online existen distintas estrategias de marketing b2b para empresas que quieren ganar más visibilidad en la red antes de empezar una estrategia de marketing digital deberemos tener en cuenta tres factores clave que nos ayudarán a elegir las acciones de marketing

10 estrategias para aumentar la visibilidad online de tu negocio - May 28 2023

web marketing digital 10 estrategias para aumentar la visibilidad online de tu negocio si no apuestas por la visibilidad online

de tu negocio solo conseguirás una cosa desaparecer en el extenso océano de internet pon en práctica estas 10 tácticas si quieres aumentar la visibilidad online de tu marca y que los usuarios te encuentren

cómo hacer para que mi empresa sea visible en internet - Mar 14 2022

web jun 17 2020 fijar reuniones cara a cara repartir flyers asistir a reuniones de la cámara de comercio membresías a grupos de networking y también tocando puertas este método ya no es efectivo no solamente no es efectivo sino que de un día para otro y en un abrir y cerrar de ojos dejó de funcionar

por qué es tan importante que tu marca tenga visibilidad online - Aug 19 2022

web ebook gratuito descarga ahora estrategias y tácticas que mejor funcionan para aumentar la visibilidad online de tu marca existen muchas tácticas y estrategias para aumentar la visibilidad online de una marca todas ellas requieren mucho esfuerzo e inversión de capital no te pienses que conseguir que tu web sea visible es pan comido

trucos para ganar visibilidad en internet beedigital - Oct 21 2022

web may 12 2021 1 seguidores en redes calidad por encima de cantidad 2 trabaja el seo 3 campañas publicitarias con banners 4 potencia tu marca 5 colabora con otros negocios la visibilidad en internet se define como la presencia de una marca y sus productos o servicios en el entorno online de los consumidores

visibilidad online marketing digital 2019 crear w pdf copy - Feb 10 2022

web visibilidad online marketing digital 2019 crear w pdf a literary masterpiece penned by a renowned author readers set about a transformative journey unlocking the secrets and untapped potential embedded within each word

visibilidad online 6 fases para el éxito digital de tu negocio - Jul 30 2023

web apr 1 2019 visibilidad online ayudará a tu web o negocio a generar más tráfico nuevos clientes y más ingresos fase 1 genera dinero mientras duermes ideas para crear negocios online e ingresos pasivos a través de internet fase 2 crea una web con wordpress desde cero una web completa y profesional desde

visibilidad online marketing digital 2019 crear web con - Sep 19 2022

web curso de marketing digital gratis y online 100 practico 10 estrategias para aumentar la visibilidad online de tu 10 tendencias de marketing online para 2019 master gratuito en marketing digital o lograr una visibilidad enorme en nuestras fanpages

marketing digital cómo aumentar la visibilidad de tu web - Jul 18 2022

web en resumen el marketing digital es una herramienta esencial para cualquier negocio que busque aumentar su visibilidad en línea y llegar a su público objetivo al utilizar estrategias como el seo la publicidad en redes sociales y el marketing de correo electrónico puedes aumentar la visibilidad de tu negocio y asegurarte de que tu marca

visibilidad digital 8 estrategias para impulsarla en el 2022 - Nov 21 2022

web apr 22 2020 como ves la visibilidad digital es un factor determinante para la competitividad de las empresas de hoy que puede ser impulsado a través de la integración de diversas estrategias y buenas prácticas de marketing 2 0 y 3 0

visibilidad online marketing digital 2019 crear w pdf oldcove - May 16 2022

web visibilidad online marketing digital 2019 crear w the new positioning the latest on the world s 1 business strategy jack trout 1997 05 22 in the same right to the point no nonsense style that was a hallmark of positioning this sequel squares off against critical marketing challenges such as how to make sure your message gets through in

4 acciones esenciales para mejorar la visibilidad online de tu marca - Feb 22 2023

web 4 Únete a la conversación online opina y conversa además del blogging si debido a su actividad productiva tu marca se ha especializado en algún área específica del conocimiento es muy recomendable que participe en foros que opine y que converse con consumidores y distintos públicos de interés si por ejemplo tu marca es una

7 estrategias para ganar visibilidad online para tu web - Jan 24 2023

web feb 10 2020 qué es la visibilidad online por qué es tan importante la visibilidad de las empresas en internet cómo aumentar la visibilidad de tu negocio en internet 7 estrategias eficaces 1 tráfico controlado la importancia de la publicidad online google ads la plataforma de anuncios publicitarios de google facebook ads

descargar visibilidad online marketing digital 2019 crear web - Oct 01 2023

web jul 21 2020 descarga visibilidad online marketing digital 2019 crear web con wordpress posicionamiento seo google analytics publicidad online facebook y usabilidad para empresas y emprendedores en 2019 de bernat riera libro pdf lee ahora download

cómo mejorar tu visibilidad online gmol solutions - Apr 14 2022

web a continuación te contamos cómo podemos ayudarte a mejorar tu visibilidad online seo optimización de motores de búsqueda la optimización de motores de búsqueda seo es una de las formas más efectivas de mejorar la visibilidad de tu sitio web en línea

qué es la visibilidad en internet masterseosem - Dec 23 2022

web qué es la visibilidad en internet la visibilidad en internet es un concepto fundamental del marketing digital que hace referencia a la capacidad de una marca o una web para ser vista ya sea mediante la aparición en los resultados de búsqueda de google o de otras plataformas o en campañas de anuncios de pago la capacidad para aparecer en las

estrategia de visibilidad online ocho tácticas fundamentales - Apr 26 2023

web aug 10 2021 si hablamos de visibilidad online nos referimos directamente a la presencia de una marca y sus productos en el entorno digital del consumidor entre otras cosas la visibilidad permite a los usuarios encontrar el sitio web por su cuenta mejorar la reputación e imagen y destacarse por sobre la competencia

[visibilidad online marketing digital 2019 crear w janine berg](#) - Jun 28 2023

web visibilidad online marketing digital 2019 crear w getting the books visibilidad online marketing digital 2019 crear w now is not type of inspiring means you could not lonely going like ebook amassing or library or borrowing from your associates to read them this is an agreed simple means to specifically acquire lead by on line

mark antony s heroes how the third gallica legion saved an - Apr 29 2022

web mark antony s heroes how the third gallica legion saved an apostle and created an emperor description this fourth book in dando collins s definitive history of rome s

mark antony s heroes how the third gallica legion - Jun 12 2023

web nov 3 2006 mark antony s heroes how the third gallica legion saved an apostle and created an emperor this fourth book in dando collins s definitive history of

mark antony s heroes how the third gallica legion saved an - Jul 01 2022

web mark antony s heroes how the third gallica legion saved an apostle and created an emperor 1st edition kindle edition by stephen dando collins author format kindle

mark antony s heroes how the third gallica legion saved an - May 31 2022

web buy mark antony s heroes how the third gallica legion saved an apostle and created an emperor by stephen dando collins online at alibris we have new and used copies

mark antony s heroes how the third gallica legion saved an - Jan 27 2022

web nov 10 2022 p mark antony s heroes how the third gallica legion saved an apostle and created an emperor br by dando collins stephen br br may have

mark antony s heroes how the third gallica legion saved an - Jan 07 2023

web mar 8 2010 mark antony s heroes how the third gallica legion saved an apostle and created an emperor 1st edition kindle edition by stephen dando collins author

[mark antonys heroes how the third gallica legion saved an](#) - Dec 26 2021

web nov 3 2006 mark antony s heroes how the third gallica legion saved an apostle and created an emperor dando collins stephen 9780471788997 amazon com

mark antony s heroes how the third gallica legion saved an - Feb 25 2022

web jun 22 2023 mark antonys heroes how the third gallica legion saved an apostle and mark antonys heroes how the third gallica legion saved an apostle and so

[mark antony s heroes how the third gallica legion saved an](#) - Oct 04 2022

web dec 3 2012 this fourth book in dando collins definitive history of rome s legions tells the story of rome s 3rd gallica

legion which put vespasian on the throne and saved the

mark antony s heroes how the third gallica legion saved an - Nov 24 2021

mark antony s heroes how the third gallica legion saved an - Aug 14 2023

web feb 1 2008 mark antony s heroes how the third gallica legion saved an apostle and created an emperor dando collins stephen 9780470224533 amazon com books books history world buy new 13 72 list price 15 95 save 2 23 14 fast free

mark antony s heroes how the third gallica legion saved an - Sep 03 2022

web this fourth book in dando collins definitive history of rome s legions tells the story of rome s 3rd gallica legion which put vespasian on the throne and saved the life of the

mark antony s heroes how the third gallica legion saved an - Aug 02 2022

web buy mark antony s heroes how the third gallica legion saved an apostle and created an emperor by stephen dando collins online at alibris we have new and used copies

mark antony s heroes how the third gallica legion saved an - Apr 10 2023

web may 17 2016 buy mark antony s heroes how the third gallica legion saved an apostle and created an emperor unabridged by dando collins stephen fitzgibbon

mark antony s heroes how the third gallica legion saved an - Mar 29 2022

web buy a cheap copy of mark antony s heroes how the third book by stephen dando collins this fourth book in dando collins s definitive history of rome s legions tells the

mark antony s heroes how the third gallica legion - Mar 09 2023

web synopsis about this title about this edition this fourth book in dando collins s definitive history of rome s legions tells the story of rome s 3rd gallica legion which put

mark antony s heroes how the third gallica legion saved an - May 11 2023

web mar 11 2008 buy mark antony s heroes how the third gallica legion saved an apostle and created an emperor illustrated by dando collins stephen isbn

mark antony s heroes how the third gallica legion saved an - Dec 06 2022

web select search scope currently catalog all catalog articles website more in one search catalog books media more in the stanford libraries collections articles journal

mark antony s heroes how the third gallica legion - Jul 13 2023

web mark antony s heroes how the third gallica legion saved an apostle and created an emperor dando collins stephen free download borrow and streaming internet

mark antony s heroes how the third gallica legion saved an - Oct 24 2021

amazon com mark antony s heroes how the third - Nov 05 2022

web feb 1 2008 mark antony s heroes how the third gallica legion saved an apostle and created an emperor by stephen dando collins paperback first edition 15 95

mark antony s heroes how the third gallica legion saved an - Feb 08 2023

web this fourth book in dando collins s definitive history of rome s legions tells the story of rome s 3rd gallica legion which put vespasian on the throne and saved the life of the