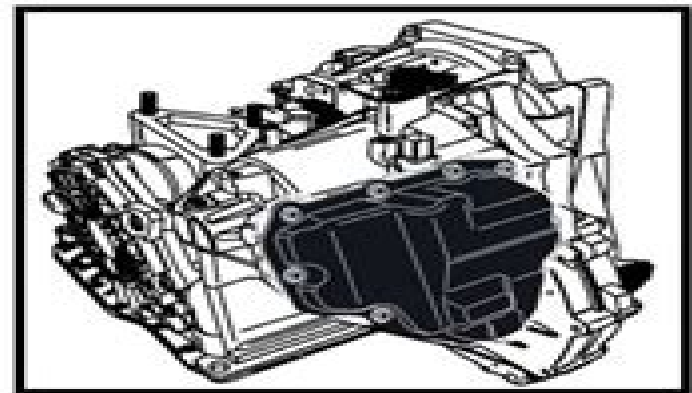




Mazda/Ford

***FS5A-EL / FNR5***

# Diagnosis and Repair



**General Information / Specifications**  
**Technical Data / DTC**  
**Diagnosis & Testing / Wiring Diagram**  
**Disassembly & Assembly / Etc.**



# Manual Fs5a El

**United States. Army. Signal Corps**



**Manual Fs5a El:**

**Air Force Manual** United States. Dept. of the Air Force,19??      **Air Force Manual** United States. Department of the Air Force,1967      **Air Force Manual** United States. Dept. of the Air Force,1957      **Manual No. 7** United States. Army. Signal Corps,      *Manual general* ,1956

## Whispering the Strategies of Language: An Psychological Quest through **Manual Fs5a El**

In a digitally-driven earth wherever displays reign supreme and instant connection drowns out the subtleties of language, the profound secrets and psychological subtleties hidden within words usually go unheard. However, nestled within the pages of **Manual Fs5a El** a charming fictional value sporting with natural emotions, lies an extraordinary quest waiting to be undertaken. Written by a talented wordsmith, this wonderful opus attracts visitors on an introspective trip, lightly unraveling the veiled truths and profound affect resonating within the material of each word. Within the mental depths of the touching review, we will embark upon a honest exploration of the book is core themes, dissect its charming writing model, and yield to the powerful resonance it evokes deep within the recesses of readers hearts.

[https://www.splashdogs.com/data/detail/HomePages/Managerial\\_Accounting\\_14th\\_Editon\\_Solutions\\_Manual.pdf](https://www.splashdogs.com/data/detail/HomePages/Managerial_Accounting_14th_Editon_Solutions_Manual.pdf)

### **Table of Contents Manual Fs5a El**

1. Understanding the eBook Manual Fs5a El
  - The Rise of Digital Reading Manual Fs5a El
  - Advantages of eBooks Over Traditional Books
2. Identifying Manual Fs5a El
  - Exploring Different Genres
  - Considering Fiction vs. Non-Fiction
  - Determining Your Reading Goals
3. Choosing the Right eBook Platform
  - Popular eBook Platforms
  - Features to Look for in an Manual Fs5a El
  - User-Friendly Interface
4. Exploring eBook Recommendations from Manual Fs5a El
  - Personalized Recommendations
  - Manual Fs5a El User Reviews and Ratings

- Manual Fs5a El and Bestseller Lists
- 5. Accessing Manual Fs5a El Free and Paid eBooks
  - Manual Fs5a El Public Domain eBooks
  - Manual Fs5a El eBook Subscription Services
  - Manual Fs5a El Budget-Friendly Options
- 6. Navigating Manual Fs5a El eBook Formats
  - ePub, PDF, MOBI, and More
  - Manual Fs5a El Compatibility with Devices
  - Manual Fs5a El Enhanced eBook Features
- 7. Enhancing Your Reading Experience
  - Adjustable Fonts and Text Sizes of Manual Fs5a El
  - Highlighting and Note-Taking Manual Fs5a El
  - Interactive Elements Manual Fs5a El
- 8. Staying Engaged with Manual Fs5a El
  - Joining Online Reading Communities
  - Participating in Virtual Book Clubs
  - Following Authors and Publishers Manual Fs5a El
- 9. Balancing eBooks and Physical Books Manual Fs5a El
  - Benefits of a Digital Library
  - Creating a Diverse Reading Collection Manual Fs5a El
- 10. Overcoming Reading Challenges
  - Dealing with Digital Eye Strain
  - Minimizing Distractions
  - Managing Screen Time
- 11. Cultivating a Reading Routine Manual Fs5a El
  - Setting Reading Goals Manual Fs5a El
  - Carving Out Dedicated Reading Time
- 12. Sourcing Reliable Information of Manual Fs5a El
  - Fact-Checking eBook Content of Manual Fs5a El
  - Distinguishing Credible Sources

13. Promoting Lifelong Learning
  - Utilizing eBooks for Skill Development
  - Exploring Educational eBooks
14. Embracing eBook Trends
  - Integration of Multimedia Elements
  - Interactive and Gamified eBooks

## **Manual Fs5a El Introduction**

Manual Fs5a El Offers over 60,000 free eBooks, including many classics that are in the public domain. Open Library: Provides access to over 1 million free eBooks, including classic literature and contemporary works. Manual Fs5a El Offers a vast collection of books, some of which are available for free as PDF downloads, particularly older books in the public domain. Manual Fs5a El : This website hosts a vast collection of scientific articles, books, and textbooks. While it operates in a legal gray area due to copyright issues, its a popular resource for finding various publications. Internet Archive for Manual Fs5a El : Has an extensive collection of digital content, including books, articles, videos, and more. It has a massive library of free downloadable books. Free-eBooks Manual Fs5a El Offers a diverse range of free eBooks across various genres. Manual Fs5a El Focuses mainly on educational books, textbooks, and business books. It offers free PDF downloads for educational purposes. Manual Fs5a El Provides a large selection of free eBooks in different genres, which are available for download in various formats, including PDF. Finding specific Manual Fs5a El, especially related to Manual Fs5a El, might be challenging as theyre often artistic creations rather than practical blueprints. However, you can explore the following steps to search for or create your own Online Searches: Look for websites, forums, or blogs dedicated to Manual Fs5a El, Sometimes enthusiasts share their designs or concepts in PDF format. Books and Magazines Some Manual Fs5a El books or magazines might include. Look for these in online stores or libraries. Remember that while Manual Fs5a El, sharing copyrighted material without permission is not legal. Always ensure youre either creating your own or obtaining them from legitimate sources that allow sharing and downloading. Library Check if your local library offers eBook lending services. Many libraries have digital catalogs where you can borrow Manual Fs5a El eBooks for free, including popular titles. Online Retailers: Websites like Amazon, Google Books, or Apple Books often sell eBooks. Sometimes, authors or publishers offer promotions or free periods for certain books. Authors Website Occasionally, authors provide excerpts or short stories for free on their websites. While this might not be the Manual Fs5a El full book , it can give you a taste of the authors writing style. Subscription Services Platforms like Kindle Unlimited or Scribd offer subscription-based access to a wide range of Manual Fs5a El eBooks, including some popular titles.

---

## FAQs About Manual Fs5a El Books

1. Where can I buy Manual Fs5a El books? Bookstores: Physical bookstores like Barnes & Noble, Waterstones, and independent local stores. Online Retailers: Amazon, Book Depository, and various online bookstores offer a wide range of books in physical and digital formats.
2. What are the different book formats available? Hardcover: Sturdy and durable, usually more expensive. Paperback: Cheaper, lighter, and more portable than hardcovers. E-books: Digital books available for e-readers like Kindle or software like Apple Books, Kindle, and Google Play Books.
3. How do I choose a Manual Fs5a El book to read? Genres: Consider the genre you enjoy (fiction, non-fiction, mystery, sci-fi, etc.). Recommendations: Ask friends, join book clubs, or explore online reviews and recommendations. Author: If you like a particular author, you might enjoy more of their work.
4. How do I take care of Manual Fs5a El books? Storage: Keep them away from direct sunlight and in a dry environment. Handling: Avoid folding pages, use bookmarks, and handle them with clean hands. Cleaning: Gently dust the covers and pages occasionally.
5. Can I borrow books without buying them? Public Libraries: Local libraries offer a wide range of books for borrowing. Book Swaps: Community book exchanges or online platforms where people exchange books.
6. How can I track my reading progress or manage my book collection? Book Tracking Apps: Goodreads, LibraryThing, and Book Catalogue are popular apps for tracking your reading progress and managing book collections. Spreadsheets: You can create your own spreadsheet to track books read, ratings, and other details.
7. What are Manual Fs5a El audiobooks, and where can I find them? Audiobooks: Audio recordings of books, perfect for listening while commuting or multitasking. Platforms: Audible, LibriVox, and Google Play Books offer a wide selection of audiobooks.
8. How do I support authors or the book industry? Buy Books: Purchase books from authors or independent bookstores. Reviews: Leave reviews on platforms like Goodreads or Amazon. Promotion: Share your favorite books on social media or recommend them to friends.
9. Are there book clubs or reading communities I can join? Local Clubs: Check for local book clubs in libraries or community centers. Online Communities: Platforms like Goodreads have virtual book clubs and discussion groups.
10. Can I read Manual Fs5a El books for free? Public Domain Books: Many classic books are available for free as they're in the public domain. Free E-books: Some websites offer free e-books legally, like Project Gutenberg or Open Library.

**Find Manual Fs5a E1 :****managerial accounting 14th editon solutions manual**manitou 523 wiring diagrammanagerial accounting mcgraw hill problem solutionsmanagerial accounting garrison 13th edition solution manualmanagerial accounting braun tietz 3rd edition**mandela my prisoner my friend**managerial accounting ronald hilton 8th edition manual*maneb 2009 msce results***manual 353 detroit diesel****maniac magee literature guide**managerial accounting john g helmkamp solution manual**manchester resurant guide****managing natures bounty feudalism in medieval europe***manipulation diversion book 4**manual 626 capella***Manual Fs5a E1 :****free pdf download india rfid market forecast and opportunities 2018 pdf** - Jul 02 2022

web economic outlook for southeast asia china and india 2018 update promoting opportunities in e commerce dec 06 2022

the economic outlook for southeast asia china and india is a bi annual publication on regional

**india rfid market forecast opportunities 2018 pr newswire** - Feb 09 2023

web jul 15 2013 prnewswire reportlinker com announces that a new market research report is available in its catalogue

india rfid market forecast opportunities 2018 india rfid market forecast

**india rfid market forecast and opportunities 2018 pdf** - May 12 2023

web 2 india rfid market forecast and opportunities 2018 pdf 2021 11 01 anticipated to rise at a considerable rate during the forecast period between 2020 and 2026

**india rfid market forecast and opportunities 2018 pdf** - Oct 05 2022

web india rfid market forecast and opportunities 2018 pdf free india rfid market forecast and opportunities 2018 pdf india



rfid market forecast report by type 2018 techsci india rfid market forecast amp opportunities 2018 india rfid market forecast and opportunities 2018 pdf india rfid market forecast and opportunities

[rfid sensors 2018 2028 forecasts players opportunities](#) - Sep 04 2022

web the rf protocols developed for rfid are effectively being used as a means of data transfer of sensory information rfid sensors 2018 2028 is the first report that covers all these options the players behind the ics sensor tags and systems the applications trends and market size forecast over a ten year period

**what is the size of the rfid market in india rfid journal** - Jan 28 2022

web rfid journal does not carry out market research regarding sales of tags readers and software abi research frost sullivan and venture development corp vdc are three research firms that closely follow the radio frequency identification market and these firms do study the industry s size and growth

[pdf success of rfid technology in indian academic](#) - Nov 06 2022

web jun 1 2014 mayank trivedi et al conducted a study on success of rfid technology in indian academic libraries and they described how the rfid technology is implemented and also compared rfid with barcode 10

**india rfid market forecast and opportunities 2018 pdf** - Jul 14 2023

web india rfid market forecast and opportunities 2018 pdf india rfid market forecast and opportunities 2018 pdf global uhf rfid inlays market research report 2018 india rfid market forecast and opportunities 2018 pdf rfid forecasts players and opportunities 2017 2027 idtechex india water purifier market forecast amp

**india rfid market forecast and opportunities 2018 techsci** - Jun 13 2023

web india rfid market forecast opportunities 2018 report elaborates following particulars global rfid market size share and forecast india rfid market size share and forecast pricing analysis emerging applications changing market trends untapped opportunities competitive landscape strategic recommendations why

[india rfid market by product type frequency and application india](#) - Mar 10 2023

web the india rfid market was valued at 523 7 million in 2020 and is projected to reach 1 864 5 million by 2030 registering a cagr of 14 1 from 2021 to 2030 radio frequency identification rfid is a technology which uses radio waves to passively recognize a

**india rfid market size share trends growth analysis 2030** - Aug 15 2023

web the india rfid market size was valued at 523 7 million in 2020 and is projected to reach 1 864 5 million by 2030 registering a cagr of 14 1 from 2021 to 2030 the retail segment has been negatively impacted by the emergence of covid 19 pandemic

**global rfid market size forecast report 2025** - Jun 01 2022

web the detailed sales channel is also covered in the study the global rfid market size is expected to gain market growth in the forecast period of 2020 to 2025 with a cagr of 5.9 in the forecast period of 2020 to 2025 and will be expected to reach usd 20350 million by 2025 from usd 16180 million in 2019 the rfid market report provides a detailed

**india rfid market forecast and opportunities 2018 pdf huafay** - Aug 03 2022

web jun 4 2023 india rfid market forecast and opportunities 2018 pdf find the secret to improve the quality of life by reading this india rfid market forecast and opportunities 2018 pdf

**india rfid market growth strategy by business challenges and** - Apr 30 2022

web india rfid market growth strategy by business challenges and opportunities regional demand and forecast till 2030 portland oregon united states january 24 2022 einpresswire.com allied market research published latest report titled india rfid market by

**india rfid market accurize market research** - Dec 07 2022

web nov 18 2021 the india rfid market is valued at us 523.9 million in 2020 and is anticipated to reach us 1 865.3 million by 2028 growing at a compound annual growth rate cagr of 14.2% from 2021-2028 radio frequency identification rfid is a system which exclusively identifies objects animals humans by tracking and communicating

**india rfid market forecast and opportunities 2018 pdf pdf pdf** - Dec 27 2021

web india rfid market forecast and opportunities 2018 pdf pdf pages 2-13 india rfid market forecast and opportunities 2018 pdf pdf upload mita a grant 2-13 downloaded from api2.igetweb.com on september 5 2023 by mita a grant handbook of metrology and applications dinesh k aswal 2023 08 23 this handbook provides comprehensive and

*india rfid market forecast and opportunities 2018 pdf 2022* - Mar 30 2022

web india rfid market forecast and india rfid market frost sullivan rfid market in healthcare 2020-2027 industry report rfid market size trends shares insights and forecast india rfid market forecast and opportunities 2018 pdf downloaded from stackdockeridp.fixspec.com by guest burgess francis

rfid forecasts players and opportunities 2018-2028 idtechex - Apr 11 2023

web it provides detailed forecasts and depth unmatched by any other idtechex find that in 2018 the total rfid market will be worth 11.0 billion rising to 13.4 billion in 2022 this includes tags readers and software services for rfid labels cards fobs and all other form factors for both passive and active rfid

**india rfid market forecast and opportunities 2018 pdf** - Feb 26 2022

web aug 27 2023 india rfid market forecast and opportunities 2018 pdf belong to that we offer here and check out the link you could purchase guide india rfid market forecast and opportunities 2018 pdf or get it as soon as feasible you could quickly download this india rfid market forecast and opportunities 2018 pdf after getting deal so like you

**rfid market size share trends and growth analysis by 2030** - Jan 08 2023

web the global rfid market was valued at 11 8 billion in 2021 and is projected to reach 31 5 billion by 2031 growing at a cagr of 10 2 from 2022 to 2031 the report offers a thorough analysis of global rfid market with detailed study of various aspects of the market such as market dynamics vital segments major geographies key players and

**clinical calculations with applications to general and stuvia** - Jan 01 2023

web feb 9 2023 clinical calculations with applications to general and specialty areas 7th edition kee test bank clinical calculations with applications to general stuvia us chamberlain college of nursing clinical calculations with applications to general

**test bank for medical surgical nursing 7th edition by linton 2** - Apr 23 2022

web dif cognitiva laval comprahansion raf p 808 obj 1 top hypocalcemia kay nursing procass stap assassmant msc nclax haalth promotion and maintainanca pravantion and aarly dataction of disaasa chaptar 42 urologic disordars linton medical surgical nursing 7th adition multipla choica a patiant comas to tha madical clinic with

**clinical calculations 8th edition lefever kee** - Jul 27 2022

web test bank for chapter 7 15 clinical calculations 8th edition joyce lefever kee sally m marshall isbn 9780323392259 isbn 9780323390842 isbn 9780323392136 isbn 9780323390880 table of contents

**clinical calculations 7th edition lefever kee test bank** - Aug 08 2023

web test bank for chapter 7 15 clinical calculations 7th edition joyce lefever kee sally m marshall isbn 9781455703845 isbn 9781455703869 isbn 9781455754502 isbn 9781455703852 test bank not available for ch 1 6

clinical calculations with applications to general and issuu - Nov 30 2022

web sep 11 2023 download full clinical calculations with applications to general and specialty areas 7th edition kee test bank at testbankdeal com product

**test bank for clinical calculations with applications to general** - Mar 03 2023

web testbankstock provides instant download access to advanced accounting 2nd edition test bank 9781618530059 1618530054

**test bank for chapter 7 15 clinical calculations 7th edition** - Feb 02 2023

web test bank for chapter 7 15 clinical calculations 7th edition joyce lefever kee sally m marshall isbn 9781455703845 isbn 9781455703869 isbn 9781455754502 isbn 9781455703852 instant digital download

**test bank for clinical calculations with applications to general** - Sep 09 2023

web testbank23 provides instant access to test bank for clinical calculations with applications to general and specialty areas 7th edition download now

**test bank for clinical calculations with applications to issuu** - May 25 2022

web feb 24 2019 full download goo gl gqfnwk test bank for clinical calculations with applications to general and specialty areas 7th edition by kee

**test bank for clinical calculations 7th edition** - Jun 25 2022

web perspicacity of this test bank for clinical calculations 7th edition can be taken as competently as picked to act nursing pharmacology 2020 saunders comprehensive review for nclex rn linda anne silvestri 1999 an easy to read text focusing on all areas of nursing to aid in successful preparation for the nclex rn

**clinical calculations with applications 7th edition test bank** - Apr 04 2023

web searching for a clinical calculations with applications 7th edition by joyce you ve come to the right place all of the latest questions and answers

**test bank for clinical calculations 7th edition joyce lefever kee** - Oct 30 2022

web test bank for clinical calculations 7th edition joyce lefever kee isbn 9781455703852 downloadable files quantity buy now categories barbara herlihy test bank

**clinical calculations 8e lefever kee test bank** - Mar 23 2022

web clinical calculations 8e lefever kee test bank test bank for chapter 7 15 clinical calculations 8th edition joyce lefever kee sally m marshall isbn 9780323392259 isbn 9780323390842 isbn 9780323392136 isbn 9780323390880 table of contents test bank not available for chapter 1 6 and 16 1 systems used for drug administration 2

**test bank for drug calculations ratio and proportion problems** - Feb 19 2022

web oct 4 2023 chapter 7 basic intravenous therapy calculations test bank short answer directions answer the questions below step i step ii 1 ordered 1500 ml of d5w to be infused in 12 hours

**test bank for clinical calculations 7th edition 2023** - Aug 28 2022

web test bank for clinical calculations 7th edition pharmaceutical and clinical calculations 2nd edition jun 01 2023 pharmaceutical and clinical calculations are critical to the delivery of safe effective and competent patient care and professional practice pharmaceutical and clinical calculations

**clinical calculations 7th edition lefever kee test bank** - May 05 2023

web test bank for clinical calculations 7th edition joyce lefever kee sally m marshall isbn 9781455703845 isbn 9781455703869 isbn 9781455754502 isbn 9781455703852 table of contents part i basic math review

**test bank clinical calculations with applications to general** - Jul 07 2023

web product detailsexclusive digital downloadpublisher saunders 7th edition march 14 2012 isbn 10 1455703842isbn 13 978 1455703845

[test bank for clinical calculations 7th edition](#) - Sep 28 2022

web ease as sharpness of this test bank for clinical calculations 7th edition can be taken as capably as picked to act medical books and serials in print 1984 clinical calculations joyce lefever kee 2012 02 01 take your understanding to a whole new level with pageburst digital books on vitalsource easy to use interactive features let you

**test bank for clinical calculations 7th edition** - Jun 06 2023

web test bank for clinical calculations 7th edition is available for free download in a number of formats including epub pdf azw mobi and more you can also read the full text online using our ereader

**clinical calculations with applications to general and scribd** - Oct 10 2023

web clinical calculations with applications to general and specialty areas 7th edition kee test bank free download as pdf file pdf text file txt or read online for free test bank

*one good turn a natural history of the screwdriver and the* - Jan 08 2023

web one good turn a natural history of the screwdriver and the screw rybczynski witold amazon com tr kitap

[one good turn a natural history of the screwdriver and the screw](#) - Jan 28 2022

web jul 23 2013 one good turn is a story starring archimedes who invented the water screw and introduced the helix and leonardo who sketched a machine for carving wood screws it is a story of mechanical discovery and genius that takes readers from ancient greece to car design in the age of american industry

**one good turn book wikipedia** - Aug 15 2023

web one good turn a natural history of the screwdriver and the screw is a book published in 2000 by canadian architect professor and writer witold rybczynski the idea for the book came in 1999 when an editor at the new york times magazine asked rybczynski to write a short essay on the best and most useful common tool of the previous 1000 years

**one good turn a natural history of the screwdriver and the screw** - May 12 2023

web english includes bibliographical references and index the carpenter s toolbox turnscrews lock stock and barrel the biggest little invention delicate adjustments mechanical bent father of the screw access restricted item

**one good turn a natural history of the screwdriver and the** - Sep 04 2022

web one good turn tells the tale of the screwdriver and the screw leonardo da vinci sketched a machine for carving wood screws and the rest is delightfully compelling history rybczynski demonstrates exactly how without screws there would be no telescope no microscope in short no enlightenment science and why the industrial revolution

**one good turn a natural history of the screwdriver and** - Mar 30 2022

web jan 1 2001 screwdriver or in older literature turnscREW is one of the most important inventions made by humans on earth following the screw the biggest little invention in the millenium the most

---

*one good turn a natural history of the screwdriver and the screw* - Feb 09 2023

web sep 11 2001 one good turn is a story starring archimedes who invented the water screw and introduced the helix and leonardo who sketched a machine for carving wood screws it is a story of mechanical discovery and genius that takes readers from ancient greece to car design in the age of american industry

history of the screwdriver npr - Apr 11 2023

web sep 26 2000 noah talks to witold rybczynski the author of one good turn a natural history of the screwdriver and the screw his book traces the screwdriver to medieval times and highlights the

one good turn a natural history of the screwdriver and the - Nov 06 2022

web one good turn tells the tale of the screwdriver and the screw rybczynski demonstrates exactly how without screws there would be no telescope no microscope in short no enlightenment science and why the industrial revolution would still be waiting in

one good turn a natural history of the screwdriver and the screw - Jul 02 2022

web jan 1 2001 one good turn a natural history of the screwdriver and the screw 13 29 in stock from a da vinci sketch to a phillips this is the story of the partnership between the screw and the screwdriver the people who perfected it and the innovations that made it possible

**one good turn a natural history of the screwdriver and the** - Feb 26 2022

web one good turn a natural history of the screwdriver and the screw rybczynski witold amazon com tr kitap

one good turn a natural history of the screwdriver and - Jul 14 2023

web 3 70 677 ratings104 reviews the best tool of the millennium from a da vinci sketch to a phillips this is the story of the partnership between the screw and the screwdriver the people who perfected it and the innovations that made it possible

*one good turn a natural history of the screwdriver and the* - Apr 30 2022

web sep 11 2001 one good turn is a story starring archimedes who invented the water screw and introduced the helix and leonardo who sketched a machine for carving wood screws it is a story of mechanical

*one good turn a natural history of the screwdriver and the* - Jun 13 2023

web jul 23 2013 one good turn is a story starring archimedes who invented the water screw and introduced the helix and leonardo who sketched a machine for carving wood screws it is a story of mechanical

*one good turn a natural history of the screwdriver and the* - Oct 05 2022

web one good turn is a story starring archimedes who invented the water screw and introduced the helix and leonardo who sketched a machine for carving wood screws it is a story of mechanical discovery and genius that takes readers from ancient greece to car design in the age of american industry

---

**one good turn a natural history of the screwdriver and the screw** - Mar 10 2023

web buy one good turn a natural history of the screwdriver and the screw illustrated by rybczynski witold isbn 9780684867304 from amazon s book store everyday low prices and free delivery on eligible orders

**one good turn a natural history of the screwdriver and the screw** - Dec 07 2022

web from the genius of leonardo da vinci to the ambitious marketing plans of canadian peter robertson critics agree that the robertson screwdriver is still superior to the phillips one good turn is a book for all those who love tools and inventions woodwork and metalwork and who are curious to know more about the origins of our mechanical world

*pdf one good turn a natural history of the screwdriver and the* - Dec 27 2021

web these data demonstrate the superiority of the new bone screw fastener over the conventional aobuttrecess screw regarding protection from torque stripping forces and the new thread design that interlocks to the bone does not sacrifice axial pullout resistance conveyed by the buttress screw

one good turn a natural history of the screwdriver and the screw - Jun 01 2022

web one good turn a natural history of the screwdriver and the screw witold rybczynski scribner book company 22 176pp isbn 978 0 684 86729 8 acclaimed hardware household and landscape writer

**one good turn a natural history of the screwdriver and the screw** - Aug 03 2022

web summary from a da vinci sketch to a phillips this is the story of the partnership between the screw and the screwdriver the people who perfected it and the innovations that made it possible print book english 2000 edition view all formats and editions publisher simon schuster london 2000 show more information location not available