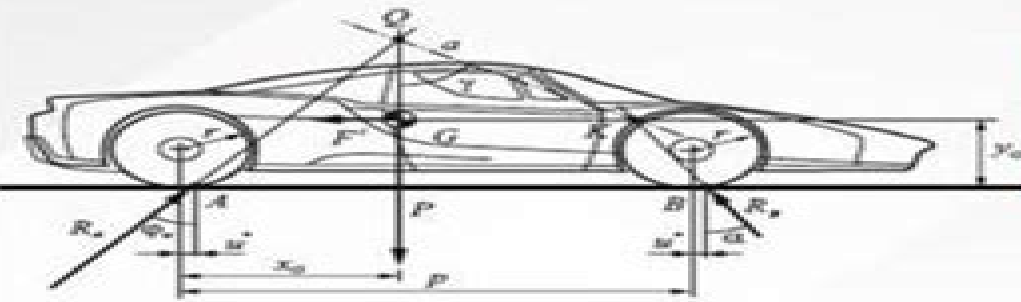


Giorgio Figliolini
Chiara Lanni



MECCANICA APPLICATA ALLE MACCHINE

Applicazioni di dinamica dei sistemi meccanici



E3 Società Editrice
ESCULAPIO

libroscienzeuniversitaria.it

Meccanica Applicata Alle Macchine

N Noddings



Meccanica Applicata Alle Macchine:

Meccanica Applicata Alle Macchine Book Review: Unveiling the Power of Words

In a world driven by information and connectivity, the energy of words has become more evident than ever. They have the capacity to inspire, provoke, and ignite change. Such is the essence of the book **Meccanica Applicata Alle Macchine**, a literary masterpiece that delves deep to the significance of words and their effect on our lives. Published by a renowned author, this captivating work takes readers on a transformative journey, unraveling the secrets and potential behind every word. In this review, we shall explore the book's key themes, examine its writing style, and analyze its overall effect on readers.

<https://www.splashdogs.com/files/scholarship/Documents/Millipore%20Elix%2020%20Guide.pdf>

Table of Contents Meccanica Applicata Alle Macchine

1. Understanding the eBook Meccanica Applicata Alle Macchine
 - The Rise of Digital Reading Meccanica Applicata Alle Macchine
 - Advantages of eBooks Over Traditional Books
2. Identifying Meccanica Applicata Alle Macchine
 - Exploring Different Genres
 - Considering Fiction vs. Non-Fiction
 - Determining Your Reading Goals
3. Choosing the Right eBook Platform
 - Popular eBook Platforms
 - Features to Look for in an Meccanica Applicata Alle Macchine
 - User-Friendly Interface
4. Exploring eBook Recommendations from Meccanica Applicata Alle Macchine
 - Personalized Recommendations
 - Meccanica Applicata Alle Macchine User Reviews and Ratings
 - Meccanica Applicata Alle Macchine and Bestseller Lists
5. Accessing Meccanica Applicata Alle Macchine Free and Paid eBooks

- Meccanica Applicata Alle Macchine Public Domain eBooks
 - Meccanica Applicata Alle Macchine eBook Subscription Services
 - Meccanica Applicata Alle Macchine Budget-Friendly Options
6. Navigating Meccanica Applicata Alle Macchine eBook Formats
 - ePub, PDF, MOBI, and More
 - Meccanica Applicata Alle Macchine Compatibility with Devices
 - Meccanica Applicata Alle Macchine Enhanced eBook Features
 7. Enhancing Your Reading Experience
 - Adjustable Fonts and Text Sizes of Meccanica Applicata Alle Macchine
 - Highlighting and Note-Taking Meccanica Applicata Alle Macchine
 - Interactive Elements Meccanica Applicata Alle Macchine
 8. Staying Engaged with Meccanica Applicata Alle Macchine
 - Joining Online Reading Communities
 - Participating in Virtual Book Clubs
 - Following Authors and Publishers Meccanica Applicata Alle Macchine
 9. Balancing eBooks and Physical Books Meccanica Applicata Alle Macchine
 - Benefits of a Digital Library
 - Creating a Diverse Reading Collection Meccanica Applicata Alle Macchine
 10. Overcoming Reading Challenges
 - Dealing with Digital Eye Strain
 - Minimizing Distractions
 - Managing Screen Time
 11. Cultivating a Reading Routine Meccanica Applicata Alle Macchine
 - Setting Reading Goals Meccanica Applicata Alle Macchine
 - Carving Out Dedicated Reading Time
 12. Sourcing Reliable Information of Meccanica Applicata Alle Macchine
 - Fact-Checking eBook Content of Meccanica Applicata Alle Macchine
 - Distinguishing Credible Sources
 13. Promoting Lifelong Learning
 - Utilizing eBooks for Skill Development

- Exploring Educational eBooks
14. Embracing eBook Trends
- Integration of Multimedia Elements
 - Interactive and Gamified eBooks

Meccanica Applicata Alle Macchine Introduction

In the digital age, access to information has become easier than ever before. The ability to download Meccanica Applicata Alle Macchine has revolutionized the way we consume written content. Whether you are a student looking for course material, an avid reader searching for your next favorite book, or a professional seeking research papers, the option to download Meccanica Applicata Alle Macchine has opened up a world of possibilities. Downloading Meccanica Applicata Alle Macchine provides numerous advantages over physical copies of books and documents. Firstly, it is incredibly convenient. Gone are the days of carrying around heavy textbooks or bulky folders filled with papers. With the click of a button, you can gain immediate access to valuable resources on any device. This convenience allows for efficient studying, researching, and reading on the go. Moreover, the cost-effective nature of downloading Meccanica Applicata Alle Macchine has democratized knowledge. Traditional books and academic journals can be expensive, making it difficult for individuals with limited financial resources to access information. By offering free PDF downloads, publishers and authors are enabling a wider audience to benefit from their work. This inclusivity promotes equal opportunities for learning and personal growth. There are numerous websites and platforms where individuals can download Meccanica Applicata Alle Macchine. These websites range from academic databases offering research papers and journals to online libraries with an expansive collection of books from various genres. Many authors and publishers also upload their work to specific websites, granting readers access to their content without any charge. These platforms not only provide access to existing literature but also serve as an excellent platform for undiscovered authors to share their work with the world. However, it is essential to be cautious while downloading Meccanica Applicata Alle Macchine. Some websites may offer pirated or illegally obtained copies of copyrighted material. Engaging in such activities not only violates copyright laws but also undermines the efforts of authors, publishers, and researchers. To ensure ethical downloading, it is advisable to utilize reputable websites that prioritize the legal distribution of content. When downloading Meccanica Applicata Alle Macchine, users should also consider the potential security risks associated with online platforms. Malicious actors may exploit vulnerabilities in unprotected websites to distribute malware or steal personal information. To protect themselves, individuals should ensure their devices have reliable antivirus software installed and validate the legitimacy of the websites they are downloading from. In conclusion, the ability to download Meccanica Applicata Alle Macchine has transformed the way we access information. With the convenience, cost-

effectiveness, and accessibility it offers, free PDF downloads have become a popular choice for students, researchers, and book lovers worldwide. However, it is crucial to engage in ethical downloading practices and prioritize personal security when utilizing online platforms. By doing so, individuals can make the most of the vast array of free PDF resources available and embark on a journey of continuous learning and intellectual growth.

FAQs About Meccanica Applicata Alle Macchine Books

How do I know which eBook platform is the best for me? Finding the best eBook platform depends on your reading preferences and device compatibility. Research different platforms, read user reviews, and explore their features before making a choice. Are free eBooks of good quality? Yes, many reputable platforms offer high-quality free eBooks, including classics and public domain works. However, make sure to verify the source to ensure the eBook credibility. Can I read eBooks without an eReader? Absolutely! Most eBook platforms offer web-based readers or mobile apps that allow you to read eBooks on your computer, tablet, or smartphone. How do I avoid digital eye strain while reading eBooks? To prevent digital eye strain, take regular breaks, adjust the font size and background color, and ensure proper lighting while reading eBooks. What the advantage of interactive eBooks? Interactive eBooks incorporate multimedia elements, quizzes, and activities, enhancing the reader engagement and providing a more immersive learning experience. Meccanica Applicata Alle Macchine is one of the best book in our library for free trial. We provide copy of Meccanica Applicata Alle Macchine in digital format, so the resources that you find are reliable. There are also many Ebooks of related with Meccanica Applicata Alle Macchine. Where to download Meccanica Applicata Alle Macchine online for free? Are you looking for Meccanica Applicata Alle Macchine PDF? This is definitely going to save you time and cash in something you should think about.

Find Meccanica Applicata Alle Macchine :

millipore elix 20 guide

[millstones-small grain manual](#)

[milady standard study guide 2013](#)

[milady stand cosmetology 2015 course management guide](#)

[milan tr tp hb 1600 hubs owners manual](#)

[mini cd boost manual](#)

[mighty max repair manual](#)

[milady standard professional barbering](#)

mindset grade 1 life science paper 2 final exam

[military afqt asvab study guide](#)

[military application forms for 2015 south africa](#)

[miller welding guide fcaw](#)

~~[million dollar baby anastasia crib user guide](#)~~

[miller furnace m1 manual](#)

[military personnel manual](#)

Meccanica Applicata Alle Macchine :

2 5 ion formation chemistry libretexts - Sep 22 2023

web the atoms of a polyatomic ion are tightly bonded together and so the entire ion behaves as a single unit the figures below show several examples figure pageindex 1 the ammonium ion left ce nh 4 right is a nitrogen atom blue bonded to four hydrogen atoms white

formation of ionic compounds practice questions with answers - Jul 08 2022

web we studied in ionic bond how ionic compounds are formed now it's your turn to try to answer some questions if you have any difficulty understanding the answers please read our explanation of formation of sodium chloride explain the formation of calcium fluoride caf 2 answer use lewis symbols to show electron transfer between magnesium

3 e ionic bonding and simple ionic compounds exercises i - May 18 2023

web use lewis diagrams to illustrate the formation of an ionic compound from a potassium atom and an iodine atom when the following atoms become ions what charges do they acquire li

4 9 ion formation chemistry libretexts - Jul 20 2023

web an atom that has gained or lost one or more electrons is called an ion an ion always has a charge that is positive or negative an ion with a positive charge is called a cation while an ion with a negative charge is called an anion

[gcse ions formation and drawing ions worksheets with answers](#) - Oct 11 2022

web oct 30 2023 gcse ions formation and drawing ions worksheets with answers subject chemistry age range 14 16 resource type worksheet activity file previews pptx 660 43 kb brilliant differentiated worksheets with answers 17 worksheets in total including the answers 10 activities in total

forming ions ionic compounds aqa gcse combined - Jun 19 2023

web ions form when atoms lose or gain electrons close electron subatomic particle with a negative charge and a negligible

mass relative to protons and neutrons to obtain a full outer shell

[3 5 formation of ions and ionic compounds chemistry libretexts](#) - Oct 23 2023

web give the symbol and name for the ion with 34 protons and 36 electrons answer se 2 the selenide ion

[ion formation phet contribution](#) - Apr 17 2023

web jan 2 2017 ion formation description through a guided inquiry process students will be able to compare and contrast between positive ion negative ion and neutral atom and detect the changes that occur to the element concerning the proton number and electron number an introduction to ionic bonding

[ion definition chemistry examples facts britannica](#) - Jan 14 2023

web nov 10 2023 ions are formed by the addition of electrons to or the removal of electrons from neutral atoms or molecules or other ions by combination of ions with other particles or by rupture of a covalent bond between two atoms in such a way that both of the electrons of the bond are left in association with one of the formerly bonded atoms

[solubility and complex ion formation video khan academy](#) - Dec 13 2022

web so the formation of a complex ion is a lewis acid base reaction and notice the equilibrium constant for this 1.6×10^6 to the seventh K_f is called the formation constant this is a very high value for the equilibrium constant so the equilibrium lies to the right and this a stable complex ion

[ions formation types charge video lesson transcript](#) - Mar 16 2023

web jan 20 2022 learn about ion formation understand how do cations form when ions are formed how does an atom becomes anion and do cations gain or lose electrons updated 01 20 2022

[formation of ions home learning worksheet gcse](#) - Jun 07 2022

web aug 25 2022 a revision homework or class worksheet with answers that covers formation of ions in c2 gcse chemistry including a variety of questions filling in gaps and drawing electronic structures get 20 off this resource with the discount code extra20 formation of ions home learning worksheet gcse tes bundles

ion formations 333 plays quizizz - Apr 05 2022

web 1 pt what is a cation a negatively charged ion an atom with no charge a positively charged ion a stable atom on the periodic table multiple choice 30 seconds 1 pt what is an anion a negatively charged particle an atom with no charge a positively charged ion a stable atom found on the periodic table explore all questions with a free account

[formation of ionic compounds practice khan academy](#) - Nov 12 2022

web course class 10 chemistry india unit 3 lesson 4 metals reacting with nonmetals ionic bonds reaction of metals non metals identify ions present in ionic compounds formation of ionic compounds science class 10 chemistry india metals and non metals metals reacting with nonmetals

ions worksheet whs rocklinusd org - May 06 2022

web ions worksheet element valence electrons electrons to gain electrons to lose ion formed name li 1 none 1 li 1 cation n 5 3 none n 3 anion o ca br s cl k mg be questions 1 if li loses an electron to another atom why does it

introduction to ions video khan academy - Feb 15 2023

web so basing on my understanding of this so far an atom is an element that has the same number of protons and neutrons an ion is an element that has different numbers of protons and electrons an ion is positive when it has more protons than electrons and negative when it has more electrons than ions while isotopes are the same element with

formation of ions 86 plays quizizz - Mar 04 2022

web formation of ions quiz for 8th grade students find other quizzes for chemistry and more on quizizz for free

section 7 1 ionic compounds and metals ion formation - Sep 10 2022

web study with quizlet and memorize flashcards containing terms like the force that holds two atoms together is called a chemical bond attraction can be formed by a positively charged of one atom for the negatively charged chemical bonds can also be formed by the attraction of charged atoms called and more

3 2 ions chemistry libretexts - Aug 21 2023

web figure pageindex 2 the formation of a chlorine ion on the left the chlorine atom has 17 electrons on the right the chloride ion has 18 electrons and has a 1 charge with two oppositely charged ions there is an electrostatic attraction between them because opposite charges attract

how to write the formation of ions byju s - Aug 09 2022

web solution ions are formed by either donating an electron or accepting an electron a positive ion is formed by donating electron eg n a n a e a negative ion is formed by accepting an electron eg cl e cl suggest corrections

paper 1 passage core october november 2013 pdf uniport edu - Dec 07 2022

web apr 9 2023 paper 1 passage core october november 2013 1 7 downloaded from uniport edu ng on april 9 2023 by guest paper 1 passage core october november

0522 first language english past papers gce guide - Nov 25 2021

web mark scheme for the october november 2012 series 0522 first language english 0522 01 paper 1 reading passage core maximum raw mark 50 this

kcse 2013 english paper 1 questions and answers - Feb 26 2022

web mar 23 2014 this page consists of free kcse 2013 english paper 1 questions and answers marking scheme in order to maintain the originality of the paper the copy is

paper 1 passage core october 2013 book - Nov 06 2022

web 1 paper 1 passage core october 2013 foundry oct 26 2019 scientific canadian mechanics magazine and patent office record aug 29 2022 gulfstream feb 03

paper 1 passage core october 2013 download only - Jan 08 2023

web i ½ ½ book paper 1 passage core october november 2013 cambridge international examinations cambridge igcse paper 1 core 0522 file type delapac com

cambridge international examinations cambridge international - Jul 02 2022

web paper 1 reading passage core october november 2014 reading booklet insert 1 hour 45 minutes read these instructions first this reading booklet insert

first language english 0500 12 xtremepapers - Jun 01 2022

web paper 1 reading passage core october november 2011 reading booklet insert 1 hour 45 minutes read the following passage carefully and then answer all the

first language turkish gce guide - Jan 28 2022

web first language turkish reading paper consists of two questions and two texts which share a common theme the aim of this paper is to test whether candidates are capable of

university of cambridge international - Aug 15 2023

web paper 1 reading passage core october november 2013 1 hour 45 minutes candidates answer on the question paper read these instructions first write your

kpss türkçe 1000 adetparagraf sorusu pdf indir - Apr 30 2022

web dec 27 2015 8 yıl önce kpss türkçe 1000 adet türkçe paragraf sorusu deneme sınavı pdf olarak kpss türkçe soru bankası indir kpss benim güzel hocam türkçe denemeleri

cie 0513 01 first language turkish paper 1 reading igcse - Mar 30 2022

web paper 1 reading may june 2020 insert 2 hours information this insert contains the reading passages you may annotate this insert and use the blank spaces for planning

paper 1 passage core october november 2013 pdf pdf - Mar 10 2023

web introduction paper 1 passage core october november 2013 pdf pdf songs of ourselves cambridge international examinations 2005 06 24 songs of ourselves the

0522 first language english papers gceguide xyz - May 12 2023

web mark scheme for the october november 2013 series 0522 first language english paper 1 reading passage core maximum raw mark 50 0522 01 this

first language english 0500 13 igcse examguru - Apr 11 2023

web university of cambridge international examinations international general certificate of secondary education candidate name xtremepapers com

0524 first language english papacambridge - Jul 14 2023

web mark scheme for the october november 2013 series 0524 first language english 0524 11 paper 1 reading passage core maximum raw mark 50 this

cambridge igcse english language 0500 13 mark scheme - Feb 09 2023

web first language english 0500 13paper 1 reading passages core mark scheme october november 2015igcse cambridge international examination view full screen

paper 1 passage core october november 2013 pdf pdf - Oct 25 2021

web paper 1 passage core october november 2013 pdf whispering the secrets of language an emotional journey through paper 1 passage core october november

igcse first language turkish 0513 01 paper 1 may june 2021 - Dec 27 2021

web paper 1 reading may june 2021 insert 2 hours information this insert contains the reading passages you may annotate this insert and use the blank spaces for planning

mark scheme for the october november 2011 question paper - Aug 03 2022

web paper 1 reading passage core maximum raw mark 50 0500 13 this mark scheme is published as an aid to teachers and candidates to indicate the requirements of the

0500 first language english igcse examguru - Oct 05 2022

web paper 1 reading passage core maximum raw mark 50 0500 13 this mark scheme is published as an aid to teachers and candidates to indicate the requirements of the

cambridge assessment international education cambridge - Sep 04 2022

web 0500 13 october november 2018 mark scheme maximum mark 50 published this mark scheme is published as an aid to teachers and candidates to indicate the

first language english 0500 13 october november 2013 - Jun 13 2023

web paper 1 reading passage core october november 2013 reading booklet insert 1 hour 45 minutes read these instructions first this reading booklet insert

free resources african methodist episcopal church ameced com - Mar 01 2023

web the ame church publishing house sunday school union has produced some free resources to enhance worship and faith formation visit amec publishing offering a wide variety of resources the african american lectionary is a wonderful depository of assets and information

st james ame church sunday school lesson - Feb 17 2022

web it will unquestionably ease you to see guide st james ame church sunday school lesson as you such as by searching the title publisher or authors of guide you in fact want you can discover them rapidly in the house workplace or perhaps in your method can be all best area within net connections if you aspire to download and install the st

i am ame amec publishing house - Jan 31 2023

web ame church school worship resources insight christianity in context worship discover resources including litanies hymn selections and sermon outlines to enrich and enliven your worship experience read more connect sunday school union

worship resources i am ame - Aug 26 2022

web worship resources 2023 liturgical color calendar below are a list of our worship resources as the years progress we ll be uploading new visuals for you to use within your churches

home amec sunday school union - Sep 26 2022

web the amec sunday school union was founded in 1882 by charles s smith to provide african methodists with sunday school curriculum we are continuing this mission by developing and promoting powerful and life transforming curriculum and worship materials for christians of all ages

amec sunday school union virtual church ame church - Nov 28 2022

web join the amec sunday school union on zoom for virtual church school classes in the coming weeks enjoy inspiring lessons by anointed teachers we have expanded our capacity just for you register for next week may 3rd by clicking here

flat rock ame church sunday school lessons - May 23 2022

web sunday school lessons apostles creed july 16 lesson 7 the sower and the seed july 23 lesson 8 weeds among the wheat july 30 lesson 9 coming soon aug 06 lesson 10 coming soon aug 13 lesson 11 coming soon sept 10 lesson 15 coming soon aug 20 lesson 12 coming soon

july 23 2023 ame sunday school lesson weeds among the - Jun 04 2023

web july 23 2023 ame sunday school lesson weeds among the wheat ame sundayschool sundayschoolbiblelesson get next week s ame lesson here download pastor sermon notes sermondownload

sunday school dupage ame church - Apr 21 2022

web dupage ame church join us every sunday at 9 30 am for our sunday school classes where we learn and grow in the knowledge and love of god we have classes for all ages from children to adults and we welcome new members and visitors sunday school is a great way to connect with others deepen your faith and prepare for worship

summer quarter 2023 i am ame - Oct 28 2022

web lesson goals by the end of this lesson students will be able to 1 create deeper understandings of how god s covenant of

peace applies to us 2 explore the values of unity versus personal preferences 3 relate israel s disunity to our churches and identify ways to create peace and harmony teaching strategies 1 discuss the concept of
ame sunday school lesson october 1 2023 youtube - Jul 05 2023

web oct 1 2023 october 29 2023 sunday school lesson free to live in maturity ame sundayschool sundayschoolbiblelesson
get next week s ame lesson here youtu be c3cdnl3bfzkdownload pastor sermon
churchschool african methodist episcopal church ameced com - May 03 2023

web free lesson downloads courtesy of the amec publishing house sunday school union
ame church school the amec publishing house sunday - Dec 30 2022

web oct 3 2021 the amec publishing house sunday school union is hosting church school classes each week led by anointed and trained teachers these classes offer students the opportunity to enter the lesson with open eyes and hearts to encounter the wonders of god storytelling is the hallmark of our curriculum and therefore offers us

ame sunday school lesson march 19 2023 youtube - Jun 23 2022

web mar 19 2023 ame sunday school lesson march 19 2023 jesus and samaritan woman bible biblestudy biblestudylessons
get next week s ame lesson here jesus christ is a demon slayer of evi download
ame church school facebook - Jul 25 2022

web apr 27 2020 the purpose of this group is to engage the weekly church school lessons and to share resources and best practices liberating faith studies is a curriculum designed to bring about liberation by telling our stories engaging the stories of others and understanding how our stories are the story of god s love

liberating faith studies i am ame - Apr 02 2023

web nashville postmaster send address changes to liberating faith studies sunday school quarterly 1722 scovel st nashville tn 37208

sunday school lessons page 2 new bethel a m e church - Mar 21 2022

web sunday school lesson august 27 lesson 13 kjv god s kingdom will be all in all devotional reading isaiah 6 1 8 background scripture 1 corinthians 15 1 28 ephesians 1 15 23 1 corinthians 15 20 28 20 but now is christ risen from the dead and become the firstfruits of them that slept 21 for since by man came death by man

sunday school lesson samples amec sunday school union - Aug 06 2023

web sunday school lesson samples liberating faith studies fall quarterly senior sample fall intermediate sample fall junior sample fall primary sample fall beginners stories sample fall teacher s guide sample fall silent moment sample fall our location amec sunday

ame church school i am ame - Sep 07 2023

web we are excited to introduce to you the new structure of the adult quarterly lessons liberating faith studies the bible is our sacred text and therein lies the grand story of which we are a part it is our hope that with this new lesson structure rooted in stories we will enter with open eyes and hearts to encounter the wonders of god

sunday school lessons new bethel a m e church - Oct 08 2023

web sunday school lesson september 17 lesson 3 kjv jesus glorifies god devotional reading psalm 119 113 128 background scripture john 7 14 24 john 7 14 24 14 now about the midst of the feast jesus went up into the temple and taught 15 and the jews marvelled saying how knoweth this man letters having never learned 16 jesus