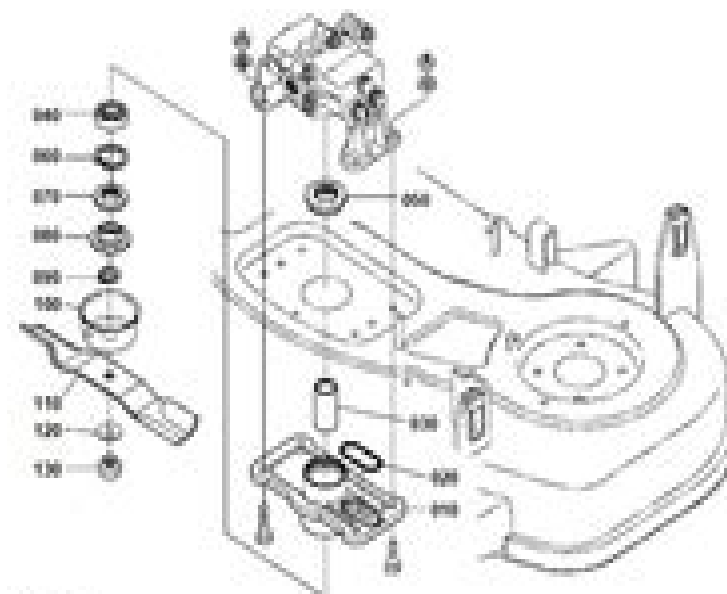


← Standard parts, → Standard parts, ← use for all, → all for use

Part No.	Part No.	Description	Qty	Unit	AC	Standard	Weight (kg)	Weight (lb)
800	80001-0000	SHAFT INPUT	1				0.131	1.166
800	80013-0000	CR CLIP EXTERNAL	1				0.000	0.0000
800	80017-0000	RT GEAR BEVEL	1				0	0
800	80101-0000	BEARING BALL	2				0.100	0.2204
800	10021-1070	SWH-CARSHAFT	1			0.000	0.001	0.0002
800	10021-1000	SWH-CARSHAFT	1			0.000	0.001	0.0002
800	10021-1070	SWH-CARSHAFT	1			0.000	0.001	0.0002
800	10021-1000	SWH-CARSHAFT	1			0.000	0.001	0.0002
870	80400-0007	SEAL OIL	1				0.01	0.022
800	10001-1000	PLUG	1				0.010	0.022
800	80017-0000	SHAFT BEVEL GEAR	1				0	0
800	80013-0000	CR CLIP EXTERNAL	1				0.001	0.0002
800	80101-0000	BEARING BALL	1				0.100	0.2212
800	80021-1000	SWH OFF GEAR SHAFT	1			0.000	0.001	0.0002
800	87211-1000	SWH OFF GEAR SHAFT	1			0.000	0.001	0.0002
800	80400-0007	SEAL OIL	1				0.01	0.022
800	80001-0000	PALLET CENTER	1				0	0
800	80713-0000	RT FEATHER	1				0.01	0.022
800	80013-0000	CR CLIP EXTERNAL	1				0.000	0.0000

Reference (1/10)

Page 1



800-00-1

Reference (1/10)

Page 1

# Kubota 23zg Manual

**G Psacharopoulos**



**Kubota 23zg Manual:**

## Whispering the Secrets of Language: An Mental Quest through **Kubota 23zg Manual**

In a digitally-driven earth wherever screens reign supreme and quick communication drowns out the subtleties of language, the profound secrets and mental subtleties hidden within phrases frequently get unheard. Yet, nestled within the pages of **Kubota 23zg Manual** a fascinating literary treasure pulsating with fresh emotions, lies an exceptional journey waiting to be undertaken. Published by a talented wordsmith, this wonderful opus encourages visitors on an introspective trip, gently unraveling the veiled truths and profound affect resonating within the cloth of each and every word. Within the emotional depths with this emotional review, we will embark upon a honest exploration of the book is core styles, dissect their interesting publishing type, and succumb to the effective resonance it evokes heavy within the recesses of readers hearts.

<https://www.splashdogs.com/data/uploaded-files/fetch.php/hako%20jonas%20900%20manual.pdf>

### **Table of Contents Kubota 23zg Manual**

1. Understanding the eBook Kubota 23zg Manual
  - The Rise of Digital Reading Kubota 23zg Manual
  - Advantages of eBooks Over Traditional Books
2. Identifying Kubota 23zg Manual
  - Exploring Different Genres
  - Considering Fiction vs. Non-Fiction
  - Determining Your Reading Goals
3. Choosing the Right eBook Platform
  - Popular eBook Platforms
  - Features to Look for in an Kubota 23zg Manual
  - User-Friendly Interface
4. Exploring eBook Recommendations from Kubota 23zg Manual
  - Personalized Recommendations
  - Kubota 23zg Manual User Reviews and Ratings

- Kubota 23zg Manual and Bestseller Lists
- 5. Accessing Kubota 23zg Manual Free and Paid eBooks
  - Kubota 23zg Manual Public Domain eBooks
  - Kubota 23zg Manual eBook Subscription Services
  - Kubota 23zg Manual Budget-Friendly Options
- 6. Navigating Kubota 23zg Manual eBook Formats
  - ePub, PDF, MOBI, and More
  - Kubota 23zg Manual Compatibility with Devices
  - Kubota 23zg Manual Enhanced eBook Features
- 7. Enhancing Your Reading Experience
  - Adjustable Fonts and Text Sizes of Kubota 23zg Manual
  - Highlighting and Note-Taking Kubota 23zg Manual
  - Interactive Elements Kubota 23zg Manual
- 8. Staying Engaged with Kubota 23zg Manual
  - Joining Online Reading Communities
  - Participating in Virtual Book Clubs
  - Following Authors and Publishers Kubota 23zg Manual
- 9. Balancing eBooks and Physical Books Kubota 23zg Manual
  - Benefits of a Digital Library
  - Creating a Diverse Reading Collection Kubota 23zg Manual
- 10. Overcoming Reading Challenges
  - Dealing with Digital Eye Strain
  - Minimizing Distractions
  - Managing Screen Time
- 11. Cultivating a Reading Routine Kubota 23zg Manual
  - Setting Reading Goals Kubota 23zg Manual
  - Carving Out Dedicated Reading Time
- 12. Sourcing Reliable Information of Kubota 23zg Manual
  - Fact-Checking eBook Content of Kubota 23zg Manual
  - Distinguishing Credible Sources

13. Promoting Lifelong Learning
  - Utilizing eBooks for Skill Development
  - Exploring Educational eBooks
14. Embracing eBook Trends
  - Integration of Multimedia Elements
  - Interactive and Gamified eBooks

### **Kubota 23zg Manual Introduction**

In today's digital age, the availability of Kubota 23zg Manual books and manuals for download has revolutionized the way we access information. Gone are the days of physically flipping through pages and carrying heavy textbooks or manuals. With just a few clicks, we can now access a wealth of knowledge from the comfort of our own homes or on the go. This article will explore the advantages of Kubota 23zg Manual books and manuals for download, along with some popular platforms that offer these resources. One of the significant advantages of Kubota 23zg Manual books and manuals for download is the cost-saving aspect. Traditional books and manuals can be costly, especially if you need to purchase several of them for educational or professional purposes. By accessing Kubota 23zg Manual versions, you eliminate the need to spend money on physical copies. This not only saves you money but also reduces the environmental impact associated with book production and transportation. Furthermore, Kubota 23zg Manual books and manuals for download are incredibly convenient. With just a computer or smartphone and an internet connection, you can access a vast library of resources on any subject imaginable. Whether you're a student looking for textbooks, a professional seeking industry-specific manuals, or someone interested in self-improvement, these digital resources provide an efficient and accessible means of acquiring knowledge. Moreover, PDF books and manuals offer a range of benefits compared to other digital formats. PDF files are designed to retain their formatting regardless of the device used to open them. This ensures that the content appears exactly as intended by the author, with no loss of formatting or missing graphics. Additionally, PDF files can be easily annotated, bookmarked, and searched for specific terms, making them highly practical for studying or referencing. When it comes to accessing Kubota 23zg Manual books and manuals, several platforms offer an extensive collection of resources. One such platform is Project Gutenberg, a nonprofit organization that provides over 60,000 free eBooks. These books are primarily in the public domain, meaning they can be freely distributed and downloaded. Project Gutenberg offers a wide range of classic literature, making it an excellent resource for literature enthusiasts. Another popular platform for Kubota 23zg Manual books and manuals is Open Library. Open Library is an initiative of the Internet Archive, a non-profit organization dedicated to digitizing cultural artifacts and making them accessible to the public. Open Library hosts millions of books, including both public domain works

and contemporary titles. It also allows users to borrow digital copies of certain books for a limited period, similar to a library lending system. Additionally, many universities and educational institutions have their own digital libraries that provide free access to PDF books and manuals. These libraries often offer academic texts, research papers, and technical manuals, making them invaluable resources for students and researchers. Some notable examples include MIT OpenCourseWare, which offers free access to course materials from the Massachusetts Institute of Technology, and the Digital Public Library of America, which provides a vast collection of digitized books and historical documents. In conclusion, Kubota 23zg Manual books and manuals for download have transformed the way we access information. They provide a cost-effective and convenient means of acquiring knowledge, offering the ability to access a vast library of resources at our fingertips. With platforms like Project Gutenberg, Open Library, and various digital libraries offered by educational institutions, we have access to an ever-expanding collection of books and manuals. Whether for educational, professional, or personal purposes, these digital resources serve as valuable tools for continuous learning and self-improvement. So why not take advantage of the vast world of Kubota 23zg Manual books and manuals for download and embark on your journey of knowledge?

### **FAQs About Kubota 23zg Manual Books**

How do I know which eBook platform is the best for me? Finding the best eBook platform depends on your reading preferences and device compatibility. Research different platforms, read user reviews, and explore their features before making a choice. Are free eBooks of good quality? Yes, many reputable platforms offer high-quality free eBooks, including classics and public domain works. However, make sure to verify the source to ensure the eBook credibility. Can I read eBooks without an eReader? Absolutely! Most eBook platforms offer web-based readers or mobile apps that allow you to read eBooks on your computer, tablet, or smartphone. How do I avoid digital eye strain while reading eBooks? To prevent digital eye strain, take regular breaks, adjust the font size and background color, and ensure proper lighting while reading eBooks. What the advantage of interactive eBooks? Interactive eBooks incorporate multimedia elements, quizzes, and activities, enhancing the reader engagement and providing a more immersive learning experience. Kubota 23zg Manual is one of the best book in our library for free trial. We provide copy of Kubota 23zg Manual in digital format, so the resources that you find are reliable. There are also many Ebooks of related with Kubota 23zg Manual. Where to download Kubota 23zg Manual online for free? Are you looking for Kubota 23zg Manual PDF? This is definitely going to save you time and cash in something you should think about.

**Find Kubota 23zg Manual :**

[hako jonas 900 manual](#)

**haine froide a quoi pense la droite ameacutericaine**

**h q mitchell traveller level b1 answer key**

**haier dehumidifier hdn305 manual**

[haier hlf11e dryer service manual](#)

**haier ab362feaia air conditioners owners manual**

~~haier as122ahaia air conditioners owners manual~~

[gwen ross storybook homes plans](#)

*h1b i 129 manual guide*

~~gyrocompass tokimec installation manual~~

**haier ac182acbba user manual**

~~haas manual table probe~~

**haier prts21sacw manual**

[haier chlf103q washers owners manual](#)

**haier hse08wna refrigerators owners manual**

**Kubota 23zg Manual :**

Chevrolet Impala Trunk Lock Cylinder Low prices on Trunk Lock Cylinder for your Chevrolet Impala at Advance Auto Parts. Find aftermarket and OEM parts online or at a local store near you. Chevrolet Impala Lock - Trunk (Cylinder & Keys) Order Chevrolet Impala Lock - Trunk (Cylinder & Keys) online today. Free Same Day Store Pickup. Check out free battery charging and engine ... 2003 Chevrolet Impala Trunk Lock Cylinder Get the wholesale-priced Genuine OEM GM Trunk Lock Cylinder for 2003 Chevrolet Impala at GMPartsGiant Up to 50% off MSRP. Trunk for 2003 Chevrolet Impala | Auto Parts Express ... Locks. Trunk for 2003 Chevrolet Impala #0. 1. Trunk Lid. 10. Shaft 4 door. 11. Ajar Switch All models. Lock release. Firebird & formula. Lid ajar. Trans am. Exterior Locks & Lock Hardware for 2003 ... - eBay Get the best deals on Exterior Locks & Lock Hardware for 2003 Chevrolet Impala when you shop the largest online selection at eBay.com. How to remove a trunk lock actuator mechanism 2003 to 2013 ... Trunk for 2003 Chevrolet Impala 8. 25832354 - Body: Lock Cylinder for Chevrolet: Classic, Impala, Malibu, Monte. Ignition Lock Cylinder · 25832354. Lock Cylinder. All models. Impala, Monte ... Locks & Hardware for Chevrolet Impala - eBay 1961 1962 Impala Lock Cylinder Set Ignition Door Trunk Glove 2DRHT Convertible ...



2003 · 2004 · 2005 · 2006 · 2007 · 2008 · 2009 · 2010 · 2011 · 2012 · 2013 ... Replace trunk lock cylinder Jan 30, 2013 — Nope but the remote works. So they lock and unlock from there. All I have is the ignition. I was able to get the trunk open but have to go ... A Gentle Path through the Twelve Steps It explores abuse histories for those like me who have suffered all forms of abuse & trauma as a child. FREE Yourself, finally, from the demons of your past ... A Gentle Path through the Twelve Steps Updated and ... A revised and expanded edition of the recovery classic by Patrick Carnes, Ph.D., a leading expert on addictive behaviors. "The Twelve Steps tap into the ... A Gentle Path through the Twelve Steps It asks penetrating questions of the addict who reads it. Like a workbook, one writes down one's own personal answers to the questions. Nobody but oneself needs ... A Gentle Path through the 12 Steps A Gentle Path through the Twelve Steps is a classic guide for all people in the process of recovery. Each step is clearly explained and examined with ... A Gentle Path Through the Twelve Steps This revised edition of "A Gentle Path through the Twelve Steps "is a treasure chest, a rich and powerful resource for anyone working a twelve-step program. A Gentle Path through the Twelve Steps Apr 13, 2012 — A revised and expanded edition of the recovery classic by Patrick Carnes, PhD, a leading expert on addictive behaviors. A Gentle Path Through the Twelve Steps:... book by Patrick ... A thorough journey through the twelve steps. Patrick Carnes is a pioneer in Sexual Addiction Recovery and has written a twelve step workbook in a simplified ... A Gentle Path Through the Twelve Steps Dec 5, 2023 — the Classic Guide for All People in the Process of Recovery. Carnes ... The twelve steps tap into the essential human process of change and ... A Gentle Path Through the Twelve Steps Apr 13, 2012 — A Gentle Path Through the Twelve Steps: The Classic Guide for All People in the Process of Recovery. The twelve steps tap into the essential ... A Gentle Path through the Twelve Steps A revised and expanded edition of the recovery classic by Patrick Carnes, Ph.D., a leading expert on addictive behaviors. A.F. Mills Solution Manual for Heat Transfer 3rd Edition Recommend Stories · Solution Manual Convective Heat Transfer · Basic Heat Transfer Mills Solutions Manual · Solution Manual for khalil 3rd edition · edoc. A.F. Mills Solution Manual For Heat Transfer 3rd Edition A.F. Mills Solution Manual for Heat Transfer 3rd Edition - Free ebook download as PDF File (.pdf) or read book online for free. A.F. Mills Solution Manual ... #Mills-Basic H &mass-Transfer, 2ed Solutions-Manual PDF ... mills-basic H &Mass-transfer,2ed solutions-manual.pdf - Free ebook download as PDF File (.pdf) or read book online for free. Fundamentals of Heat and Mass Transfer - Solutions Manual KNOWN: Inner surface temperature and thermal conductivity of a concrete wall. FIND: Heat loss by conduction through the wall as a function of ambient air ... HEAT TRANSFER CIP data available. © 2016 by A.F. Mills and C.F.M. Coimbra. All Rights Reserved ... contained in this book and in the solutions manual. The authors and ... ANTHONY F MILLS | Get Textbooks Solutions manual Heat transfer, second edition by Anthony F. Mills 1,160 Pages, Published 1998. ISBN-13: 978-0-13-010906-4, ISBN: 0-13-010906-1. Sm Basic Heat ... Pingpdf.com Heat-transfer-mills-solutions-manual ... Feb 20, 2020 — The Instructor Solutions manual is available in PDF format for the following Basic Heat and Mass Transfer ( Instructor's Solutions Manual ) ... A F Mills Solutions Heat

---

Transfer 2nd Edition 0 Problems solved, A F ... Solutions Manual · Study 101 · Textbook Rental · Used Textbooks · Digital Access Codes ... Solutions Manual Heat Transfer by Holman 10th Edition The conundrum is that there even appears to be a negative, rather than positive, link between investment in technology and market performance. Download Free PDF Solutions manual Download site for A Heat Transfer Textbook. ... Solutions manual. Solutions to more than 490 problems are on the following ...