

NOTE:

Please read all instructions carefully before using this product

Table of Contents

Safety Notice

Hardware Pack

Assembly Instruction

Parts List

Warranty

Ordering Parts

**Model
NS-653**

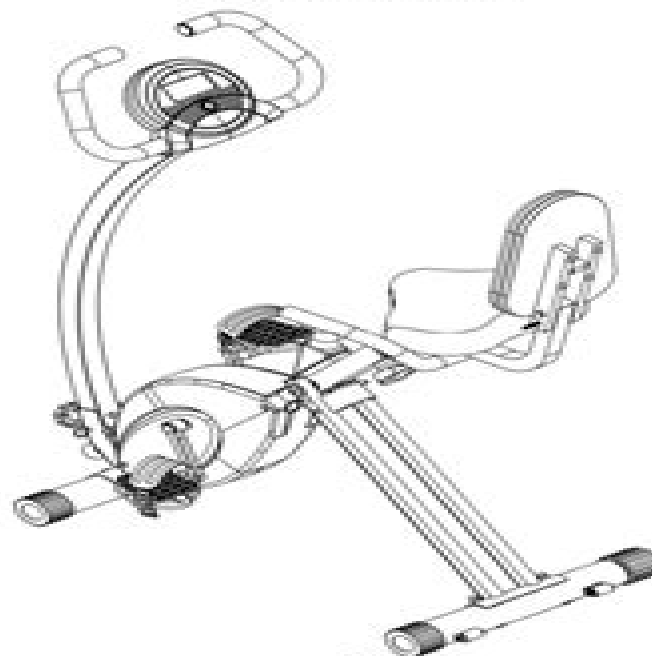
Retain This
Manual for
Reference

190509

**OWNER'S
MANUAL**

IMPEX

MARCY® FOLDABLE RECUMBENT BIKE NS-653



IMPEX® INC.

2801 S. Towne Ave, Pomona, CA 91766

Tel: (800) 999-8899

www.marcypro.com

support@impex-fitness.com

Marcy Bike Manual

Anthony S. Fauci



Marcy Bike Manual:

Instructor's Manual for Physical Education ,1966 New Hampshire Register and Legislative Manual ,1982
The Legislative Manual of the State of Minnesota ,1935 The Minnesota Legislative Manual , Legislative Manual of the State of Minnesota Minnesota. Secretary of State,1927 **New Hampshire Register, State Year-book and Legislative Manual** ,1971 **The Publishers' Trade List Annual** ,1977 *Standard Directory of Advertisers* ,1990
Vault Guide to Resumes, Cover Letters & Interviews Howard Leifman, Marcy Lerner, Vault (Firm), 2003 From writing top notch resumes and sending tailored cover letters to going on winning interviews this best selling Vault guide is a comprehensive one volume job search source **Subject Guide to Children's Books in Print 1997** Bowker Editorial Staff, R R Bowker Publishing, 1996-09 Field and Stream ,1983 *Catalog of Copyright Entries. Third Series* Library of Congress. Copyright Office, 1977 *Index of Patents Issued from the United States Patent and Trademark Office* ,1976
Subject Guide to Books in Print ,2001 *Year Book and Directory - Colorado School of Mines* Colorado School of Mines, 1949 *Index of Patents Issued from the United States Patent Office* ,1975 **AB Bookman's Weekly** ,1993
Official Master Register of Bicentennial Activities American Revolution Bicentennial Administration, 1974
Medical Device Register ,1990 Contains a list of all manufacturers and other specified processors of medical devices registered with the Food and Drug Administration and permitted to do business in the U S with addresses and telephone numbers Organized by FDA medical device name in alphabetical order Keyword index to FDA established standard names of medical devices **CMJ New Music Report** ,1999-12-13 CMJ New Music Report is the primary source for exclusive charts of non commercial and college radio airplay and independent and trend forward retail sales CMJ s trade publication compiles playlists for college and non commercial stations often a prelude to larger success

Getting the books **Marcy Bike Manual** now is not type of inspiring means. You could not lonely going subsequent to ebook accretion or library or borrowing from your connections to approach them. This is an extremely simple means to specifically acquire guide by on-line. This online revelation Marcy Bike Manual can be one of the options to accompany you in the same way as having additional time.

It will not waste your time. tolerate me, the e-book will entirely space you additional issue to read. Just invest little period to get into this on-line broadcast **Marcy Bike Manual** as well as evaluation them wherever you are now.

https://www.splashdogs.com/book/Resources/index.jsp/Fortuner_Repair_Manual.pdf

Table of Contents Marcy Bike Manual

1. Understanding the eBook Marcy Bike Manual
 - The Rise of Digital Reading Marcy Bike Manual
 - Advantages of eBooks Over Traditional Books
2. Identifying Marcy Bike Manual
 - Exploring Different Genres
 - Considering Fiction vs. Non-Fiction
 - Determining Your Reading Goals
3. Choosing the Right eBook Platform
 - Popular eBook Platforms
 - Features to Look for in an Marcy Bike Manual
 - User-Friendly Interface
4. Exploring eBook Recommendations from Marcy Bike Manual
 - Personalized Recommendations
 - Marcy Bike Manual User Reviews and Ratings
 - Marcy Bike Manual and Bestseller Lists
5. Accessing Marcy Bike Manual Free and Paid eBooks

- Marcy Bike Manual Public Domain eBooks
 - Marcy Bike Manual eBook Subscription Services
 - Marcy Bike Manual Budget-Friendly Options
6. Navigating Marcy Bike Manual eBook Formats
 - ePub, PDF, MOBI, and More
 - Marcy Bike Manual Compatibility with Devices
 - Marcy Bike Manual Enhanced eBook Features
 7. Enhancing Your Reading Experience
 - Adjustable Fonts and Text Sizes of Marcy Bike Manual
 - Highlighting and Note-Taking Marcy Bike Manual
 - Interactive Elements Marcy Bike Manual
 8. Staying Engaged with Marcy Bike Manual
 - Joining Online Reading Communities
 - Participating in Virtual Book Clubs
 - Following Authors and Publishers Marcy Bike Manual
 9. Balancing eBooks and Physical Books Marcy Bike Manual
 - Benefits of a Digital Library
 - Creating a Diverse Reading Collection Marcy Bike Manual
 10. Overcoming Reading Challenges
 - Dealing with Digital Eye Strain
 - Minimizing Distractions
 - Managing Screen Time
 11. Cultivating a Reading Routine Marcy Bike Manual
 - Setting Reading Goals Marcy Bike Manual
 - Carving Out Dedicated Reading Time
 12. Sourcing Reliable Information of Marcy Bike Manual
 - Fact-Checking eBook Content of Marcy Bike Manual
 - Distinguishing Credible Sources
 13. Promoting Lifelong Learning
 - Utilizing eBooks for Skill Development

- Exploring Educational eBooks
14. Embracing eBook Trends
- Integration of Multimedia Elements
 - Interactive and Gamified eBooks

Marcy Bike Manual Introduction

In the digital age, access to information has become easier than ever before. The ability to download Marcy Bike Manual has revolutionized the way we consume written content. Whether you are a student looking for course material, an avid reader searching for your next favorite book, or a professional seeking research papers, the option to download Marcy Bike Manual has opened up a world of possibilities. Downloading Marcy Bike Manual provides numerous advantages over physical copies of books and documents. Firstly, it is incredibly convenient. Gone are the days of carrying around heavy textbooks or bulky folders filled with papers. With the click of a button, you can gain immediate access to valuable resources on any device. This convenience allows for efficient studying, researching, and reading on the go. Moreover, the cost-effective nature of downloading Marcy Bike Manual has democratized knowledge. Traditional books and academic journals can be expensive, making it difficult for individuals with limited financial resources to access information. By offering free PDF downloads, publishers and authors are enabling a wider audience to benefit from their work. This inclusivity promotes equal opportunities for learning and personal growth. There are numerous websites and platforms where individuals can download Marcy Bike Manual. These websites range from academic databases offering research papers and journals to online libraries with an expansive collection of books from various genres. Many authors and publishers also upload their work to specific websites, granting readers access to their content without any charge. These platforms not only provide access to existing literature but also serve as an excellent platform for undiscovered authors to share their work with the world. However, it is essential to be cautious while downloading Marcy Bike Manual. Some websites may offer pirated or illegally obtained copies of copyrighted material. Engaging in such activities not only violates copyright laws but also undermines the efforts of authors, publishers, and researchers. To ensure ethical downloading, it is advisable to utilize reputable websites that prioritize the legal distribution of content. When downloading Marcy Bike Manual, users should also consider the potential security risks associated with online platforms. Malicious actors may exploit vulnerabilities in unprotected websites to distribute malware or steal personal information. To protect themselves, individuals should ensure their devices have reliable antivirus software installed and validate the legitimacy of the websites they are downloading from. In conclusion, the ability to download Marcy Bike Manual has transformed the way we access information. With the convenience, cost-effectiveness, and accessibility it offers, free PDF downloads have become a popular choice for students, researchers, and book lovers.

worldwide. However, it is crucial to engage in ethical downloading practices and prioritize personal security when utilizing online platforms. By doing so, individuals can make the most of the vast array of free PDF resources available and embark on a journey of continuous learning and intellectual growth.

FAQs About Marcy Bike Manual Books

1. Where can I buy Marcy Bike Manual books? Bookstores: Physical bookstores like Barnes & Noble, Waterstones, and independent local stores. Online Retailers: Amazon, Book Depository, and various online bookstores offer a wide range of books in physical and digital formats.
2. What are the different book formats available? Hardcover: Sturdy and durable, usually more expensive. Paperback: Cheaper, lighter, and more portable than hardcovers. E-books: Digital books available for e-readers like Kindle or software like Apple Books, Kindle, and Google Play Books.
3. How do I choose a Marcy Bike Manual book to read? Genres: Consider the genre you enjoy (fiction, non-fiction, mystery, sci-fi, etc.). Recommendations: Ask friends, join book clubs, or explore online reviews and recommendations. Author: If you like a particular author, you might enjoy more of their work.
4. How do I take care of Marcy Bike Manual books? Storage: Keep them away from direct sunlight and in a dry environment. Handling: Avoid folding pages, use bookmarks, and handle them with clean hands. Cleaning: Gently dust the covers and pages occasionally.
5. Can I borrow books without buying them? Public Libraries: Local libraries offer a wide range of books for borrowing. Book Swaps: Community book exchanges or online platforms where people exchange books.
6. How can I track my reading progress or manage my book collection? Book Tracking Apps: Goodreads, LibraryThing, and Book Catalogue are popular apps for tracking your reading progress and managing book collections. Spreadsheets: You can create your own spreadsheet to track books read, ratings, and other details.
7. What are Marcy Bike Manual audiobooks, and where can I find them? Audiobooks: Audio recordings of books, perfect for listening while commuting or multitasking. Platforms: Audible, LibriVox, and Google Play Books offer a wide selection of audiobooks.
8. How do I support authors or the book industry? Buy Books: Purchase books from authors or independent bookstores. Reviews: Leave reviews on platforms like Goodreads or Amazon. Promotion: Share your favorite books on social media or recommend them to friends.

9. Are there book clubs or reading communities I can join? Local Clubs: Check for local book clubs in libraries or community centers. Online Communities: Platforms like Goodreads have virtual book clubs and discussion groups.
10. Can I read Marcy Bike Manual books for free? Public Domain Books: Many classic books are available for free as they're in the public domain. Free E-books: Some websites offer free e-books legally, like Project Gutenberg or Open Library.

Find Marcy Bike Manual :

~~fortuner repair manual~~

~~foundations of aerodynamics kuethe solutions manual~~

foundations in personal finance chapter 1 answers

foundations of nanomechanics solution manual

fouo document markings

fragment dhistoire future

fortigate student guide

fostex x 28 user guide

~~fox edges rig guide~~

~~four plays medea hippolytus heracles bacchae~~

~~fpso design manual~~

four fundamental questions an introduction to philosophy [paperback]

~~foxes in a vineyard lion feuchtwanger~~

four profitable trading models for stocks forex etfs and futures

fpd 7024 manual

Marcy Bike Manual :

java server programming java ee 7 j2ee 1 7 black - Jan 17 2023

aug 24 2019 online resource of java server programming java ee7 j2ee 1 7 black book home download 92 file size 87 15 mb
file count 1 create date august 24 2019

java server programming j2ee 1 4 ed black book kings avenue - Aug 12 2022

the book java server programming java ee 7 j2ee 1 7 black book platinum edition is a one time reference book that covers all aspects of java ee in an easy to understand

online resource of java server programming java ee7 j2ee - Dec 16 2022

java server programming java ee5 black book platinum ed with cd kogent solutions inc dreamtech press 2008 java computer program language 1748 pages many

[java dreamhost knowledge base](#) - Apr 08 2022

sep 9 2023 kindly say the java server programming dreamtech is universally compatible with any devices to read struts 2 black book 2nd ed with cd kogent solutions inc 2008 07

[pdf java server programming j2ee 14 ed black book full](#) - Sep 13 2022

dec 23 2005 download or read book java server programming j2ee 1 4 ed black book written by dreamtech software team and published by dreamtech press this book was

java server programming java ee7 black book - Jul 23 2023

feb 6 2019 this book java server programming java ee 6 j2ee 1 6 tutorials aids you to learn the java ee 6 technologies and simultaneously assists you to implement these

java server programming black book 2007 platinum ed - Mar 19 2023

get author dreamtech press s original book java server programming black book j2ee1 4 from rokomari com enjoy free shipping cash on delivery and extra offers on eligible

java server programming java ee7 j2ee1 7 black book - Sep 25 2023

feb 25 2019 the book java server programming java ee 7 j2ee 1 7 black book platinum edition is a one time reference book that covers all aspects of java ee in an easy

java server programming java ee7 black book documents - Jul 11 2022

dec 24 2015 name java 6 programming black book dreamtech pdf downloads 1469 update december 24 2015 file size 17 mb java 6 pdf black programming

java server programming black book j2ee1 4 dreamtech press - Feb 18 2023

the book java server programming java ee 7 j2ee 1 7 black book platinum edition is a one time reference book that covers all aspects of java ee in an easy to understand

java server programming java ee 7 j2ee 1 7 black - May 21 2023

this book java server programming java ee 6 j2ee 1 6 black book platinum edition is a onetime reference book that covers all aspects of java ee in an easy to understand approach

[java server programming java ee 6 j2ee 1 6 black](#) - Apr 20 2023

this book is the one time reference and solid introduction that covers all aspects of j2ee in an easy to understand approach how an application server runs how an application server

java server programming java ee5 black book platinum ed - Nov 15 2022

book description this book java server programming java ee 6 j2ee 1 6 tutorials aids you to learn the java ee 6 technologies and simultaneously assists you to implement these

[java server programming tutorial java ee 6 tutorial black book](#) - Jun 22 2023

amazon in buy java server programming java ee 7 j2ee 1 7 black book e book online at best prices in india on amazon in read java server programming java ee 7 j2ee 1 7

installing java development kit jdk dreambot guides - Feb 06 2022

jun 28 2018 tutorials java setup client setup on windows 10 help i do not know much about any of this stuff but i looked up a video on how to do install java and run the dreambot client i

java server programming j2ee 1 4 ed black book - Aug 24 2023

dec 23 2005 dreamtech software team dreamtech press dec 23 2005 1168 pages this book java server programming j2ee 1 4 black book 2007 platinum edition is the one

java server programming dreamtech uniport edu ng - Mar 07 2022

head towards the download page select your operating system then within the table click on the button that says msi for windows or pkg for macos to retrieve the installer warning

java setup client setup on windows 10 help tutorials - Jan 05 2022

[java 6 programming black book dreamtech pdf scribd](#) - Jun 10 2022

3 java udp client example we will write code for a client program that requests for quotes from a server that implements the quote of the day qotd service an internet standard

[java server programming tutorial java ee6 j2ee 1 6 black book](#) - Oct 14 2022

dec 23 2005 download or read book java server programming j2ee 1 4 ed black book written by dreamtech software team and published by dreamtech press this book was

java udp client server program example codejava net - May 09 2022

java is a programming language and set of libraries developed by sun microsystems now oracle dreamhost has java installed by default on all servers however some features are

daihatsu rocky workshop repair manuals pdf car manuals - Aug 24 2022

web daihatsu rocky f78 service manual 0 manual front cover pdf 29 4kb download daihatsu rocky f78 service manual 1 gi general info pdf 1 1mb download

daihatsu rocky workshop repair manuals pdf car manuals - Oct 26 2022

web daihatsu rocky f78 technical manual 0 manual front cover pdf 29 4kb download daihatsu rocky f78 service manual 1 gi general info pdf 1 1mb download

[daihatsu rocky workshop repair manuals pdf car manuals](#) - Nov 26 2022

web daihatsu rocky f300 1989 2002 workshop repair manuals pdf 26 6mb download daihatsu rocking f78 service owners 0 manual front cover pdf 29 4kb

[daihatsu rocky workshop repair manuals pdf car manuals](#) - Feb 27 2023

web daihatsu rocky f78 service manual 12 pr shaft shafts pdf 762 4kb download daihatsu rocky f78 service manual 13 df front rear differential pdf 2mb

[daihatsu rocky workshop repair manuals pdf car manuals](#) - Jul 23 2022

web daihatsu rocky f300 1989 2002 workshop repair manual pdf 26 6mb download daihatsu rocky f78 gift manual 0 manual front cover pdf 29 4kb download

daihatsu rocky workshop repair manuals pdf car manuals - Mar 31 2023

web daihatsu rocky f78 service manual 10 mt technical transmission pdf 3 3mb download daihatsu rocky f78 service manual 11 tr transfer pdf 2 3mb how

daihatsu workshop manuals daihatsu rocky f78 - Dec 16 2021

daihatsu rocky workshop repair manuals pdf car manuals - May 01 2023

web daihatsu rocky f78 service manual 14 fs front axle suspension pdf 2 6mb downloaded daihatsu rocky f78 service manual 15 rs rear axle suspensions

daihatsu rocky workshop repair manuals pdf car manuals - Aug 04 2023

web mar 28 2022 daihatsu rocky f78 service manual 0 manual cover cover pdf 29 4kb download daihatsu rocky f78 service user 1 gi general data pdf

daihatsu feroza rocky f70 f75 f77 f80 f85 service - Nov 14 2021

[daihatsu rocky service repair manuals on motor era](#) - Oct 06 2023

web apr 9 2021 61 posts 6 113 thanked 7880 daihatsu rocky f78 service manual herewith the full service manual attached files 0 manual front cover pdf 29 4 kb

daihatsu rocky workshop repair manuals pdf car manuals - May 21 2022

web our daihatsu automotive repair manuals are split into five broad categories daihatsu workshop manuals daihatsu owners manuals daihatsu wiring diagrams daihatsu

[daihatsu rocky workshop repair manuals pdf car manuals](#) - Jun 02 2023

web daihatsu rocky f78 service manual 1 gi broad info pdf 1 1mb download daihatsu rocky f78 service manual 2 mar maintenance pdf 2 2mb

daihatsu rocky workshop repair manuals pdf car manuals - Jan 29 2023

web daihatsu rocky f300 1989 2002 workshop repair manual pdf 26 6mb download daihatsu rocky f78 service manual 0 system front cover pdf 29 4kb

daihatsu rocky workshop repair manuals pdf car manuals - Jul 03 2023

web daihatsu rocky f78 support owner 10 mt manual transmission pdf 3 3mb download daihatsu rocky f78 service manual 11 tr transfer pdf 2 3mb

[daihatsu workshop repair owners manuals 100 free](#) - Apr 19 2022

web daihatsu rocky f78 service guidebook 0 manual front cover pdf 29 4kb downloaded daihatsu rocky f78 service reference 1 gi general info pdf

daihatsu rocky workshop repair manuals pdf car manuals - Sep 24 2022

web daihatsu rocky f78 service manual 16 br tension system pdf 1 9mb get daihatsu rocky f78 service manual 17 r steering pdf 2mb download

daihatsu rocky workshop repair manuals pdf car manuals - Jun 21 2022

web daihatsu rocky owner s service repair and maintenance manuals pdf electrical wiring diagrams scheduled maintenance operator instructions free download skip to show

[1992 daihatsu rocky f300 service manual pdf 88 9 mb repair](#) - Jan 17 2022

web check out our popular daihatsu other model manuals below daihatsu type ej engine service manual pdf daihatsu feroza f300 hd engine workshop manual pdf

daihatsu rocky f78 service manual 4x4 community - Sep 05 2023

web daihatsu rocky f300 1989 2002 workshop repair manual pdf 26 6mb download daihatsu rocky f78 service manual 0 manual front cover pdf 29 4kb

[daihatsu rocky workshop repair manuals pdf car manuals](#) - Dec 28 2022

web daihatsu rocky f300 1989 2002 workshop repair manual pdf 26 6mb download daihatsu rocky f78 service manual 0 owners front cover pdf 29 4kb

[daihatsu rocky f78 workshop manual by](#) - Mar 19 2022

web daihatsu feroza rocky sportrak iodine f300 repair manuals english 88 9 mb this service owner describes the support and servicing procedures for the 1992 daihatsu

daihatsu rocky workshop repair manuals pdf car manuals - Feb 15 2022

web instant download daihatsu workshop service repair manuals professional or go repair of engine gearbox controls rear wiring etc choose your daihatsu workshop

naufage l incroyable histoire d une famille qui a survécu 38 jours - Feb 17 2022

web oct 31 2023 en 1972 la famille robertson voulait parcourir le monde à bord d un voilier mais une rencontre avec un groupe d orques a mis fin à leurs rêves leur embarcation a fait naufrage et ils ont

415 jours autour du monde en famille french edition kindle edition - Jan 31 2023

web 415 jours autour du monde en famille french edition ebook partaix axelle amazon in kindle store

415 jours autour du monde en famille format kindle amazon fr - May 03 2023

web achetez et téléchargez ebook 415 jours autour du monde en famille boutique kindle tourisme et voyages amazon fr

415 jours autour du monde en famille french edition format kindle - Nov 28 2022

web 415 jours autour du monde en famille french edition ebook partaix axelle amazon ca boutique kindle

415 jours autour du monde en famille amazon sg books - Apr 02 2023

web hello sign in account lists returns orders cart

415 jours autour du monde en famille french edition kindle - Oct 28 2022

web may 31 2015 amazon co jp 415 jours autour du monde en famille french edition partaix axelle kindle

415 jours autour du monde en famille french edition by axelle partaix - Aug 26 2022

web feb 23 2021 415 jours autour du monde en famille french edition by axelle partaix auteur axelle partaix partaix axelle date février 23 2021 des vues 356

road trip turquie en famille en 15 jours voyages et enfants - Mar 21 2022

web retrouvez notre groupe facebook du voyage en famille tous les produits testés et approuvés de ma boutique 15 jours en turquie en famille pour un road trip avec des jumeaux de 17 mois kas cappadoce antalya et pamukkale

415 jours autour du monde en famille axelle partaix - Jun 04 2023

web oct 15 2018 avec humour ils racontent sous forme de journal ce périple familial cette grande parenthèse de 415 jours pleine de rencontres de découvertes et de moments exceptionnels bon honnêtement il y a eu aussi quelques galères

415 jours autour du monde en famille goodreads - Mar 01 2023

web 415 jours autour du monde en famille axelle partaix en fait tout ça ne s est pas vraiment passé en un seul jour il a quand même fallu un certain temps mais un beau jour de juin le rêve devient réalité et ils partent pour quatorze mois autour du monde

415 jours autour du monde en famille paperback amazon com - Aug 06 2023

web ce livre ne donne pas seulement envie de voyager mais de voyager en famille même avec des ados l auteure présente sous forme de journal et avec beaucoup d humour les lieux visités dans les différents pays ainsi que les aventures vécues et les défis surmontés

415 jours autour du monde en famille pdf waptac - Jul 25 2022

web 415 jours autour du monde en famille axelle partaix 2014 6e catalogue d une belle collection de livres spécialement composée d ouvrages de médecine de littérature d illustrations et de bon nombre d ouvrages de généalogie

pdf epub 415 jours autour du monde en famille - Sep 07 2023

web mais le 18 juin 2011 le rêve devient réalité et ils partent pour quatorze mois autour du monde avec humour ils racontent sous forme de journal ce périple familial cette grande parenthèse de 415 jours pleine de rencontres de découvertes et

415 jours autour du monde en famille french edition kindle edition - Dec 30 2022

web may 31 2015 415 jours autour du monde en famille french edition ebook partaix axelle amazon ca kindle store

415 jours autour du monde en famille pdf - Apr 21 2022

web as this 415 jours autour du monde en famille it ends up being one of the favored book 415 jours autour du monde en famille collections that we have this is why you remain in the best website to see the incredible book to have le tour du monde 1886 histoire des idées politiques du 18e siècle à nos jours jean touchard 1959 le tour du

415 jours autour du monde en famille télécharger des - May 23 2022

web apr 30 2020 faites que le rêve dévore votre vie avant que la vie ne dévore votre rêve cela fait déjà un bon moment que cette citation de saint exupéry trotte dans la tête

liste des éditions de 415 jours autour du monde en famille de - Jul 05 2023

web ici toutes les éditions de 415 jours autour du monde en famille renseignées par les booknautes elles sont classées par date et on peut y voir la collection à laquelle elle appartient ici que la langue de l édition cinenode cine livres 688 208 commentaires comms 2 381 613 membres 888 393 s identifier inscription

415 jours autour du monde en famille axelle partaix amazon fr - Oct 08 2023

web mais le 18 juin 2011 le rêve devient réalité et ils partent pour quatorze mois autour du monde avec humour ils racontent sous forme de journal ce périple familial cette grande parenthèse de 415 jours pleine de rencontres de découvertes et

415 jours autour du monde en famille rakuten - Sep 26 2022

web 415 jours autour du monde en famille tour du monde d une famille qui voyage en camping car pas cher

415 jours autour du monde en famille amazon - Jun 23 2022

web amazon 415 jours autour du monde en famille 415 jours autour du monde en famille

