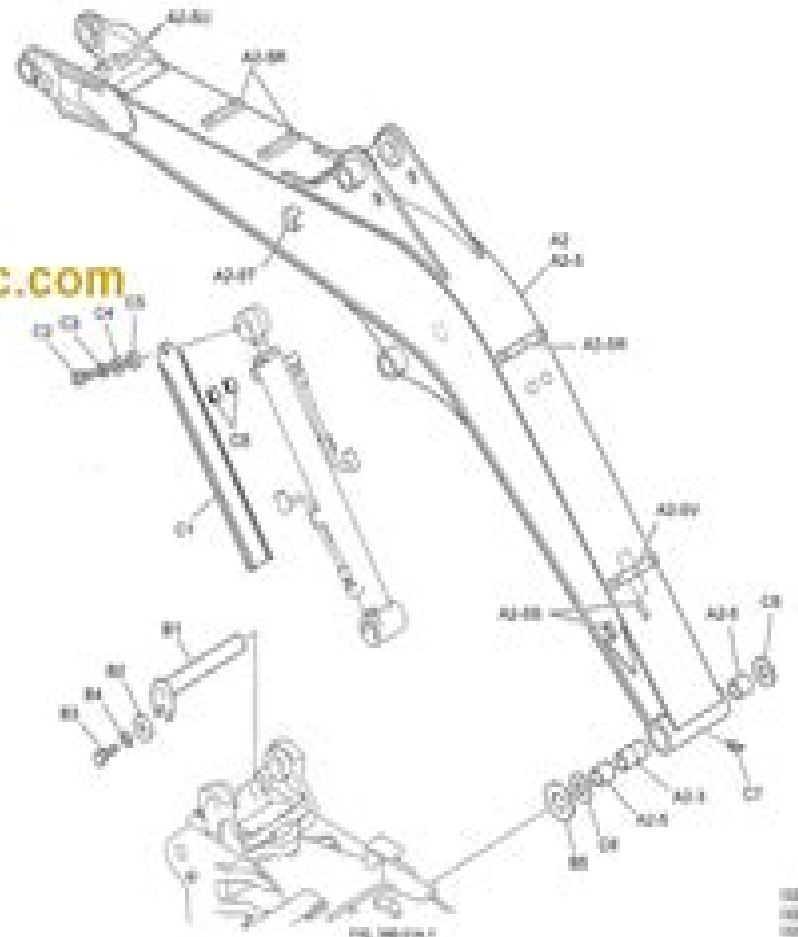


品名	品名	品名	品名	単位	単位	単位
品名	品名	品名	品名	単位	単位	単位
		7-4-760	800-000			
	7-4-760	800-000				
1	7-4-760	800-000				
2-1	7-4-760	800-000				
2-2	7-4-760	800-000				
2-3	7-4-760	800-000				
2-4	7-4-760	800-000				
2-5	7-4-760	800-000				
2-6	7-4-760	800-000				
2-7	7-4-760	800-000				
2-8	7-4-760	800-000				
2-9	7-4-760	800-000				
2-10	7-4-760	800-000				
2-11	7-4-760	800-000				
2-12	7-4-760	800-000				
2-13	7-4-760	800-000				
2-14	7-4-760	800-000				
2-15	7-4-760	800-000				
2-16	7-4-760	800-000				
2-17	7-4-760	800-000				
2-18	7-4-760	800-000				
2-19	7-4-760	800-000				
2-20	7-4-760	800-000				
2-21	7-4-760	800-000				
2-22	7-4-760	800-000				
2-23	7-4-760	800-000				
2-24	7-4-760	800-000				
2-25	7-4-760	800-000				
2-26	7-4-760	800-000				
2-27	7-4-760	800-000				
2-28	7-4-760	800-000				
2-29	7-4-760	800-000				
2-30	7-4-760	800-000				
2-31	7-4-760	800-000				
2-32	7-4-760	800-000				
2-33	7-4-760	800-000				
2-34	7-4-760	800-000				
2-35	7-4-760	800-000				
2-36	7-4-760	800-000				
2-37	7-4-760	800-000				
2-38	7-4-760	800-000				
2-39	7-4-760	800-000				
2-40	7-4-760	800-000				
2-41	7-4-760	800-000				
2-42	7-4-760	800-000				
2-43	7-4-760	800-000				
2-44	7-4-760	800-000				
2-45	7-4-760	800-000				
2-46	7-4-760	800-000				
2-47	7-4-760	800-000				
2-48	7-4-760	800-000				
2-49	7-4-760	800-000				
2-50	7-4-760	800-000				
2-51	7-4-760	800-000				
2-52	7-4-760	800-000				
2-53	7-4-760	800-000				
2-54	7-4-760	800-000				
2-55	7-4-760	800-000				
2-56	7-4-760	800-000				
2-57	7-4-760	800-000				
2-58	7-4-760	800-000				
2-59	7-4-760	800-000				
2-60	7-4-760	800-000				
2-61	7-4-760	800-000				
2-62	7-4-760	800-000				
2-63	7-4-760	800-000				
2-64	7-4-760	800-000				
2-65	7-4-760	800-000				
2-66	7-4-760	800-000				
2-67	7-4-760	800-000				
2-68	7-4-760	800-000				
2-69	7-4-760	800-000				
2-70	7-4-760	800-000				
2-71	7-4-760	800-000				
2-72	7-4-760	800-000				
2-73	7-4-760	800-000				
2-74	7-4-760	800-000				
2-75	7-4-760	800-000				
2-76	7-4-760	800-000				
2-77	7-4-760	800-000				
2-78	7-4-760	800-000				
2-79	7-4-760	800-000				
2-80	7-4-760	800-000				
2-81	7-4-760	800-000				
2-82	7-4-760	800-000				
2-83	7-4-760	800-000				
2-84	7-4-760	800-000				
2-85	7-4-760	800-000				
2-86	7-4-760	800-000				
2-87	7-4-760	800-000				
2-88	7-4-760	800-000				
2-89	7-4-760	800-000				
2-90	7-4-760	800-000				
2-91	7-4-760	800-000				
2-92	7-4-760	800-000				
2-93	7-4-760	800-000				
2-94	7-4-760	800-000				
2-95	7-4-760	800-000				
2-96	7-4-760	800-000				
2-97	7-4-760	800-000				
2-98	7-4-760	800-000				
2-99	7-4-760	800-000				
2-100	7-4-760	800-000				

800-000

7-4-760

ブームアッセンブリ - BOOM ASSEMBLY



7-4-760

800-000

Kobelco Sk30sr 2 Sk35sr 2 Mini Excavator Parts Manual Instant

Anthony S. Fauci



Kobelco Sk30sr 2 Sk35sr 2 Mini Excavator Parts Manual Instant:

Unveiling the Energy of Verbal Art: An Psychological Sojourn through **Kobelco Sk30sr 2 Sk35sr 2 Mini Excavator Parts Manual Instant**

In a world inundated with displays and the cacophony of immediate communication, the profound energy and emotional resonance of verbal artistry often fade into obscurity, eclipsed by the regular assault of noise and distractions. Yet, set within the lyrical pages of **Kobelco Sk30sr 2 Sk35sr 2 Mini Excavator Parts Manual Instant**, a charming work of literary brilliance that pulses with organic emotions, lies an unforgettable journey waiting to be embarked upon. Published with a virtuoso wordsmith, that exciting opus manuals readers on a psychological odyssey, delicately revealing the latent potential and profound impact stuck within the complicated web of language. Within the heart-wrenching expanse of the evocative evaluation, we shall embark upon an introspective exploration of the book is central themes, dissect its fascinating writing model, and immerse ourselves in the indelible effect it leaves upon the depths of readers souls.

https://www.splashdogs.com/files/scholarship/Documents/Marriage_And_Other_Leaps_Of_Faith_English_Edition.pdf

Table of Contents Kobelco Sk30sr 2 Sk35sr 2 Mini Excavator Parts Manual Instant

1. Understanding the eBook Kobelco Sk30sr 2 Sk35sr 2 Mini Excavator Parts Manual Instant
 - The Rise of Digital Reading Kobelco Sk30sr 2 Sk35sr 2 Mini Excavator Parts Manual Instant
 - Advantages of eBooks Over Traditional Books
2. Identifying Kobelco Sk30sr 2 Sk35sr 2 Mini Excavator Parts Manual Instant
 - Exploring Different Genres
 - Considering Fiction vs. Non-Fiction
 - Determining Your Reading Goals
3. Choosing the Right eBook Platform
 - Popular eBook Platforms
 - Features to Look for in an Kobelco Sk30sr 2 Sk35sr 2 Mini Excavator Parts Manual Instant
 - User-Friendly Interface
4. Exploring eBook Recommendations from Kobelco Sk30sr 2 Sk35sr 2 Mini Excavator Parts Manual Instant

- Personalized Recommendations
 - Kobelco Sk30sr 2 Sk35sr 2 Mini Excavator Parts Manual Instant User Reviews and Ratings
 - Kobelco Sk30sr 2 Sk35sr 2 Mini Excavator Parts Manual Instant and Bestseller Lists
5. Accessing Kobelco Sk30sr 2 Sk35sr 2 Mini Excavator Parts Manual Instant Free and Paid eBooks
 - Kobelco Sk30sr 2 Sk35sr 2 Mini Excavator Parts Manual Instant Public Domain eBooks
 - Kobelco Sk30sr 2 Sk35sr 2 Mini Excavator Parts Manual Instant eBook Subscription Services
 - Kobelco Sk30sr 2 Sk35sr 2 Mini Excavator Parts Manual Instant Budget-Friendly Options
 6. Navigating Kobelco Sk30sr 2 Sk35sr 2 Mini Excavator Parts Manual Instant eBook Formats
 - ePub, PDF, MOBI, and More
 - Kobelco Sk30sr 2 Sk35sr 2 Mini Excavator Parts Manual Instant Compatibility with Devices
 - Kobelco Sk30sr 2 Sk35sr 2 Mini Excavator Parts Manual Instant Enhanced eBook Features
 7. Enhancing Your Reading Experience
 - Adjustable Fonts and Text Sizes of Kobelco Sk30sr 2 Sk35sr 2 Mini Excavator Parts Manual Instant
 - Highlighting and Note-Taking Kobelco Sk30sr 2 Sk35sr 2 Mini Excavator Parts Manual Instant
 - Interactive Elements Kobelco Sk30sr 2 Sk35sr 2 Mini Excavator Parts Manual Instant
 8. Staying Engaged with Kobelco Sk30sr 2 Sk35sr 2 Mini Excavator Parts Manual Instant
 - Joining Online Reading Communities
 - Participating in Virtual Book Clubs
 - Following Authors and Publishers Kobelco Sk30sr 2 Sk35sr 2 Mini Excavator Parts Manual Instant
 9. Balancing eBooks and Physical Books Kobelco Sk30sr 2 Sk35sr 2 Mini Excavator Parts Manual Instant
 - Benefits of a Digital Library
 - Creating a Diverse Reading Collection Kobelco Sk30sr 2 Sk35sr 2 Mini Excavator Parts Manual Instant
 10. Overcoming Reading Challenges
 - Dealing with Digital Eye Strain
 - Minimizing Distractions
 - Managing Screen Time
 11. Cultivating a Reading Routine Kobelco Sk30sr 2 Sk35sr 2 Mini Excavator Parts Manual Instant
 - Setting Reading Goals Kobelco Sk30sr 2 Sk35sr 2 Mini Excavator Parts Manual Instant
 - Carving Out Dedicated Reading Time
 12. Sourcing Reliable Information of Kobelco Sk30sr 2 Sk35sr 2 Mini Excavator Parts Manual Instant

- Fact-Checking eBook Content of Kobelco Sk30sr 2 Sk35sr 2 Mini Excavator Parts Manual Instant
 - Distinguishing Credible Sources
13. Promoting Lifelong Learning
- Utilizing eBooks for Skill Development
 - Exploring Educational eBooks
14. Embracing eBook Trends
- Integration of Multimedia Elements
 - Interactive and Gamified eBooks

Kobelco Sk30sr 2 Sk35sr 2 Mini Excavator Parts Manual Instant Introduction

Kobelco Sk30sr 2 Sk35sr 2 Mini Excavator Parts Manual Instant Offers over 60,000 free eBooks, including many classics that are in the public domain. Open Library: Provides access to over 1 million free eBooks, including classic literature and contemporary works. Kobelco Sk30sr 2 Sk35sr 2 Mini Excavator Parts Manual Instant Offers a vast collection of books, some of which are available for free as PDF downloads, particularly older books in the public domain. Kobelco Sk30sr 2 Sk35sr 2 Mini Excavator Parts Manual Instant : This website hosts a vast collection of scientific articles, books, and textbooks. While it operates in a legal gray area due to copyright issues, its a popular resource for finding various publications. Internet Archive for Kobelco Sk30sr 2 Sk35sr 2 Mini Excavator Parts Manual Instant : Has an extensive collection of digital content, including books, articles, videos, and more. It has a massive library of free downloadable books. Free-eBooks Kobelco Sk30sr 2 Sk35sr 2 Mini Excavator Parts Manual Instant Offers a diverse range of free eBooks across various genres. Kobelco Sk30sr 2 Sk35sr 2 Mini Excavator Parts Manual Instant Focuses mainly on educational books, textbooks, and business books. It offers free PDF downloads for educational purposes. Kobelco Sk30sr 2 Sk35sr 2 Mini Excavator Parts Manual Instant Provides a large selection of free eBooks in different genres, which are available for download in various formats, including PDF. Finding specific Kobelco Sk30sr 2 Sk35sr 2 Mini Excavator Parts Manual Instant, especially related to Kobelco Sk30sr 2 Sk35sr 2 Mini Excavator Parts Manual Instant, might be challenging as theyre often artistic creations rather than practical blueprints. However, you can explore the following steps to search for or create your own Online Searches: Look for websites, forums, or blogs dedicated to Kobelco Sk30sr 2 Sk35sr 2 Mini Excavator Parts Manual Instant, Sometimes enthusiasts share their designs or concepts in PDF format. Books and Magazines Some Kobelco Sk30sr 2 Sk35sr 2 Mini Excavator Parts Manual Instant books or magazines might include. Look for these in online stores or libraries. Remember that while Kobelco Sk30sr 2 Sk35sr 2 Mini Excavator Parts Manual Instant, sharing copyrighted material without permission is not legal. Always ensure youre either creating your own or obtaining them from legitimate sources that allow sharing and downloading. Library Check

if your local library offers eBook lending services. Many libraries have digital catalogs where you can borrow Kobelco Sk30sr 2 Sk35sr 2 Mini Excavator Parts Manual Instant eBooks for free, including popular titles. Online Retailers: Websites like Amazon, Google Books, or Apple Books often sell eBooks. Sometimes, authors or publishers offer promotions or free periods for certain books. Authors Website Occasionally, authors provide excerpts or short stories for free on their websites. While this might not be the Kobelco Sk30sr 2 Sk35sr 2 Mini Excavator Parts Manual Instant full book, it can give you a taste of the authors writing style. Subscription Services Platforms like Kindle Unlimited or Scribd offer subscription-based access to a wide range of Kobelco Sk30sr 2 Sk35sr 2 Mini Excavator Parts Manual Instant eBooks, including some popular titles.

FAQs About Kobelco Sk30sr 2 Sk35sr 2 Mini Excavator Parts Manual Instant Books

What is a Kobelco Sk30sr 2 Sk35sr 2 Mini Excavator Parts Manual Instant PDF? A PDF (Portable Document Format) is a file format developed by Adobe that preserves the layout and formatting of a document, regardless of the software, hardware, or operating system used to view or print it. **How do I create a Kobelco Sk30sr 2 Sk35sr 2 Mini Excavator Parts Manual Instant PDF?** There are several ways to create a PDF: Use software like Adobe Acrobat, Microsoft Word, or Google Docs, which often have built-in PDF creation tools. Print to PDF: Many applications and operating systems have a "Print to PDF" option that allows you to save a document as a PDF file instead of printing it on paper. Online converters: There are various online tools that can convert different file types to PDF. **How do I edit a Kobelco Sk30sr 2 Sk35sr 2 Mini Excavator Parts Manual Instant PDF?** Editing a PDF can be done with software like Adobe Acrobat, which allows direct editing of text, images, and other elements within the PDF. Some free tools, like PDFescape or Smallpdf, also offer basic editing capabilities. **How do I convert a Kobelco Sk30sr 2 Sk35sr 2 Mini Excavator Parts Manual Instant PDF to another file format?** There are multiple ways to convert a PDF to another format: Use online converters like Smallpdf, Zamzar, or Adobe Acrobats export feature to convert PDFs to formats like Word, Excel, JPEG, etc. Software like Adobe Acrobat, Microsoft Word, or other PDF editors may have options to export or save PDFs in different formats. **How do I password-protect a Kobelco Sk30sr 2 Sk35sr 2 Mini Excavator Parts Manual Instant PDF?** Most PDF editing software allows you to add password protection. In Adobe Acrobat, for instance, you can go to "File" -> "Properties" -> "Security" to set a password to restrict access or editing capabilities. Are there any free alternatives to Adobe Acrobat for working with PDFs? Yes, there are many free alternatives for working with PDFs, such as: LibreOffice: Offers PDF editing features. PDFsam: Allows splitting, merging, and editing PDFs. Foxit Reader: Provides basic PDF viewing and editing capabilities. How do I compress a PDF file? You can use online tools like Smallpdf, ILovePDF, or desktop software like Adobe Acrobat to compress PDF files without significant quality loss. Compression reduces the file size, making it easier to share

and download. Can I fill out forms in a PDF file? Yes, most PDF viewers/editors like Adobe Acrobat, Preview (on Mac), or various online tools allow you to fill out forms in PDF files by selecting text fields and entering information. Are there any restrictions when working with PDFs? Some PDFs might have restrictions set by their creator, such as password protection, editing restrictions, or print restrictions. Breaking these restrictions might require specific software or tools, which may or may not be legal depending on the circumstances and local laws.

Find Kobelco Sk30sr 2 Sk35sr 2 Mini Excavator Parts Manual Instant :

marriage and other leaps of faith english edition

marriage guide for you experiences of the others

[massey ferguson 1560 tractor repair manual](#)

[mars station economic detective chapter 4](#)

massey 20 hay baler manual

mass effect official strategy guide

maskew longman november exam paper2013

marking scheme of biology paper 5090 may june 2003

[marlysa t0le waltras eacutepisode](#)

markon alternator manual

marvel 61hk bs f owners manual

massey ferguson 168 hydraulics manual

martin industries indoor fireplace hc36 manual

[marriage at the cowboys command](#)

[maruti ecu wiring diagram](#)

Kobelco Sk30sr 2 Sk35sr 2 Mini Excavator Parts Manual Instant :

algebra 1 linear inequalities word problems lumos learning - Nov 10 2022

web linear inequalities is a part of syllabus in algebra 1 second math course which finds application in many algebra questions including algebra word problems $2x + 5 > 9$ is an example of linear inequalities in one variable solving inequalities means finding all possible values of the variables

linear equations word problems algebra practice khan academy - Jun 17 2023

web problem ever since renata moved to her new home she s been keeping track of the height of the tree outside her window
h represents the height of the tree in centimeters t years since renata moved in

[algebra 1 linear equation word problems learny kids](#) - Sep 08 2022

web algebra 1 linear equation word problems worksheets total of 8 printable worksheets available for this concept
worksheets are linear equation word p

[mathway linear algebra problem solver](#) - Jul 18 2023

web free math problem solver answers your linear algebra homework questions with step by step explanations

[free printable math worksheets for algebra 1 kuta software](#) - Apr 15 2023

web finding angles of triangles finding side lengths of triangles statistics visualizing data center and spread of data scatter
plots using statistical models free algebra 1 worksheets created with infinite algebra 1 printable in convenient pdf format

linear equation word problems basic example video khan academy - Aug 07 2022

web let s break the problem down to clear up any confusion the variable we will use to represent the number of classes
kaylee will take is c kaylee has 19 hours available each week to complete homework with this information we can start the

equation 19 kaylee is planning on spending 2 1 2 hours doing homework for each class that she

linear word problems common core algebra 1 homework answers - Jun 05 2022

web mar 3 2021 chatting with professional paper writers through a one on one encrypted chat allows them to express their
views on how the assignment should turn out and share their feedback be on the same page with your writer 1 888 499 5521

1 888 814 4206 marketing plan

[algebra 1 worksheets word problems worksheets math aids com](#) - Mar 14 2023

web these algebra 1 equations worksheets will produce distance rate and time word problems with ten problems per
worksheet you may select the numbers to be represented with digits or in words these equations worksheets are a good
resource for students in the 5th grade through the 8th grade

[1 5 linear equations answers to the homework exercises](#) - Feb 13 2023

web nov 14 2021 this page titled 1 5 linear equations answers to the homework exercises is shared under a cc by nc sa 4 0
license and was authored remixed and or curated by darlene diaz asccc open educational resources initiative via source
content that was edited to the style and standards of the libretexts platform a detailed edit

linear word problems common core algebra 1 homework answer - May 04 2022

web mar 30 2022 linear word problems common core algebra 1 homework answer key best writing service nursing
management business and economics education 117 nursing management business and economics psychology 113 1 888 499
5521 1 888 814 4206 5462

1 4 word problems mathematics libretexts - Oct 09 2022

web nov 14 2021 now let s apply the techniques from this chapter to some common word problems word problems can be tricky the goal is becoming proficient in translating an english sentence into a mathematical sentence in this section we focus on word problems modeled by a linear equation and solve

linear word problems algebra 1 homework answers fast service - Mar 02 2022

web linear word problems algebra 1 homework answers the journey to my career sample essays resume study abroad advisor how to not get bored while writing an essay thesis knowledge transfer when you write poem title in essay the abstract should be no more than 200 words and should be structured into four sections i

linear word problems algebra 1 homework answers - Feb 01 2022

web linear word problems algebra 1 homework answers user id 102530 1513 orders prepared 652 linear word problems algebra 1 homework answers 100 success rate once your essay writing help request has reached our writers they will place bids to make the best choice for your particular task analyze the reviews bio and order

linear equation word problems worksheet pdf and answer - Jan 12 2023

web free worksheet pdf and answer key on the solving word problems based on linear equations and real world linear models scaffolded questions that start relatively easy and end with some real challenges plus model problems explained step by step

algebraic word problems lesson article khan academy - Dec 11 2022

web solving algebraic word problems requires us to combine our ability to create equations and solve them to solve an algebraic word problem define a variable write an equation using the variable solve the equation if the variable is not the answer to the word problem use the variable to calculate the answer

word problems linear equations andymath com - May 16 2023

web linear equations are a type of equation that has a linear relationship between two variables and they can often be used to solve word problems in order to solve a word problem involving a linear equation you will need to identify the variables in the problem and determine the relationship between them

exercises and problems in linear algebra portland state - Aug 19 2023

web answer is a subspace of \mathbb{R}^3 2 the smallest subspace of \mathbb{R}^3 containing the vectors $\begin{pmatrix} 2 \\ 3 \\ 3 \end{pmatrix}$ and $\begin{pmatrix} 0 \\ 3 \\ 2 \end{pmatrix}$ is the plane whose equation is $ax + by + 6z = 0$ where a and $b \in \mathbb{R}$ 3 the smallest subspace of \mathbb{R}^3 containing the vectors $\begin{pmatrix} 0 \\ 3 \\ 6 \end{pmatrix}$ and $\begin{pmatrix} 0 \\ 1 \\ 2 \end{pmatrix}$ is the line whose equations are $x = a$ and $z = by$ where a and $b \in \mathbb{R}$

linear word problems algebra 1 homework answers - Apr 03 2022

web linear word problems algebra 1 homework answers select an option shane 100 success rate 4 7 5 password reminder registration linear word problems algebra 1 homework answers 100 success rate hire a writer 741 orders prepared approve

results analysis category total orders 9156 diane m omalley

1 20 word problems for linear equations mathematics libretexts - Sep 20 2023

web 1 20 word problems for linear equations page id word problems are important applications of linear equations we start with examples of translating an english sentence or phrase into an algebraic expression

linear word problems algebra 1 homework answers - Jul 06 2022

web linear word problems algebra 1 homework answers this profile provides various assistive features to help users with cognitive disabilities such as autism dyslexia cva and others to focus on the essential elements of the website more easily

gummi die elastische faszination broschiert amazon de - Jun 18 2023

web gummi die elastische faszination ulrich giersch ulrich kubisch isbn 9783875845501 kostenloser versand für alle bücher mit versand und verkauf duch

gummi elastische faszination zvab - Nov 30 2021

web gummi die elastische faszination anlässlich der ausstellung gummi die elastische faszination des deutschen hygiene museums dresden und des museums für verkehr

gummidieelastischefaszination copy content consello - Jan 01 2022

web gummi die elastische faszination gummi tropowitz physik i der isettaschrauber plant breeding and agrarian research in kaiser wilhelm institutes 1933 1945 kunststoff als

gummi die elastische faszination abebooks - Feb 14 2023

web nicolai berlin 1995 384 s mit zahlr abb orig pappband mit orig schutzumschlag 4 sehr gutes exemplar der gebundenen ausgabe gummi die elastische faszination

gummi die elastische faszination 9783875845501 abebooks - Jul 07 2022

web gummi die elastische faszination bei abebooks de isbn 10 3875845501 isbn 13 9783875845501 softcover

[gummi die elastische faszination ulrich giersch google books](#) - Jul 19 2023

web gummi die elastische faszination ulrich giersch nicolai 1995 rubber 384 pages 0 reviews reviews aren t verified but google checks for and removes fake content when

Über die geschichte von latex gummi latexkultur de - Mar 03 2022

web mar 25 2021 allein der titel klingt vielversprechend gummi elastische faszination von ulrich giersch und ulrich kubisch bereits ein blick in die zusammenfassung verrät

gummi die elastische faszination zvab - Sep 09 2022

web nicolai berlin 1995 384 s mit zahlr abb orig pappband mit orig schutzumschlag 4 sehr gutes exemplar der gebundenen ausgabe gummi die elastische faszination

gummi die elastische faszination zvab - Aug 20 2023

web gummi die elastische faszination anlässlich der ausstellung gummi die elastische faszination des deutschen hygiene museums dresden und des museums für verkehr

the exploitation of natural rubber holden s latex - Nov 11 2022

web english version of chapter from gummi die elastische faszination ulrich giersch and ulrich kubisch berlin nicolai 1995 the following information has been reprinted from a

gummi die elastische faszination amazon de - Oct 22 2023

web gummi die elastische faszination giersch ulrich kubisch ulrich brock bazon gebhardt norman gupta heinz b isbn 9783980359313 kostenloser versand für

startseite professur für elastomere werkstoffe tu - Apr 16 2023

web gummi die elastische faszination elastomere den meisten von uns als gummi geläufig also vernetzte weiche polymere mit hohem reversiblen deformationsvermögen

gummi die elastische faszination von giersch ulrich - May 05 2022

web hardcover berlin nicolai 1995 384 s oppbd ou mit zahlr abb sehr guter zustand gummi die elastische faszination

9783875845501 gummi die elastische faszination - Aug 08 2022

web gummi die elastische faszination beim zvab com isbn 10 3875845501 isbn 13 9783875845501 softcover

3875845501 gummi die elastische faszination abebooks - Jan 13 2023

web gummi die elastische faszination anlässlich der ausstellung gummi die elastische faszination des deutschen hygiene museums dresden und des museums für

gummielastizität wikipedia - Feb 02 2022

web mit den begriffen entropieelastizität oder gummielastizität bezeichnet man die für polymere charakteristische eigenschaft nach einer verformung die auf streckung von ganzen

gummi elastische faszination von giersch ulrich kubisch zvab - Jun 06 2022

web gummi die elastische faszination anlässlich der ausstellung gummi die elastische faszination des deutschen hygiene museums dresden und des museums für verkehr

gummi die elastische faszination spektrum der wissenschaft - Sep 21 2023

web mar 1 1997 ohne die isolierenden eigenschaften von gummi und guttapercha wären die meisten neuen anwendungen der elektrotechnik im vorigen jahrhundert nicht möglich

gummi die elastische faszination german edition softcover - Mar 15 2023

web gummi die elastische faszination german edition by giersch ulrich isbn 10 3875845501 isbn 13 9783875845501 nicolai

1995 softcover gummi die

gummi die elastische faszination wechselvolle und - Dec 12 2022

web varia feuilleton gummi die elastische faszination wechselvolle und faszinierende geschichte

gummi die elastische faszination ulrich ab 3 50 - Apr 04 2022

web gummi die elastische faszination 1995 search deussi isbn 9783875845501searchbzw 3875845501 in deutsch nicolaische verlagsbuchhandlung

gummi die elastische faszination welt - Oct 10 2022

web nov 15 2011 gummi die elastische faszination veröffentlicht am 29 09 1995 lesedauer 2 minuten anzeige g eschichten zur entdeckung verarbeitung und

gummi die elastische faszination in searchworks catalog - May 17 2023

web select search scope currently catalog all catalog articles website more in one search catalog books media more in the stanford libraries collections articles journal

petit futé les plus beaux circuits en camping car en europe - Nov 25 2021

petit futa c les plus beaux circuits en camping c - Aug 03 2022

web petit futé les plus beaux circuits en camping car by petit futé april 14th 2020 j 551 à 563 de chantilly au mont st michel 513 km oh putain oh putain de putain de putain oh

petit futa c les plus beaux circuits en camping c book - Oct 17 2023

web petit futé les plus beaux circuits en camping car by petit futé petit futé les plus beaux circuits en camping car by petit futé editions le petit fute les livres de l

petit futa c les plus beaux circuits en camping c - Jul 14 2023

web les plus beaux circuits en camping car en europe 2019 2020 petit futé jan 28 2023 découvrir l europe autrement en toute liberté et autonomie c est ce que ce guide des

petit futé les plus beaux circuits en camping car en europe - Feb 26 2022

web aug 20 2023 biketrips en france baobabconsult nl le petit bastiais bibliothques municipales de bastia 3 semaines dans le mekong notre parcours et notre budget

petit futa c les plus beaux circuits en camping c download - Feb 09 2023

web petit futa c les plus beaux circuits en camping c pdf introduction petit futa c les plus beaux circuits en camping c pdf pdf the british case in french congo

petit futé les plus beaux circuits en camping car en europe - Jan 28 2022

web september 24th 2019 livre les plus beaux circuits en camping car to une sélection d une centaine d itinéraires de la bretagne à l alsace en passant par la normandie et la

download solutions petit futa c les plus beaux circuits en - Apr 11 2023

web petit futa c les plus beaux circuits en camping c les régions tempérés dec 17 2022 a comparative study of the bantu and semi bantu languages aug 01 2021

futa wikipedia - Oct 05 2022

web here s what hariz razali one of their happy customers has to say about their experience visiting thoroughly enjoyed my time here i have visited catopia twice and i extended

petit futa c les plus beaux circuits en camping c pdf pdf - Jan 08 2023

web petit futa c les plus beaux circuits en camping c pdf introduction petit futa c les plus beaux circuits en camping c pdf 2023 ambiguous adventure hamidou

petit futé les plus beaux circuits en camping car en europe - Dec 27 2021

web oct 1 2023 petit matin alors que la rosée recouvre la campagne alentour traverser des rivières des vallées et des prairies découvrir au loin châteaux abbayes ou moulins et les

petit futé les plus beaux circuits en camping car en europe - Jun 01 2022

web april 19th 2020 petit futé les plus beaux circuits en camping car toutes les régions de france avec les meilleures aires livres 102 94 mo 3 années 9 51 petit futé hors

petit futa c les plus beaux circuits en camping c pdf 2023 - Dec 07 2022

web to indulge in such simple pleasures of camping simply apply for a camping permit from any axs stations or apply online here camping permits will be required on both

petit futa c les plus beaux circuits en camping c book - Mar 10 2023

web petit futa c les plus beaux circuits en camping c can be taken as without difficulty as picked to act privatization joseph prokopenko 1998 canova s george washington

petit futé les plus beaux circuits en camping car by petit futé - Sep 16 2023

web les plus beaux circuits en camping car en europe 2019 2020 petit futé mar 04 2023 découvrir l europe autrement en toute liberté et autonomie c est ce que ce

petit futé les plus beaux circuits en camping car by petit futé - Apr 30 2022

web september 24th 2019 livre les plus beaux circuits en camping car to une sélection d une centaine d itinéraires de la bretagne à l alsace en passant par la normandie et la

camping fun recreation activities national parks board - Nov 06 2022

web other futa towel or futa towel a piece of cloth worn i