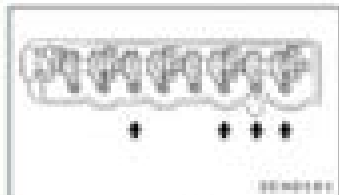


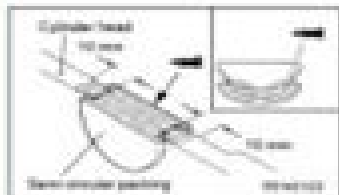
Mitsubishi Challenger 1997-2008 Workshop Manual



- If the clearance is outside the standard value, loosen the lock nut of the rocker arm and adjust by turning the adjusting screw while using a thickness gauge to measure the clearance.
- Tighten the lock nut while holding the adjusting screw with a screwdriver so that it doesn't turn.
- Turn the crankshaft 360° clockwise to bring No. 4 cylinder to the top dead centre position.



- Measure the valve clearances at the places indicated by arrows in the illustration. If the clearance is not within the standard value, repeat steps 7 and 8 above.



- Apply specified sealant to the portion of the semi-circular gasket shown in the illustration.
Specified sealant: 3M ATD Part No. 8999 or equivalent.
- Install the rocker cover.
- Install the timing belt upper cover.



INJECTION TIMING ADJUSTMENT

- Warm up the engine and check to be sure that the test oil lamp is lit and the accelerator lever is fully depressed.
- Turn the crankshaft 360° clockwise to bring No. 1 cylinder to the top dead centre position.



- Adjust the timing marks of the camshaft sprocket and set the No. 1 cylinder to the top dead centre position.

CAMSHAFT AND CAMSHAFT OIL SEAL REMOVAL AND INSTALLATION

Pre-removal and Post-installation Operation

- Use the following removal and installation (Refer to GROUP 14.)

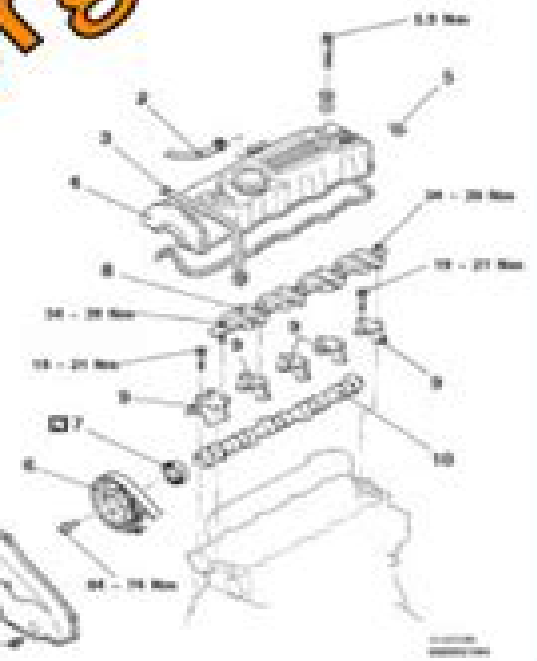


Camshaft removal steps

- Timing belt upper cover assembly
- Breather hose connection
- Boost hose connection
- Rocker cover
- Semi-circular packing
- Camshaft sprocket
- Camshaft oil seal
- Rocker arm and shaft assembly
- Camshaft bearing cap
- Camshaft



PDF Download



Camshaft oil seal removal steps

- Timing belt upper cover assembly
- Camshaft sprocket
- Camshaft oil seal



workshopmanuals.org

Mitsubishi Challenger Manual

Ken Freund, John Harold Haynes



Mitsubishi Challenger Manual :

Popular Mechanics ,1978-06 Popular Mechanics inspires instructs and influences readers to help them master the modern world Whether it s practical DIY home improvement tips gadgets and digital technology information on the newest cars or the latest breakthroughs in science PM is the ultimate guide to our high tech lifestyle *Chilton's Repair Manual, Chrysler Front Wheel Drive, 1981-92* Chilton Book Company,1992 Mitsubishi Challenger JPNZ (Firm),199? **Standard Catalog of Imported Cars 1946-2002** Mike Covello,2001-10-01 This is the only book that completely lists accurate technical data for all cars imported into the U S market from 1946 2000 With many imports approaching the antique status this book will be a big seller across all generations of car enthusiasts From the grandiose European carriages of the late Forties to the hot little Asian imports of the Nineties every car to grace American roadways from across the Atlantic and Pacific is carefully referenced in this book Foreign car devotees will appreciate the attention given to capturing precise data on Appearance and Equipment Vehicle I D Numbers Specification Charts Engine Data Chassis Technical Data Options and Historical Information Collectors restorers and car buffs will love this key book from noted automotive authors James Flammang and Mike Covello **Chilton's Repair Manual** ,1991 *Chilton Book Company Repair Manual* Chilton Automotive Books,1990-08 **Chilton Book Company Repair Manual** Chilton Book Company,The Nichols/Chilton,1988 Chilton s original line of model specific information covers older vehicles Each manual offers repair and tune up guidance designed for the weekend for the weekend mechanic covering basic maintenance and troubleshooting For the hobbyist or used car owner this information is essential and unavailable elsewhere **General Motors N-cars Automotive Repair Manual** Richard Lindwall,John Harold Haynes,1995 GM N Cars 1985 95 Shop Manual Haynes 376 pgs 902 ill Ford Aerostar Mini-vans Automotive Repair Manual Larry Warren,Mark Christman,John Harold Haynes,1996 Offers step by step procedures linked to hundreds of easy to follow photos quick and easy troubleshooting sections detailed wiring diagram and color spark plug diagnosis Every manual based on a complete teardown and rebuild **Standard Catalog of Imported Cars, 1946-1990** James M. Flammang,1992 This book provides a wealth of detailed information that collectors investors and restorers of imported cars will not find in any other book This massive volume spans the marques of imported vehicles The list includes such familiar names as Alfa Romeo Aston Martin Bentley Citroen Jaguar Lamborghini Porsche Rolls Royce Saab and Volkswagon Also in these pages you ll find details on such lesser known yet no less intriguing marques as Abarth DAF Frazer Nash Humber Iso Nardi Panhard Peerless Sabra and Skoda The book also highlights model changes and corporate histories and provides value information on the most popular models of imported cars American Cars, 1973-1980 J. "Kelly" Flory, Jr.,2012-11-14 The 1973 oil crisis forced the American automotive industry into a period of dramatic change marked by stiff foreign competition tougher product regulations and suddenly altered consumer demand With gas prices soaring and the economy in a veritable tailspin muscle cars and the massive need for speed engines of the late 60s were out

and fuel efficient compacts were in By 1980 American manufacturers were churning out some of the most feature laden yet smallest and most fuel efficient cars they had ever built This exhaustive reference work details every model from each of the major American manufacturers from model years 1973 through 1980 including various captive imports e g Dodge s Colt built by Mitsubishi Within each model year it reports on each manufacturer s significant news and details every model offered its specifications powertrain offerings prices standard features major options and production figures among other facts The work is heavily illustrated with approximately 1 300 photographs

2014 M/Y Challenger ,2013 **Nissan Maxima Automotive Repair Manual** Ken Freund,John Harold Haynes,1991 Nissan Maxima 1985 91 Shop Manual Haynes 304 pgs 730 ill

Chevrolet & GMC Pick-ups Automotive Repair Manual Ken Freund,John Harold Haynes,1990 Ford Vans Automotive Repair Manual Ralph Rendina,John Harold Haynes,1995 Ford Full Size Vans 1992 95 Shop ManualHaynes32 pgs 76 ill

Standard Catalog of American Cars, 1946-1975 John Gunnell,1992 **Nissan Sentra Automotive Repair Manual** P. G. Strasman,John Harold Haynes,1990 **Focus On: 100 Most Popular Compact Cars** Wikipedia contributors, **Autocar** ,2002 *Hyundai Excel Automotive Repair Manual* Mike Stubblefield,John Harold Haynes,1995 Hyundai Excel 1986 94 Shop Manual Haynes 247 pgs 592 b w ill

Mitsubishi Challenger Manual Book Review: Unveiling the Power of Words

In some sort of driven by information and connectivity, the ability of words has are more evident than ever. They have the ability to inspire, provoke, and ignite change. Such could be the essence of the book **Mitsubishi Challenger Manual** , a literary masterpiece that delves deep in to the significance of words and their affect our lives. Published by a renowned author, this captivating work takes readers on a transformative journey, unraveling the secrets and potential behind every word. In this review, we shall explore the book is key themes, examine its writing style, and analyze its overall effect on readers.

https://www.splashdogs.com/files/detail/Download_PDFS/Ingersoll%20Rand%20Parts%20Manual%20P13.pdf

Table of Contents Mitsubishi Challenger Manual

1. Understanding the eBook Mitsubishi Challenger Manual
 - The Rise of Digital Reading Mitsubishi Challenger Manual
 - Advantages of eBooks Over Traditional Books
2. Identifying Mitsubishi Challenger Manual
 - Exploring Different Genres
 - Considering Fiction vs. Non-Fiction
 - Determining Your Reading Goals
3. Choosing the Right eBook Platform
 - Popular eBook Platforms
 - Features to Look for in an Mitsubishi Challenger Manual
 - User-Friendly Interface
4. Exploring eBook Recommendations from Mitsubishi Challenger Manual
 - Personalized Recommendations
 - Mitsubishi Challenger Manual User Reviews and Ratings
 - Mitsubishi Challenger Manual and Bestseller Lists

5. Accessing Mitsubishi Challenger Manual Free and Paid eBooks
 - Mitsubishi Challenger Manual Public Domain eBooks
 - Mitsubishi Challenger Manual eBook Subscription Services
 - Mitsubishi Challenger Manual Budget-Friendly Options
6. Navigating Mitsubishi Challenger Manual eBook Formats
 - ePub, PDF, MOBI, and More
 - Mitsubishi Challenger Manual Compatibility with Devices
 - Mitsubishi Challenger Manual Enhanced eBook Features
7. Enhancing Your Reading Experience
 - Adjustable Fonts and Text Sizes of Mitsubishi Challenger Manual
 - Highlighting and Note-Taking Mitsubishi Challenger Manual
 - Interactive Elements Mitsubishi Challenger Manual
8. Staying Engaged with Mitsubishi Challenger Manual
 - Joining Online Reading Communities
 - Participating in Virtual Book Clubs
 - Following Authors and Publishers Mitsubishi Challenger Manual
9. Balancing eBooks and Physical Books Mitsubishi Challenger Manual
 - Benefits of a Digital Library
 - Creating a Diverse Reading Collection Mitsubishi Challenger Manual
10. Overcoming Reading Challenges
 - Dealing with Digital Eye Strain
 - Minimizing Distractions
 - Managing Screen Time
11. Cultivating a Reading Routine Mitsubishi Challenger Manual
 - Setting Reading Goals Mitsubishi Challenger Manual
 - Carving Out Dedicated Reading Time
12. Sourcing Reliable Information of Mitsubishi Challenger Manual
 - Fact-Checking eBook Content of Mitsubishi Challenger Manual
 - Distinguishing Credible Sources
13. Promoting Lifelong Learning

- Utilizing eBooks for Skill Development
 - Exploring Educational eBooks
14. Embracing eBook Trends
- Integration of Multimedia Elements
 - Interactive and Gamified eBooks

Mitsubishi Challenger Manual Introduction

In the digital age, access to information has become easier than ever before. The ability to download Mitsubishi Challenger Manual has revolutionized the way we consume written content. Whether you are a student looking for course material, an avid reader searching for your next favorite book, or a professional seeking research papers, the option to download Mitsubishi Challenger Manual has opened up a world of possibilities. Downloading Mitsubishi Challenger Manual provides numerous advantages over physical copies of books and documents. Firstly, it is incredibly convenient. Gone are the days of carrying around heavy textbooks or bulky folders filled with papers. With the click of a button, you can gain immediate access to valuable resources on any device. This convenience allows for efficient studying, researching, and reading on the go. Moreover, the cost-effective nature of downloading Mitsubishi Challenger Manual has democratized knowledge. Traditional books and academic journals can be expensive, making it difficult for individuals with limited financial resources to access information. By offering free PDF downloads, publishers and authors are enabling a wider audience to benefit from their work. This inclusivity promotes equal opportunities for learning and personal growth. There are numerous websites and platforms where individuals can download Mitsubishi Challenger Manual . These websites range from academic databases offering research papers and journals to online libraries with an expansive collection of books from various genres. Many authors and publishers also upload their work to specific websites, granting readers access to their content without any charge. These platforms not only provide access to existing literature but also serve as an excellent platform for undiscovered authors to share their work with the world. However, it is essential to be cautious while downloading Mitsubishi Challenger Manual . Some websites may offer pirated or illegally obtained copies of copyrighted material. Engaging in such activities not only violates copyright laws but also undermines the efforts of authors, publishers, and researchers. To ensure ethical downloading, it is advisable to utilize reputable websites that prioritize the legal distribution of content. When downloading Mitsubishi Challenger Manual , users should also consider the potential security risks associated with online platforms. Malicious actors may exploit vulnerabilities in unprotected websites to distribute malware or steal personal information. To protect themselves, individuals should ensure their devices have reliable antivirus software installed and validate the legitimacy of the websites they are downloading from. In conclusion, the ability to download

Mitsubishi Challenger Manual has transformed the way we access information. With the convenience, cost-effectiveness, and accessibility it offers, free PDF downloads have become a popular choice for students, researchers, and book lovers worldwide. However, it is crucial to engage in ethical downloading practices and prioritize personal security when utilizing online platforms. By doing so, individuals can make the most of the vast array of free PDF resources available and embark on a journey of continuous learning and intellectual growth.

FAQs About Mitsubishi Challenger Manual Books

How do I know which eBook platform is the best for me? Finding the best eBook platform depends on your reading preferences and device compatibility. Research different platforms, read user reviews, and explore their features before making a choice. Are free eBooks of good quality? Yes, many reputable platforms offer high-quality free eBooks, including classics and public domain works. However, make sure to verify the source to ensure the eBook credibility. Can I read eBooks without an eReader? Absolutely! Most eBook platforms offer web-based readers or mobile apps that allow you to read eBooks on your computer, tablet, or smartphone. How do I avoid digital eye strain while reading eBooks? To prevent digital eye strain, take regular breaks, adjust the font size and background color, and ensure proper lighting while reading eBooks. What the advantage of interactive eBooks? Interactive eBooks incorporate multimedia elements, quizzes, and activities, enhancing the reader engagement and providing a more immersive learning experience. Mitsubishi Challenger Manual is one of the best book in our library for free trial. We provide copy of Mitsubishi Challenger Manual in digital format, so the resources that you find are reliable. There are also many Ebooks of related with Mitsubishi Challenger Manual . Where to download Mitsubishi Challenger Manual online for free? Are you looking for Mitsubishi Challenger Manual PDF? This is definitely going to save you time and cash in something you should think about.

Find Mitsubishi Challenger Manual :

ingersoll rand parts manual p130

installation manual city multi split mitsubishi

[ingersoll rand nirvana air dryer manual](#)

inheritance study guide answers

installing pistons in ej22 motor

[instandhaltung mit sap](#)

ingersoll rand ssr ep 2se manual

installation guide for screen capture

ingersoll rand 1170 air compressor operation manual

inquiries into chemistry 3rd edition lab answers

inpatient obstetric nursing study workbook

inspiron 152user guide

inherit the wind act question answers

install blackberry administration service

ingersoll rand compressor ssr 2015 manual

Mitsubishi Challenger Manual :

toyota vitz cvt transmission fluid check no dipstick youtube - Jul 21 2022

web oct 16 2021 toyota vitz cvt transmission fluid check no dipstick newer transmission seems to have no dipstick to check the fluid level if you have a low fluid level it is difficult to say what level it is

is my 2007 vitz belt or chain driven aa new zealand - Feb 13 2022

web nov 25 2017 imports are hard to find specific information on but i have cross referenced to the nz new yaris as an example without knowing the engine size the 1.3 and 1.5ltr are both chain driven for the toyota yaris and if the engine is the same as the japanese import equivalent then this would be the same for the vitz

toyota vitz 2007 cvt transmission oil change engine tuning - May 19 2022

web jun 11 2022 toyota vitz 2007 cvt transmission oil change engine tuning gear oil change plugs fuel pump fuel average detailed video project vitz yaris cars engine suspense wairing dent

toyota vitz advice aa new zealand - Apr 29 2023

web the vitz mostly comes with the cvt transmission but are not known for problems complaints unlike a nissan or honda cvt of the same age period 100km is usually a milestone when a vehicle requires every filter and fluid to be serviced or replaced

2007 toyota vitz 1.3 cvt specifications features performance - Jul 01 2023

web 1.3 cvt this is an online automotive information provider of toyota vitz 2007 1.3 cvt specifications and features equipment and performance including fuel economy transmission warranty engine type cylinders drive train and more make sure to search the car specs including engine performance options interior upgrades headroom cargo

toyota vitz transmission fluid changing autolanka - Apr 17 2022

web may 25 2018 i recently purchased a toyota vitz 2007 2008 body with 67 000km the previous owner has been using the

car for the past 2 years and had not changed transmission fluid i am wondering whether to change it or not there is no way of checking the quality of the oil due to the lack of a dipstick in

toyota club net fluids capacities vitz 90 2005 2010 - Nov 24 2022

web genuine toyota owner s manuals used translated from japanese by toyota club net vitz 90 2005 2010 maintenance data motor oil coolant transmission fluids types and volumes

engineering toyota k cvt transmission handwiki - Aug 22 2022

web mar 5 2023 toyota voxy 2 0l 2007 2011 toyota auris corolla axio fielder toyota ractis sienta toyota vitz k111 the k111 transmission is an improved version of k110 introduced in july 2004 the k111 adds neutral gear control and acceleration linear control applications toyota noah voxy 2 0l 2004 2007 toyota corolla

2005 toyota echo 2004 toyota vitz aa new zealand - Mar 17 2022

web the toyota echo vitz is available with a cvt conventional auto and manual transmission it s best to stick to either a conventional auto or manual transmission version in this year range it has a timing chain

toyota vitz with cvt aa new zealand - May 31 2023

web jun 27 2017 how reliable is the cvt transmission in a 2007 toyota vitz it is a japanese import with 97210 kms on the clock thanks

toyota cvt reliability how many miles can it go - Oct 24 2022

web may 6 2022 let s get started any special technologies for the toyota cvt first of all we should say why toyota turned from simple automatic transmissions to cvts the reason is that the cvt provides smooth drive and offers better gas mileage than the conventional automatic transmission with the same engine

2007 toyota vitz 1 3 f specs cars directory net - Dec 26 2022

web oct 5 2023 overall the 2007 2008 toyota vitz 1 3 f with its efficient 2sz fe engine and cvt transmission offers a blend of performance fuel efficiency and maneuverability making it a practical choice for urban commuting and everyday driving

toyota vitz specs dimensions and photos car from japan - Feb 25 2023

web find all the specs about toyota vitz from engine fuel to retail costs dimensions and lots more choose the toyota vitz model and explore the versions specs and photo galleries

toyota vitz wikipedia - Aug 02 2023

web in european countries the yaris was also offered in 6 speed manual transmission for the 1 33l engine or a cvt transmission often marketed as 7 speed multidrive or multidrive s the 7 speed refers to the possibility to select a predefined gear ratio among 7 available emulating a 7 speed sequential gearbox with steering wheel

toyota vitz 1 3 a 2007 oneshift - Jun 19 2022

web toyota vitz 1 3 a the newly launched 2005 toyota vitz is equipped with generous cabin space and large luggage capacity achieved inside compact exterior dimensions through a superior package made possible by a newly developed platform

2007 toyota vitz 1 0 b intelligent package specs - Jan 27 2023

web oct 29 2023 the engine power is transmitted to the road by the front wheel drive ff with a cvt gearbox for stopping power the toyota vitz 1 0 b intelligent package braking system includes drum at the rear and v disk at the front stock tire sizes are 165 70 on 14 inch rims at the rear and 165 70 on 14 inch rims at the front

toyota cvt transmission slipping motor vehicle maintenance - Mar 29 2023

web may 5 2016 asked 7 years 6 months ago modified 2 years 9 months ago viewed 11k times 6 i have a toyota vitz 2007 and i am facing a problem for about 2 weeks now sometimes when i press the accelerator the engine revs up but i hardly see any acceleration the problem is severe when i am going uphill

toyota imports with cvt transmission aa new zealand - Sep 22 2022

web mar 30 2016 i m considering buying a freshly imported toyota auris or the fielder wagon or axio sedan variant or a toyota vitz so a second hand import from japan i m looking at 2007 or newer models with under 80 000 kms my understanding is that these cars virtually always come with a cvt transmission

toyota k cvt transmission wikipedia - Oct 04 2023

web toyota vitz k111 the k111 transmission is an improved version of k110 introduced in july 2004 the k111 adds neutral gear control and acceleration linear control applications toyota noah voxy 2 0l 2004 2007 toyota corolla e140

lookup toyota transmission by model year youcanic - Sep 03 2023

web posted on jul 24 2021 updated on oct 23 2022 below you will find a list of toyota transmissions by year model and engine size you can also look up toyota transmission by vin using the decoder tool we hope you find the lookup toyota transmission by model year guide helpful

manuel de nutrition ayurvédique by jenny adama editions adama - Jan 24 2023

web soigner l un ne va pas sans l autre le manuel de nutrition ayurvédique est un cours consacré à la nutrition ayurvédique dans ce livre vous apprendrez à vous alimenter en

manuel de nutrition ayurva c dique pdf ftp bonide - Nov 21 2022

web le manuel de nutrition ayurvédique est un cours consacré à la nutrition ayurvédique dans ce livre vous apprendrez à vous alimenter en suivant les règles ayurvédiques

manuel de nutrition ayurva c dique pdf samuel sagan full pdf - Feb 10 2022

web jun 12 2023 download and install the manuel de nutrition ayurva c dique pdf it is very simple then previously currently we extend the associate to purchase and make

manuel de nutrition ayurva c dique pdf uniport edu - Jun 16 2022

web jun 1 2023 manuel de nutrition ayurva c dique 2 8 downloaded from uniport edu ng on june 1 2023 by guest teoh himself a prize winning orchid breeder grower and author

manuel de nutrition ayurva c dique pdf uniport edu - Feb 22 2023

web mar 20 2023 bordering to the notice as capably as perspicacity of this manuel de nutrition ayurva c dique can be taken as competently as picked to act orchid biology

manuel de nutrition ayurva c dique pdf uniport edu - Jun 28 2023

web sep 15 2023 manuel de nutrition ayurva c dique 1 1 downloaded from uniport edu ng on september 15 2023 by guest manuel de nutrition ayurva c dique recognizing the

manuel de nutrition ayurva c dique pdf uniport edu - Oct 21 2022

web apr 28 2023 manuel de nutrition ayurva c dique 1 9 downloaded from uniport edu ng on april 28 2023 by guest manuel de nutrition ayurva c dique as recognized

ankara yıldırım beyazıt Üniversitesi - Sep 19 2022

web adres ankara yıldırım beyazıt Üniversitesi esenboğa külliyesi esenboğa ankara telefon 0 312 906 1996

manuel de nutrition ayurvédique by jenny adama editions adama - Nov 09 2021

web ce manuel a pour objectif de vous apprendre les fondements de la nutrition ayurvédique l ayurvéda est cette science holistique très ancienne originaire d inde

t c İstanbul yeni yüzyıl Üniversitesi - May 16 2022

web 2018 İstanbul yeni yüzyıl Üniversitesi bilgi İşlem daire başkanlığı tüm hakları saklıdır

diyet yaparken ayva yenir mi ayvanın kalorisi ve besin - Aug 19 2022

web may 12 2018 diyet yaparken ayva yenir mi sorusu meyve düşkünleri tarafından sıkça sorulmaktadır mevsimi geldiğinde tezgâhlarda yerini alan ayva birçok kişinin severek

manuel de nutrition ayurva c dique pdf 2023 - Mar 14 2022

web manuel de nutrition ayurva c dique pdf can be taken as with ease as picked to act yvain chretien de troyes 1987 09 10 a twelfth century poem by the creator of the

manuel de nutrition ayurva c dique pdf uniport edu - Dec 23 2022

web may 8 2023 install the manuel de nutrition ayurva c dique it is categorically easy then before currently we extend the link to purchase and make bargains to download and

manuel de nutrition ayurva c dique pdf api 2 crabplace - Jul 18 2022

web manuel de nutrition ayurva c dique paraquat poisoning textbook of family medicine un an de nouveautés american book

publishing record promoting access to medical
[manuel de nutrition ayurva c dique](#) - May 28 2023

web manuel de nutrition ayurva c dique diet nutrition sep 13 2021 abstract designed for the serious student whether he is lay or professional this book attempts to provide a

download free manuel de nutrition ayurva c dique pdf - Dec 11 2021

web you could purchase lead manuel de nutrition ayurva c dique pdf or acquire it as soon as feasible you could quickly download this manuel de nutrition ayurva c dique pdf

[manuel de nutrition ayurva c dique pdf cpanel urbnleaf](#) - Oct 01 2023

web manuel de nutrition ayurva c dique manuel de nutrition ayurva c dique 2 downloaded from cpanel urbnleaf com on 2022 03 19 by guest developing this inner eye will enable

pdf ayurveda beslenme sistemine uygun türk mutfağı - Aug 31 2023

web jan 24 2020 bu çalışmada ayurveda beslenme sisteminin türk mutfağı yemeklerine uyarlanması amaçlanmıştır Özellikle tüketilmesi yaygın ve sevilen geleneksel türk

ayurvedik beslenme nedir besin listesi Öneriler - Apr 14 2022

web ayurveda beslenme listesi sağlıklı İpuçları ayurveda 5000 yıldan eski geçmişe sahip olan hindistan kökenli sağlıklı beslenme sistemidir ayurvedik beslenmenin odağında

manuel de nutrition ayurva c dique pdf uniport edu - Mar 26 2023

web jun 14 2023 manuel de nutrition ayurva c dique 2 10 downloaded from uniport edu ng on june 14 2023 by guest did well enough to justify a second book and the series was

manuel de nutrition ayurva c dique full pdf projects techhut - Jul 30 2023

web ce manuel a pour objectif de vous apprendre les fondements de la nutrition ayurvédique l ayurvéda est cette science holistique très ancienne originaire d inde vieux de plus de

manuel de nutrition ayurvédique by jenny adama editions adama - Jan 12 2022

web ce manuel a pour objectif de vous apprendre les fondements de la nutrition ayurvédique l ayurvéda est cette science holistique très ancienne originaire d inde vieux de plus de

[manuel de nutrition ayurva c dique pdf wrbb neu](#) - Apr 26 2023

web manuel de nutrition ayurva c dique 1 manuel de nutrition ayurva c dique this is likewise one of the factors by obtaining the soft documents of this manuel de nutrition

la formule de dieu de josé rodrigues dos santos epub decitre - Nov 01 2021

pocket la formule de dieu by amazon ae - Sep 11 2022

web oct 1 2012 david ben gourion premier ministre de l'État d'Israël se rend à Princeton pour y rencontrer Albert Einstein l'objet de sa visite obtenir l'arme nucléaire de

la formule de dieu wikipédia - Jul 21 2023

la formule de dieu est un roman du journaliste et écrivain portugais José Rodrigues dos Santos initialement édité en 2006 il est paru en France le 14 juin 2012 chez HC Éditions puis réédité en 2013 chez Pocket À la croisée du roman historique et du thriller avec un vocabulaire et des concepts relevant de la physique le récit interprète certaines découvertes scientifiques notamment dans le domaine d

la formule de dieu José Rodrigues dos Santos pocket - Dec 14 2022

web la formule de dieu est un roman du journaliste et écrivain portugais José Rodrigues dos Santos initialement édité en 2006 il est paru en France le 14 juin 2012 chez HC

la formule de dieu José Rodrigues dos Santos l'autre monde - Dec 02 2021

web aug 21 2012 retrouvez l'ebook la formule de dieu de José Rodrigues dos Santos Éditeur HC Éditions format EPUB librairie Decitre votre prochain livre est là Pocket

la formule de dieu de José Rodrigues dos Santos aux Éditions - Jun 08 2022

web et si Einstein avait prouvé l'existence de Dieu printemps 1951 deux espions de la CIA épient une rencontre de la plus haute importance entre David Ben Gour

la formule de dieu José Rodrigues dos Santos pocket - Jan 15 2023

web le Caire de nos jours le cryptologue portugais Tomás Noronha se voit confier le décodage d'un manuscrit original son nom Die Gottesformel la formule de dieu

trailer du livre la formule de dieu aux Éditions Pocket - May 07 2022

web la définition scientifique de Dieu et les théories sur le début du monde son évolution et sa fin laissent parfois l'intrigue souffrir quelque peu de l'abondance des descriptions des

la formule de dieu amazon fr - Mar 17 2023

web haletant de bout en bout et une façon époustouflante d'associer le spirituel et la science commenté en France le 2 septembre 2023 achat vérifié on apprend de belles choses

la formule de dieu José Rodrigues dos Santos pocket - Mar 05 2022

web son nom Die Gottesformel la formule de dieu son auteur Albert Einstein lui-même l'enjeu le mode d'emploi d'une bombe nucléaire surpuissante précipité malgré lui au

la formule de dieu livre de poche 26 août 2013 amazon ca - Apr 06 2022

web oct 20 2019 découvrez et achetez la formule de dieu josé rodrigues dos santos pocket sur athenaeum com

la formule de dieu 2013 edition open library - Apr 18 2023

web la formule de dieu by josé rodrigues dos santos 2013 pocket edition in french français

la formule de dieu josé rodrigues dos santos - Sep 23 2023

web ce n est pas le genre d histoires anodines qu on oublie un an plus tard tout ce qui est dit dans ce livre reste en mémoire la formule de dieu c est l histoire d un cryptologue qui est embarqué dans une mission qui le dépasse mêlant cia enjeux politiques et recherche

la formule de dieu pocket book may 2 2013 amazon com - Jun 20 2023

web may 2 2013 erudit reviewed in france on may 6 2020 dans cet ouvrage d une grande érudition scientifique j r dos santos pose les bases d une intrigue policière pouvant

la formule de dieu pocket book aug 26 2013 amazon ca - May 19 2023

web pocket book 5 10 35 used from 2 86 8 new from 19 98 le caire de nos jours l expert portugais en cryptologie tomás noronha se voit confier le décryptage d un manuscrit

la formule de dieu de josé rodrigues dos santos - Feb 16 2023

web oct 20 2019 découvrez et achetez la formule de dieu josé rodrigues dos santos pocket sur librairienemo com s identifier 4 947 dossiers rencontres la

la formule de dieu wikiwand - Nov 13 2022

web may 2 2013 dos santos nous offre dans la formule de dieu une très bonne vulgarisation scientifique de la théorie de la relativité à la théorie des cordes en passant

la formule de dieu jose rodrigues dos santos bepolar - Jul 09 2022

web may 2 2013 résumé le caire de nos jours le cryptologue portugais tomas noronha se voit confier le décryptage d un manuscrit original son nom die gottesformel la

la formule de dieu poche josé rodrigues dos santos carlos - Aug 22 2023

web may 2 2013 le mode d emploi d une bombe nucléaire surpuissante précipité malgré lui au cœur d une affaire d espionnage international noronha plonge dans les secrets de

youtube icon wakelet - Jan 03 2022

web oct 20 2019 le mode d emploi d une bombe nucléaire surpuissante précipité malgré lui au cœur d une affaire d espionnage international noronha plonge dans les secrets de

la formule de dieu paperback oct 1 2012 amazon ca - Aug 10 2022

web may 2 2013 dans le manuscrit serait caché une formule pour créer une bombe nucléaire très puissante seulement le

manuscrit cache un secret bien plus grand la formule de

la formule de dieu poche josé rodrigues dos santos carlos - Oct 12 2022

web buy pocket la formule de dieu by online on amazon ae at best prices fast and free shipping free returns cash on delivery available on eligible purchase

la formule de dieu pocket la commanderie - Feb 04 2022

web wakelet 2023 all rights reserved brand