

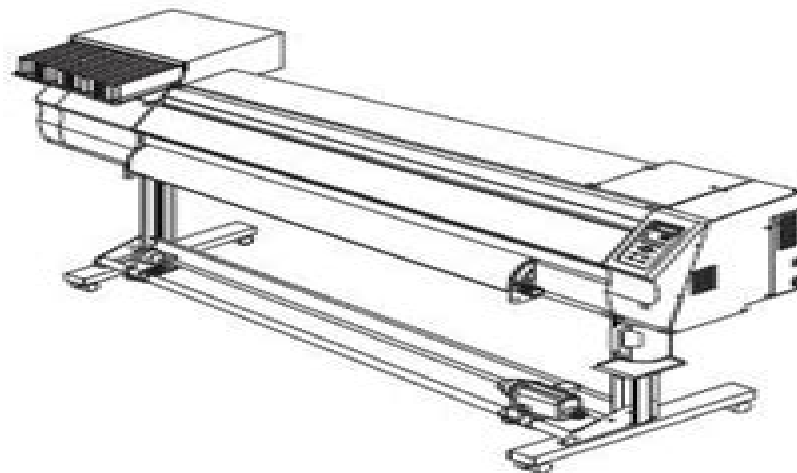
MIMAKI

# ***JV33-160***

# ***JV33-130***

## **MAINTENANCE MANUAL**

*Revision 1.2*



MIMAKI ENGINEERING CO., LTD.

URL : <http://www.mimaki.co.jp/>

D5003-66-12

**MAINTENANCE MANUAL**

# Mimaki Jv33 Service Manual

**SJ Ball**



## **Mimaki Jv33 Service Manual:**

**Tm-10-13-15 Maintenance Manual for Willys Truck 1/4 Ton 4x4** , *Service Manual Model J13, J15 & J16 Series Engines* ,1972    **Mitsubishi Jeep Full Mechanical English Service Manual** James Danko,2009-06-06 Full Mechanical English Service Manual General Vehicle Data General Maintenance Fuel System Coolant System Intake Exhaust Turbocharger Engine Electrical Components Diagrams Engine Complete Overhaul Turbo Non Turbo Clutch Transmission Driveline Front Axle Differential Overhaul Rear Axle Differential Overhaul Front Rear Suspension Brake System Steering Heater System Much More See Contents Pages for Full Listings Over 330 Pages of Details and Diagrams    Service Manual Chrysler Canada Ltd,1964    *Yamaha Service Manual R5-B*. Yamaha Motor Co. Service Department,1971    **VE Series Valiant Service Manual** Chrysler Australia. Service Division,1967    **Suzuki U70 Service Manual** Suzuki Jidōsha Kōgyō Kabushiki Kaisha,1967    *Service Manual* Chrysler Corporation,1989    VE" Series Valiant Service Manual Supplement Chrysler Australia. Service Division,    **VG Series Valiant Service Manual** Chrysler Australia. Service Division,1970    *Suzuki SJ & Vitara 1982 to 1997 (up to P Registration) 4-cyl Petrol* Bob Henderson,A. K. Legg,1994-05-01 SJ410 SJ413 Vitara inc Santana Samurai special limited editions Petrol 1 0 litre 970cc 1 3 litre 1298 1324cc 1 6 litre 1590cc 4 cyl Does NOT cover V6 engines    HELP Bumper Service Manual ,1976    *Subaru J Series* Fuji Jūkōgyō Kabushiki Kaisha,1984    *Master Service Manual* Onan Corporation,    *Service Manual* ,1984    **H Series Valiant Service Manual** Chrysler Australia. Service Division,1971    *Suzuki Service Manual, Model TS250R*. Suzuki Jidōsha Kōgyō Kabushiki Kaisha. Export Service Section,1971    Toyota 3F Engine Repair Manual Toyota Jidōsha Kabushiki Kaisha. Overseas Service Department,1985    **Yamaha Combined Service Manual** ,1972    Shop Service Manual Checker Motors Corporation,1967

This book delves into Mimaki Jv33 Service Manual. Mimaki Jv33 Service Manual is a crucial topic that needs to be grasped by everyone, from students and scholars to the general public. This book will furnish comprehensive and in-depth insights into Mimaki Jv33 Service Manual, encompassing both the fundamentals and more intricate discussions.

1. The book is structured into several chapters, namely:

- Chapter 1: Introduction to Mimaki Jv33 Service Manual
- Chapter 2: Essential Elements of Mimaki Jv33 Service Manual
- Chapter 3: Mimaki Jv33 Service Manual in Everyday Life
- Chapter 4: Mimaki Jv33 Service Manual in Specific Contexts
- Chapter 5: Conclusion

2. In chapter 1, this book will provide an overview of Mimaki Jv33 Service Manual. The first chapter will explore what Mimaki Jv33 Service Manual is, why Mimaki Jv33 Service Manual is vital, and how to effectively learn about Mimaki Jv33 Service Manual.

3. In chapter 2, the author will delve into the foundational concepts of Mimaki Jv33 Service Manual. This chapter will elucidate the essential principles that must be understood to grasp Mimaki Jv33 Service Manual in its entirety.

4. In chapter 3, the author will examine the practical applications of Mimaki Jv33 Service Manual in daily life. This chapter will showcase real-world examples of how Mimaki Jv33 Service Manual can be effectively utilized in everyday scenarios.

5. In chapter 4, this book will scrutinize the relevance of Mimaki Jv33 Service Manual in specific contexts. This chapter will explore how Mimaki Jv33 Service Manual is applied in specialized fields, such as education, business, and technology.

6. In chapter 5, the author will draw a conclusion about Mimaki Jv33 Service Manual. The final chapter will summarize the key points that have been discussed throughout the book.

This book is crafted in an easy-to-understand language and is complemented by engaging illustrations. It is highly recommended for anyone seeking to gain a comprehensive understanding of Mimaki Jv33 Service Manual.

[https://www.splashdogs.com/public/uploaded-files/default.aspx/introduction\\_to\\_thermal\\_and\\_fluids\\_engineering\\_solutions\\_manual.pdf](https://www.splashdogs.com/public/uploaded-files/default.aspx/introduction_to_thermal_and_fluids_engineering_solutions_manual.pdf)

## **Table of Contents Mimaki Jv33 Service Manual**

1. Understanding the eBook Mimaki Jv33 Service Manual
  - The Rise of Digital Reading Mimaki Jv33 Service Manual
  - Advantages of eBooks Over Traditional Books
2. Identifying Mimaki Jv33 Service Manual
  - Exploring Different Genres
  - Considering Fiction vs. Non-Fiction
  - Determining Your Reading Goals
3. Choosing the Right eBook Platform
  - Popular eBook Platforms
  - Features to Look for in an Mimaki Jv33 Service Manual
  - User-Friendly Interface
4. Exploring eBook Recommendations from Mimaki Jv33 Service Manual
  - Personalized Recommendations
  - Mimaki Jv33 Service Manual User Reviews and Ratings
  - Mimaki Jv33 Service Manual and Bestseller Lists
5. Accessing Mimaki Jv33 Service Manual Free and Paid eBooks
  - Mimaki Jv33 Service Manual Public Domain eBooks
  - Mimaki Jv33 Service Manual eBook Subscription Services
  - Mimaki Jv33 Service Manual Budget-Friendly Options
6. Navigating Mimaki Jv33 Service Manual eBook Formats
  - ePub, PDF, MOBI, and More
  - Mimaki Jv33 Service Manual Compatibility with Devices
  - Mimaki Jv33 Service Manual Enhanced eBook Features
7. Enhancing Your Reading Experience
  - Adjustable Fonts and Text Sizes of Mimaki Jv33 Service Manual
  - Highlighting and Note-Taking Mimaki Jv33 Service Manual
  - Interactive Elements Mimaki Jv33 Service Manual
8. Staying Engaged with Mimaki Jv33 Service Manual

- Joining Online Reading Communities
  - Participating in Virtual Book Clubs
  - Following Authors and Publishers Mimaki Jv33 Service Manual
9. Balancing eBooks and Physical Books Mimaki Jv33 Service Manual
- Benefits of a Digital Library
  - Creating a Diverse Reading Collection Mimaki Jv33 Service Manual
10. Overcoming Reading Challenges
- Dealing with Digital Eye Strain
  - Minimizing Distractions
  - Managing Screen Time
11. Cultivating a Reading Routine Mimaki Jv33 Service Manual
- Setting Reading Goals Mimaki Jv33 Service Manual
  - Carving Out Dedicated Reading Time
12. Sourcing Reliable Information of Mimaki Jv33 Service Manual
- Fact-Checking eBook Content of Mimaki Jv33 Service Manual
  - Distinguishing Credible Sources
13. Promoting Lifelong Learning
- Utilizing eBooks for Skill Development
  - Exploring Educational eBooks
14. Embracing eBook Trends
- Integration of Multimedia Elements
  - Interactive and Gamified eBooks

### **Mimaki Jv33 Service Manual Introduction**

Mimaki Jv33 Service Manual Offers over 60,000 free eBooks, including many classics that are in the public domain. Open Library: Provides access to over 1 million free eBooks, including classic literature and contemporary works. Mimaki Jv33 Service Manual Offers a vast collection of books, some of which are available for free as PDF downloads, particularly older books in the public domain. Mimaki Jv33 Service Manual : This website hosts a vast collection of scientific articles, books, and textbooks. While it operates in a legal gray area due to copyright issues, its a popular resource for finding various publications. Internet Archive for Mimaki Jv33 Service Manual : Has an extensive collection of digital content, including

books, articles, videos, and more. It has a massive library of free downloadable books. Free-eBooks Mimaki Jv33 Service Manual Offers a diverse range of free eBooks across various genres. Mimaki Jv33 Service Manual Focuses mainly on educational books, textbooks, and business books. It offers free PDF downloads for educational purposes. Mimaki Jv33 Service Manual Provides a large selection of free eBooks in different genres, which are available for download in various formats, including PDF. Finding specific Mimaki Jv33 Service Manual, especially related to Mimaki Jv33 Service Manual, might be challenging as theyre often artistic creations rather than practical blueprints. However, you can explore the following steps to search for or create your own Online Searches: Look for websites, forums, or blogs dedicated to Mimaki Jv33 Service Manual, Sometimes enthusiasts share their designs or concepts in PDF format. Books and Magazines Some Mimaki Jv33 Service Manual books or magazines might include. Look for these in online stores or libraries. Remember that while Mimaki Jv33 Service Manual, sharing copyrighted material without permission is not legal. Always ensure youre either creating your own or obtaining them from legitimate sources that allow sharing and downloading. Library Check if your local library offers eBook lending services. Many libraries have digital catalogs where you can borrow Mimaki Jv33 Service Manual eBooks for free, including popular titles. Online Retailers: Websites like Amazon, Google Books, or Apple Books often sell eBooks. Sometimes, authors or publishers offer promotions or free periods for certain books. Authors Website Occasionally, authors provide excerpts or short stories for free on their websites. While this might not be the Mimaki Jv33 Service Manual full book , it can give you a taste of the authors writing style. Subscription Services Platforms like Kindle Unlimited or Scribd offer subscription-based access to a wide range of Mimaki Jv33 Service Manual eBooks, including some popular titles.

### **FAQs About Mimaki Jv33 Service Manual Books**

How do I know which eBook platform is the best for me? Finding the best eBook platform depends on your reading preferences and device compatibility. Research different platforms, read user reviews, and explore their features before making a choice. Are free eBooks of good quality? Yes, many reputable platforms offer high-quality free eBooks, including classics and public domain works. However, make sure to verify the source to ensure the eBook credibility. Can I read eBooks without an eReader? Absolutely! Most eBook platforms offer web-based readers or mobile apps that allow you to read eBooks on your computer, tablet, or smartphone. How do I avoid digital eye strain while reading eBooks? To prevent digital eye strain, take regular breaks, adjust the font size and background color, and ensure proper lighting while reading eBooks. What the advantage of interactive eBooks? Interactive eBooks incorporate multimedia elements, quizzes, and activities, enhancing the reader engagement and providing a more immersive learning experience. Mimaki Jv33 Service Manual is one of the best book in our library for free trial. We provide copy of Mimaki Jv33 Service Manual in digital format, so the

resources that you find are reliable. There are also many Ebooks of related with Mimaki Jv33 Service Manual. Where to download Mimaki Jv33 Service Manual online for free? Are you looking for Mimaki Jv33 Service Manual PDF? This is definitely going to save you time and cash in something you should think about.

### **Find Mimaki Jv33 Service Manual :**

*introduction to thermal and fluids engineering solutions manual*

[introduction to political economy 5th edition balaam](#)

**introduction to financial accounting thomas solution manual**

*introductory circuit analysis 12th edition solutions*

[introduction to probability edgenuity](#)

**invacare polaris ex manual**

[inventor 2013 installation guide](#)

*introductory physical geology laboratory manual for distance learning lab 5 answers*

[invacare repair manual](#)

~~introduction to matlab palm solution manual~~

~~introductory to linear algebra kolman solution manual~~

~~introductory econometrics teachers guide 4th edition~~

**introductory textbook of psychiatry black**

**investment and commercial arbitration similarities and divergences**

~~introduction to matlab solutions manual~~

### **Mimaki Jv33 Service Manual :**

**benchmark montana road recreation atlas 3rd edition map** - Jun 13 2023

web find many great new used options and get the best deals for benchmark montana road recreation atlas 3rd edition by national maps paperback 2016 at the best online

**montana road recreation atlas by benchmark maps atlases** - Apr 11 2023

web dec 31 2016 get free shipping on benchmark montana road recreation atlas 3rd edition by national geographic maps from wordery com montana is the crown jewel of

**montana recreation map benchmark maps** - Sep 23 2021



**benchmark montana road recreation atlas 3rd edition by** - Mar 30 2022

web download the benchmark montana road recreation atlas 3rd edition by national geographic maps join that we have the funding for here and check out the link in the

benchmark montana road recreation atlas 3rd edition - Jun 01 2022

web benchmark montana road recreation atlas 3rd edition by national geographic maps suspension to help power you through unfiving terrain it has a turbo ho 3 5l ecoboost

**benchmark montana road recreation atlas 3rd edition by** - May 12 2023

web experience big sky country with benchmark s completely new 3rd edition montana road recreation atlas no other map product can better portray montana s rugged peaks

*benchmark maps montana road recreation atlas 5th edition* - Apr 30 2022

web benchmark montana road recreation atlas 3rd edition by national geographic maps benchmark montana road recreation atlas 3rd edition by national geographic

**benchmark montana road recreation atlas 3rd edition map** - Dec 07 2022

web edition 2016 benchmark maps trade paperback new available copies 2 details isbn 0929591178 isbn 13 9780929591179 edition 3rd edition publisher

**benchmark montana road recreation atlas 3rd edition** - Mar 10 2023

web jun 15 2021 5th edition 2021 isbn 9781734315073 benchmark field checkers drove thousands of miles to make sure the montana road recreation atlas is the most

**benchmark montana road recreation atlas 3rd edition by** - Feb 26 2022

web includes back roads hidden lakes boat ramps hiking trails campgrounds public lands forests wetlands and more and the gazetteer sections feature page after page of

*montana road recreation atlas by benchmark maps alibris* - Nov 06 2022

web jan 3 2023 montana road recreation atlas by benchmark maps 2008 benchmark maps edition it looks like you re offline donate Čeština cs deutsch de english

montana road recreation atlas benchmark maps - Jul 14 2023

web buy benchmark montana road recreation atlas 3rd edition by maps national geographic online on amazon ae at best prices fast and free shipping free returns cash

*benchmark montana road recreation atlas 3rd edition by* - Jan 28 2022

web jul 2 2023 montana road amp recreation atlas benchmark benchmark acknowledgment for retrieving benchmark montana road recreation atlas 3rd

[benchmark montana road recreation atlas 3rd edition by](#) - Oct 25 2021

**benchmark montana road recreation atlas 3rd edition** - Jan 08 2023

web amazon in buy benchmark montana road recreation atlas 3rd edition book online at best prices in india on amazon in read benchmark montana road recreation

**montana road recreation atlas 5th edition 2021 map** - Jul 02 2022

web take the scenic route through the rugged peaks majestic rivers and expansive plains of big sky country with the 5th edition of benchmark maps montana road recreation

**benchmark montana road recreation atlas 3rd edition** - Aug 03 2022

web all major roads most drivable back roads are shown most classified by surface rivers lakes other important features gps grids are shown the recreation guides show

**benchmark montana road recreation atlas 3rd edition by** - Nov 25 2021

web the reverse side includes inset maps of the glacier national park area and statewide hunting zones units the recreation guide features categorized poi listings with

**montana road and recreation atlas 5th edition 2021** - Feb 09 2023

web benchmark montana road recreation atlas 3rd edition maps national geographic amazon sg books

[montana road recreation atlas by benchmark maps open library](#) - Oct 05 2022

web buy benchmark montana road recreation atlas 3rd edition paperback used very good condition at walmart com

**benchmarkmontanaroadrecreationatlas3rdeditio** - Dec 27 2021

web benchmark montana road recreation atlas 3rd edition by national geographic maps benchmark montana road and recreation atlas scheels may 19th 2020 montana is

[montana road recreation atlas benchmark](#) - Aug 15 2023

web jan 1 2017 experience big sky country with benchmark s completely new 3rd edition montana road recreation atlas no other map product can better portray montana s

*montana road recreation atlas benchmark* - Sep 04 2022

web jul 4 2021 buy montana road recreation atlas 5th edition 2021 5th edition 2021 by benchmark maps isbn 9781734315073 from amazon s book store everyday low

**common design patterns framework design guidelines** - Jun 10 2023

web jun 29 2021 command query separation cqs a simple but powerful pattern abstract this tutorial demonstrates how to design software using the command query

**net design patterns codeproject** - Dec 24 2021

web net design patterns training is primarily intended for net developers who wish to improve their abilities with the goal of becoming effective software architects and creating some

**software design patterns tutorial dotnetcurry com** - Mar 07 2023

web this book teaches you how to implement design patterns in net core 3 using the latest versions of the c and f languages and provides a comprehensive overview of the field

design patterns in c and net udemy - Jan 05 2023

web design patterns are reusable solutions to common programming problems they speed up the development process by providing tested proven development paradigms this

design patterns in c net 2023 c corner - Aug 12 2023

web oct 22 2008 common design patterns article 01 06 2023 13 contributors feedback in this article in this section see also there are numerous books on software patterns

**are there any design patterns used in the net framework** - Oct 22 2021

*c design patterns dofactory* - Sep 13 2023

web aug 7 2002 design patterns are solutions to software design problems you find again and again in real world application development patterns are about reusable designs

framework design guidelines microsoft learn - Apr 08 2023

web discussions of pattern variations and alternative approaches this course provides an overview of all the gang of four gof design patterns as outlined in their seminal

*dotnet palace design patterns with c and its advantages* - Jun 29 2022

web jan 5 2022 a behavioral design pattern is concerned with communication between objects and how responsibilities are assigned between objects a method for

**top 20 net design patterns interview questions you must know** - Feb 23 2022

web may 5 2020 we can define design patterns as proven techniques to achieve certain tasks they give us a basic template to design our application using templates that have

what is a software design pattern 7 most popular patterns - Mar 27 2022

web jan 20 2008 such patterns define the road map for extending a framework using these patterns will allow your applications to benefit a great deal in extendability and code

**design patterns using c and net core udemy** - Oct 02 2022

web types of design patterns gang of four categorized the design pattern into three main categories based on the three problem area of software architecture they are as

*design patterns in c with real time examples dot net* - Oct 14 2023

web in this article series i discussed all the design patterns in c with real time examples using different types of dot net applications including asp net mvc web api net

**what design patterns are used throughout the net framework** - Jul 31 2022

web what is the builder design pattern understanding the builder design pattern with real time example understanding the class diagram of the builder design pattern

*most recommended c design pattern books dot net tutorials* - May 29 2022

web aug 22 2022 print 15 min read 22 aug 2022 32 9k views what are solid principles solid principles are a set of design patterns that aim to improve the structure of software by making it more understandable maintainable and extensible the solid principles were first proposed by robert c martin in his paper design principles and design patterns

**c builder design pattern dofactory** - Feb 06 2023

web model view controller mvc mvc is a design pattern used to decouple user interface view data model and application logic controller this pattern helps to achieve

[design patterns in net core 3 springer](#) - Dec 04 2022

web oct 10 2016 wikipedia definition the abstract factory pattern provides a way to encapsulate a group of individual factories that have a common theme without specifying

**net design patterns in c a fresh look dotnetcurry** - Sep 01 2022

web 2 implementing design patterns in c and net 5 this book covers detailed aspects of design patterns and object oriented programming concepts using the most modern

*design patterns in net c corner* - Nov 22 2021

**asp net mvc pattern net** - Nov 03 2022

web jul 14 2010 what design patterns are used throughout the net framework ask question asked 13 years 4 months ago modified 10 months ago viewed 21k times 36

**net application architecture guides** - May 09 2023

web aug 7 2002 learn how to use the c builder design pattern to create complex objects step by step with quick and easy examples 100 source code

**net design patterns course design patterns in c online** - Sep 20 2021

[builder design pattern in c with examples dot net tutorials](#) - Apr 27 2022

web implementing the repository design pattern in an asp net core mvc application using entity framework core is a great way to abstract data access and make your code more

[net design patterns tutorial for beginners](#) - Jul 11 2023

web oct 3 2023 discusses extensibility mechanisms such as subclassing using events virtual members and callbacks and explains how to choose the mechanisms that best meet

**repository design pattern in asp net core mvc using ef core** - Jan 25 2022

web are there any design patterns used in the net framework asked 14 years 2 months ago modified 3 years 8 months ago viewed 8k times 30 i would like to know are any

**organizational behavior improving performance and** - Dec 24 2021

**organizational behavior improving performance and** - Mar 27 2022

web sep 17 2019 6 according to the integrative model of organizational behaviour the two organizational level variables that impact individual level attitudes and behaviours are

[organizational behaviour by jason colquitt open library](#) - Oct 02 2022

web feb 9 2021 canadian organizational behaviour eleventh edition is written by canadians for canadians it includes several canadian cases is anchored by

*organizational behavior management and organization* - Jun 10 2023

web colquitt gellatly organizational behaviour second canadian edition builds on the success of the first edition the integrative model has been revised restructuring the

**canadian organizational behaviour mheducation ca** - Jul 31 2022

web jan 24 2014 now in its fourth edition colquitt lepine wesson continues to offer a novel and innovative approach to teaching organizational behavior the focus tone and

**organizational behaviour by jason colquitt open library** - Feb 06 2023

web organizational behaviour concepts controversies applications authors stephen p robbins author nancy langton author tim judge author robin yap author

*organizational behaviour improving performance and* - Apr 27 2022

web feb 12 2018 organizational behavior improving performance and commitment in the workplace 4th edition colquitt s july 31 2017 organizational behavior 6th edition

**organizational behavior improving performance and google** - Oct 22 2021

organizational behaviour cdn edition improving - Jul 11 2023

web feb 1 2022 the 5th canadian edition of organizational behaviour improving performance and commitment in the workplace continues to strike the perfect balance

organizational behaviour improving performance and - Nov 03 2022

web colquitt lepine and wesson s organizational behavior 8th edition continues to offer a novel approach that uses an integrative model to illustrate how individual team leader

organizational behaviour improving performance and - Apr 08 2023

web jan 4 2022 organizational behaviour by jason colquitt 2016 mcgraw hill education edition in english third canadian edition

organizational behaviour improving performance and - Jun 29 2022

web openlibrary edition ol36621086m openlibrary work ol22059479w page number confidence 84 24 pages 630 pdf module version 0 0 17 ppi 360

**organizational behavior improving performance and commitment** - Jan 25 2022

web jan 23 2018 organizational behavior 6th edition by colquitt lepine and wesson continues to offer a novel approach using an integrative model and roadmap to illustrate

organizational behaviour 4th canadian edition 2019 by jason - Nov 22 2021

**organizational behaviour concepts controversies applications** - Dec 04 2022

web sep 6 2020 organizational behaviour by jason colquitt 2013 mcgraw hill ryerson edition in english second canadian edition

organizational behavior improving performance and - May 29 2022

web oct 16 2018 organizational behaviour improving performance and commitment in the workplace jason colquitt jeffery a lepine michael j wesson ian robert gellatly

*organizational behaviour improving performance and* - Feb 23 2022

web organizational behaviour 4th canadian edition 2019 by jason a colquitt sorry this post was deleted by the person who originally posted it 3 20 comments add a comment

*organizational behavior improving performance and* - Sep 01 2022

web english xxvi 499 pages 26 cm what is organizational behaviour job performance organizational commitment job satisfaction stress motivation trust justice

**organizational behaviour improving performance and** - Aug 12 2023

web oct 14 2009 colquitt organizational behaviour canadian edition builds on the success of its us edition by bringing a highly innovative respected and talented

**organizational behaviour concepts controversies applications** - Jan 05 2023

web organizational behaviour improving performance and commitment in the workplace 5th edition author s jason a colquitt jeffery a lepine michael j wesson ian gellatly

*organizational behaviour improving performance and* - May 09 2023

web jan 22 2016 organizational behavior improving performance and commitment in the workplace colquitt jason a lepine jeffery a wesson michael j 9781259733185

organizational behavior improving performance and - Mar 07 2023

web dec 29 2022 organizational behaviour concepts controversies applications canadian edition organizational behaviour canadian edition 9th edition

organizational behaviour improving performance and - Sep 13 2023

web jan 1 2022 organizational behaviour improving performance and commitment in the workplace 5th edition jason a colquitt jeffery a lepine michael j wesson ian