

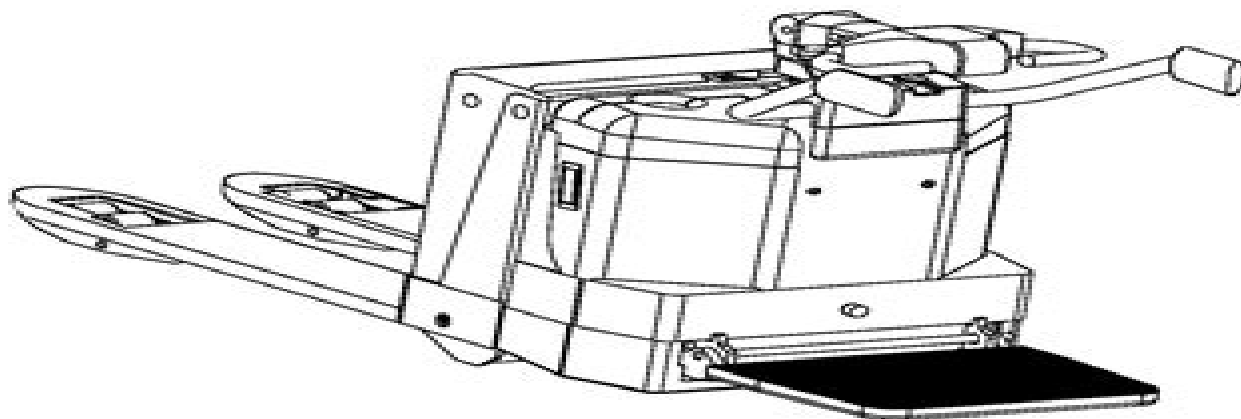
[Return To HomePage](#)

[Return To Orion Page](#)



WARNING!
Do not use the truck before
first reading through the
OPERATOR'S MANUAL.

NOTE!
Keep for future reference.



Operator's Manual en

LPE200

Valid from serial number: 936513-

Order number: 230509-040

Issued: 2006-02-26 ITS

BT Products AB
S-595 81 MJÖLBY SWEDEN

Valid only for serial number:

--	--	--	--	--	--	--	--	--	--

Manual Bt Orion Lpe200

Comshare



Manual Bt Orion Lpe200:

Orion Reference Manual Comshare, 1982

The Enigmatic Realm of **Manual Bt Orion Lpe200**: Unleashing the Language is Inner Magic

In a fast-paced digital era where connections and knowledge intertwine, the enigmatic realm of language reveals its inherent magic. Its capacity to stir emotions, ignite contemplation, and catalyze profound transformations is nothing in short supply of extraordinary. Within the captivating pages of **Manual Bt Orion Lpe200** a literary masterpiece penned with a renowned author, readers embark on a transformative journey, unlocking the secrets and untapped potential embedded within each word. In this evaluation, we shall explore the book's core themes, assess its distinct writing style, and delve into its lasting effect on the hearts and minds of those who partake in its reading experience.

https://www.splashdogs.com/data/browse/Download_PDFS/merlin_gerin_multi_9_ihp_1c_istruzioni.pdf

Table of Contents Manual Bt Orion Lpe200

1. Understanding the eBook Manual Bt Orion Lpe200
 - The Rise of Digital Reading Manual Bt Orion Lpe200
 - Advantages of eBooks Over Traditional Books
2. Identifying Manual Bt Orion Lpe200
 - Exploring Different Genres
 - Considering Fiction vs. Non-Fiction
 - Determining Your Reading Goals
3. Choosing the Right eBook Platform
 - Popular eBook Platforms
 - Features to Look for in an Manual Bt Orion Lpe200
 - User-Friendly Interface
4. Exploring eBook Recommendations from Manual Bt Orion Lpe200
 - Personalized Recommendations
 - Manual Bt Orion Lpe200 User Reviews and Ratings
 - Manual Bt Orion Lpe200 and Bestseller Lists

5. Accessing Manual Bt Orion Lpe200 Free and Paid eBooks
 - Manual Bt Orion Lpe200 Public Domain eBooks
 - Manual Bt Orion Lpe200 eBook Subscription Services
 - Manual Bt Orion Lpe200 Budget-Friendly Options
6. Navigating Manual Bt Orion Lpe200 eBook Formats
 - ePub, PDF, MOBI, and More
 - Manual Bt Orion Lpe200 Compatibility with Devices
 - Manual Bt Orion Lpe200 Enhanced eBook Features
7. Enhancing Your Reading Experience
 - Adjustable Fonts and Text Sizes of Manual Bt Orion Lpe200
 - Highlighting and Note-Taking Manual Bt Orion Lpe200
 - Interactive Elements Manual Bt Orion Lpe200
8. Staying Engaged with Manual Bt Orion Lpe200
 - Joining Online Reading Communities
 - Participating in Virtual Book Clubs
 - Following Authors and Publishers Manual Bt Orion Lpe200
9. Balancing eBooks and Physical Books Manual Bt Orion Lpe200
 - Benefits of a Digital Library
 - Creating a Diverse Reading Collection Manual Bt Orion Lpe200
10. Overcoming Reading Challenges
 - Dealing with Digital Eye Strain
 - Minimizing Distractions
 - Managing Screen Time
11. Cultivating a Reading Routine Manual Bt Orion Lpe200
 - Setting Reading Goals Manual Bt Orion Lpe200
 - Carving Out Dedicated Reading Time
12. Sourcing Reliable Information of Manual Bt Orion Lpe200
 - Fact-Checking eBook Content of Manual Bt Orion Lpe200
 - Distinguishing Credible Sources
13. Promoting Lifelong Learning

- Utilizing eBooks for Skill Development
 - Exploring Educational eBooks
14. Embracing eBook Trends
- Integration of Multimedia Elements
 - Interactive and Gamified eBooks

Manual Bt Orion Lpe200 Introduction

In the digital age, access to information has become easier than ever before. The ability to download Manual Bt Orion Lpe200 has revolutionized the way we consume written content. Whether you are a student looking for course material, an avid reader searching for your next favorite book, or a professional seeking research papers, the option to download Manual Bt Orion Lpe200 has opened up a world of possibilities. Downloading Manual Bt Orion Lpe200 provides numerous advantages over physical copies of books and documents. Firstly, it is incredibly convenient. Gone are the days of carrying around heavy textbooks or bulky folders filled with papers. With the click of a button, you can gain immediate access to valuable resources on any device. This convenience allows for efficient studying, researching, and reading on the go. Moreover, the cost-effective nature of downloading Manual Bt Orion Lpe200 has democratized knowledge. Traditional books and academic journals can be expensive, making it difficult for individuals with limited financial resources to access information. By offering free PDF downloads, publishers and authors are enabling a wider audience to benefit from their work. This inclusivity promotes equal opportunities for learning and personal growth. There are numerous websites and platforms where individuals can download Manual Bt Orion Lpe200. These websites range from academic databases offering research papers and journals to online libraries with an expansive collection of books from various genres. Many authors and publishers also upload their work to specific websites, granting readers access to their content without any charge. These platforms not only provide access to existing literature but also serve as an excellent platform for undiscovered authors to share their work with the world. However, it is essential to be cautious while downloading Manual Bt Orion Lpe200. Some websites may offer pirated or illegally obtained copies of copyrighted material. Engaging in such activities not only violates copyright laws but also undermines the efforts of authors, publishers, and researchers. To ensure ethical downloading, it is advisable to utilize reputable websites that prioritize the legal distribution of content. When downloading Manual Bt Orion Lpe200, users should also consider the potential security risks associated with online platforms. Malicious actors may exploit vulnerabilities in unprotected websites to distribute malware or steal personal information. To protect themselves, individuals should ensure their devices have reliable antivirus software installed and validate the legitimacy of the websites they are downloading from. In conclusion, the ability to download Manual Bt Orion Lpe200 has transformed the way we

access information. With the convenience, cost-effectiveness, and accessibility it offers, free PDF downloads have become a popular choice for students, researchers, and book lovers worldwide. However, it is crucial to engage in ethical downloading practices and prioritize personal security when utilizing online platforms. By doing so, individuals can make the most of the vast array of free PDF resources available and embark on a journey of continuous learning and intellectual growth.

FAQs About Manual Bt Orion Lpe200 Books

1. Where can I buy Manual Bt Orion Lpe200 books? Bookstores: Physical bookstores like Barnes & Noble, Waterstones, and independent local stores. Online Retailers: Amazon, Book Depository, and various online bookstores offer a wide range of books in physical and digital formats.
2. What are the different book formats available? Hardcover: Sturdy and durable, usually more expensive. Paperback: Cheaper, lighter, and more portable than hardcovers. E-books: Digital books available for e-readers like Kindle or software like Apple Books, Kindle, and Google Play Books.
3. How do I choose a Manual Bt Orion Lpe200 book to read? Genres: Consider the genre you enjoy (fiction, non-fiction, mystery, sci-fi, etc.). Recommendations: Ask friends, join book clubs, or explore online reviews and recommendations. Author: If you like a particular author, you might enjoy more of their work.
4. How do I take care of Manual Bt Orion Lpe200 books? Storage: Keep them away from direct sunlight and in a dry environment. Handling: Avoid folding pages, use bookmarks, and handle them with clean hands. Cleaning: Gently dust the covers and pages occasionally.
5. Can I borrow books without buying them? Public Libraries: Local libraries offer a wide range of books for borrowing. Book Swaps: Community book exchanges or online platforms where people exchange books.
6. How can I track my reading progress or manage my book collection? Book Tracking Apps: Goodreads, LibraryThing, and Book Catalogue are popular apps for tracking your reading progress and managing book collections. Spreadsheets: You can create your own spreadsheet to track books read, ratings, and other details.
7. What are Manual Bt Orion Lpe200 audiobooks, and where can I find them? Audiobooks: Audio recordings of books, perfect for listening while commuting or multitasking. Platforms: Audible, LibriVox, and Google Play Books offer a wide selection of audiobooks.
8. How do I support authors or the book industry? Buy Books: Purchase books from authors or independent bookstores. Reviews: Leave reviews on platforms like Goodreads or Amazon. Promotion: Share your favorite books on social media

- or recommend them to friends.
9. Are there book clubs or reading communities I can join? Local Clubs: Check for local book clubs in libraries or community centers. Online Communities: Platforms like Goodreads have virtual book clubs and discussion groups.
 10. Can I read Manual Bt Orion Lpe200 books for free? Public Domain Books: Many classic books are available for free as they're in the public domain. Free E-books: Some websites offer free e-books legally, like Project Gutenberg or Open Library.

Find Manual Bt Orion Lpe200 :

[merlin gerin multi 9 ihp 1c istruzioni](#)

messieurs les rondsdecur tableauxroman de la vie de bureau

~~mercury outboard service manual cd~~

meus verdes anos 531787

[mercury xri 200 1994 owners manual](#)

[mes recettes improviseacutes avec un accent russe](#)

metabo sbe610 1 2 5 0 amp hammer drill power tools owners manual

~~merrell womens sneaker owners manual~~

[mexican revolution study guide](#)

mettler toledo kingbird user manual

metropolis police department case study

mg 3 manual

mfj 259 schematic diagram

merit list of cgpmt2013

mexican corn tortilla bake recipe

Manual Bt Orion Lpe200 :

Eddy Current Array Technology Chapter (1): Eddy Current Theory ... CHAPTER (8): ARRAY SIGNAL CALIBRATION. 8.1. ARRAY SIGNAL CALIBRATION EXAMPLE. This section will show a step by step ... Eclipse Scientific EC Array - 1st Edition - NDT Supply.com This book is designed for Non-Destructive Testing (NDT) technicians, engineers and technical people interested in learning Eddy Current Array (ECA) principles ... Eddy Current Array Technology Book - 1st Edition Full colour

printed textbook of Eddy Current Array Technology for NDT Technicians. Hard cover. 302 pages. ... This book is designed for Non-Destructive Testing (... Eddy Current Testing Technology 1st Edition. Eddy Current Testing Technology www.eclipsescientific.com. Eddy ... while an array probe is used for a much smaller sample. This is mainly due ... Application of Eddy Current Array Technology from the ... by B HEUTLING · Cited by 3 — The example shows that the transmitter is kept the same while the receiving coils are switched through. At first the arrangements in longitudinal direction are ... Eddy current array technology for the inspection of aircraft ... Calibration sample. NDT 588. 5/32 and 6/32 rivet hole. Typical cross-section. EDM notch: length .1 in from rivet shank. Thickness: through 1st skin. Page 14. 14. Eddy Current Array technology Smaller coverage for the same number of elements. Single row array. • Non uniform sensitivity. • Low sensitivity to cracks parallel to scan direction and. Large Area Eddy Current Array (ECA) in Lieu of PT & MT Automated Real-Time Eddy Current Array Inspection of ... by EA Foster · 2022 · Cited by 8 — The first thread takes each 32-bit number and separates out the first and last 16-bits of data as these correspond to the imaginary and real ... Toronto Notes - Study Smarter Toronto Notes is a concise and comprehensive medical review revised annually by the University of Toronto student contributors under the guidance of the Faculty ... Essential Med Notes 2022: Clinical... by Lytvyn, Yuliya Available now, this comprehensive medical review textbook is aligned with the most recent MCCQE objectives, making it ideal for students studying for licensing ... Toronto Notes 2023 Print Bundle This concisely written, thorough textbook is an ideal study resource for medical school and licensing exams. This 39th edition features substantial ... Toronto Notes Toronto Notes. Please Note: All purchases of Medical Reference books, including Toronto Notes, are final sale; returns and exchanges will be not granted. Toronto Notes 2020 Toronto Notes began humbly in 1985 from a set of student notes circulated among medical students at the University of Toronto. Over time, Toronto. Notes has ... Essential Med Notes 2022 | 9781927363935 - Thieme Webshop Available now, this comprehensive medical review textbook is aligned with the most recent MCCQE objectives, making it ideal for students studying for licensing ... Toronto Notes (@torontonotes) Internationally cherished review text for your medical training and practice, geared as a study guide for the MCCQE. For students, by students ☐. MD Students Create Study Guide, Pay it Forward: 35 Years of ... Every year, U of T MD students revise and update Toronto Notes — a study guide for medical trainees sold across Canada and internationally — dedicating ... Toronto Notes 2023: Comprehensive Medical Reference ... Bibliographic information ; Edition, 39 ; Publisher, Toronto Notes for Medical Students, Incorporated, 2023 ; ISBN, 1927363977, 9781927363973 ; Export Citation ... Toronto Notes 2022 Original PDF Dr Notes is a website where you can store any medical book, notes, exams, and recalls online for easy sharing. The idea behind the site is to ... Toronto Notes - Study Smarter Toronto Notes is a concise and comprehensive medical review revised annually by the University of Toronto student contributors under the guidance of the Faculty ... Essential Med Notes 2022: Clinical... by Lytvyn, Yuliya Available now, this comprehensive medical review textbook is aligned with the most recent MCCQE objectives, making it ideal for

students studying for licensing ... Toronto Notes Toronto Notes. Please Note: All purchases of Medical Reference books, including Toronto Notes, are final sale; returns and exchanges will be not granted. Toronto Notes 2020 Toronto Notes began humbly in 1985 from a set of student notes circulated among medical students at the University of Toronto. Over time, Toronto. Notes has ... Toronto Notes 2023 Print Bundle This concisely written, thorough textbook is an ideal study resource for medical school and licensing exams. This 39th edition features substantial ... Essential Med Notes 2022 | 9781927363935 - Thieme Webshop Available now, this comprehensive medical review textbook is aligned with the most recent MCCQE objectives, making it ideal for students studying for licensing ... Toronto Notes (@torontonotes) Internationally cherished review text for your medical training and practice, geared as a study guide for the MCCQE. For students, by students □. MD Students Create Study Guide, Pay it Forward Every year, U of T MD students revise and update Toronto Notes — a study guide for medical trainees sold across Canada and internationally — dedicating ... Essential Med Notes 2020: Comprehensive Medical ... Toronto Notes for Medical Students is proud to present the 36th Edition of the highly successful Essential Med Notes textbook series. Toronto Notes 2023: Comprehensive Medical Reference ... Bibliographic information ; Edition, 39 ; Publisher, Toronto Notes for Medical Students, Incorporated, 2023 ; ISBN, 1927363977, 9781927363973 ; Export Citation ... A courageous people from the Dolomites: The immigrants ... A courageous people from the Dolomites: The immigrants from Trentino on U.S.A. trails [Bolognani, Boniface] on Amazon.com. *FREE* shipping on qualifying ... A Courageous people from the Dolomites : the immigrants ... A Courageous people from the Dolomites : the immigrants from Trentino on U.S.A. trails. Author: Bonifacio Bolognani (Author). Bonifacio Bolognani: Books A Courageous People from the Dolomites: The Immigrants from Trentino on U.S.A. Trails. by Bonifacio Bolognani · 4.74.7 out of 5 stars (6) · Paperback. Currently ... the immigrants from Trentino on U.S.A. trails A courageous people from the Dolomites : the immigrants from Trentino on U.S.A. trails ; Creator: Bolognani, Bonifacio, 1915- ; Language: English ; Subject ... A Courageous People from the Dolomites Cover for "A Courageous People from the Dolomites: The Immigrants from Trentino on U.S.A.. Empty Star. No reviews ... A Courageous People from the Dolomites Bibliographic information. Title, A Courageous People from the Dolomites: The Immigrants from Trentino on U.S.A. Trails. Author, Bonifacio Bolognani. Edition, 3. A Courageous People From The Dolomites The Immigrants ... Page 1. A Courageous People From The Dolomites The. Immigrants From Trentino On Usa Trails. A Courageous People From the Dolomites now online Nov 6, 2013 — States. It discusses why our ancestors left Trentino, how they traveled, where they went, their lives in their new country, working in the mines ... A Courageous People from the Dolomites A Courageous People from the Dolomites: The Immigrants from Trentino on U.S.A. Trails. Author, Bonifacio Bolognani. Publisher, Autonomous Province(IS), 1981. A Courageous People from the Dolomites, by Bonifacio ... A Courageous People from the Dolomites, by Bonifacio Bolognani. Pbk, 1984 ... Immigrants from Trentino to USA. Subject. Catholicism, Italian immigration.