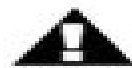
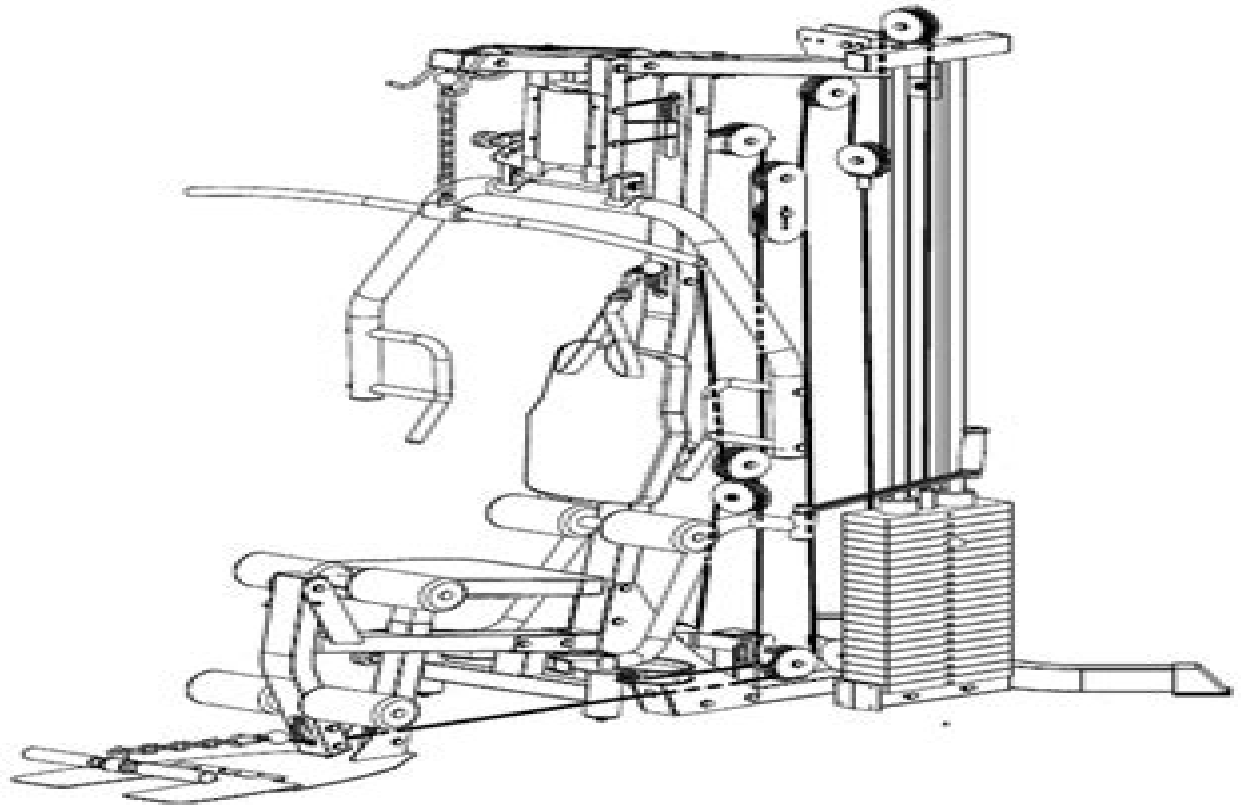


OWNER'S MANUAL

MULTI GYM WITH BUTTERFLY Model #: 486 MG



Caution: Read all precautions and instructions in this manual before using this equipment. Save this manual for future reference.

Multi Tech Rf825 Owners Manual

M Carnoy



Multi Tech Rf825 Owners Manual:

Unveiling the Magic of Words: A Overview of "**Multi Tech Rf825 Owners Manual**"

In a global defined by information and interconnectivity, the enchanting power of words has acquired unparalleled significance. Their capability to kindle emotions, provoke contemplation, and ignite transformative change is actually awe-inspiring. Enter the realm of "**Multi Tech Rf825 Owners Manual**," a mesmerizing literary masterpiece penned with a distinguished author, guiding readers on a profound journey to unravel the secrets and potential hidden within every word. In this critique, we shall delve to the book is central themes, examine its distinctive writing style, and assess its profound affect the souls of its readers.

<https://www.splashdogs.com/files/virtual-library/HomePages/Hp%20Desktop%20Maintenance%20Guide.pdf>

Table of Contents Multi Tech Rf825 Owners Manual

1. Understanding the eBook Multi Tech Rf825 Owners Manual
 - The Rise of Digital Reading Multi Tech Rf825 Owners Manual
 - Advantages of eBooks Over Traditional Books
2. Identifying Multi Tech Rf825 Owners Manual
 - Exploring Different Genres
 - Considering Fiction vs. Non-Fiction
 - Determining Your Reading Goals
3. Choosing the Right eBook Platform
 - Popular eBook Platforms
 - Features to Look for in an Multi Tech Rf825 Owners Manual
 - User-Friendly Interface
4. Exploring eBook Recommendations from Multi Tech Rf825 Owners Manual
 - Personalized Recommendations
 - Multi Tech Rf825 Owners Manual User Reviews and Ratings
 - Multi Tech Rf825 Owners Manual and Bestseller Lists

5. Accessing Multi Tech Rf825 Owners Manual Free and Paid eBooks
 - Multi Tech Rf825 Owners Manual Public Domain eBooks
 - Multi Tech Rf825 Owners Manual eBook Subscription Services
 - Multi Tech Rf825 Owners Manual Budget-Friendly Options
6. Navigating Multi Tech Rf825 Owners Manual eBook Formats
 - ePub, PDF, MOBI, and More
 - Multi Tech Rf825 Owners Manual Compatibility with Devices
 - Multi Tech Rf825 Owners Manual Enhanced eBook Features
7. Enhancing Your Reading Experience
 - Adjustable Fonts and Text Sizes of Multi Tech Rf825 Owners Manual
 - Highlighting and Note-Taking Multi Tech Rf825 Owners Manual
 - Interactive Elements Multi Tech Rf825 Owners Manual
8. Staying Engaged with Multi Tech Rf825 Owners Manual
 - Joining Online Reading Communities
 - Participating in Virtual Book Clubs
 - Following Authors and Publishers Multi Tech Rf825 Owners Manual
9. Balancing eBooks and Physical Books Multi Tech Rf825 Owners Manual
 - Benefits of a Digital Library
 - Creating a Diverse Reading Collection Multi Tech Rf825 Owners Manual
10. Overcoming Reading Challenges
 - Dealing with Digital Eye Strain
 - Minimizing Distractions
 - Managing Screen Time
11. Cultivating a Reading Routine Multi Tech Rf825 Owners Manual
 - Setting Reading Goals Multi Tech Rf825 Owners Manual
 - Carving Out Dedicated Reading Time
12. Sourcing Reliable Information of Multi Tech Rf825 Owners Manual
 - Fact-Checking eBook Content of Multi Tech Rf825 Owners Manual
 - Distinguishing Credible Sources
13. Promoting Lifelong Learning

- Utilizing eBooks for Skill Development
 - Exploring Educational eBooks
14. Embracing eBook Trends
- Integration of Multimedia Elements
 - Interactive and Gamified eBooks

Multi Tech Rf825 Owners Manual Introduction

In today's digital age, the availability of Multi Tech Rf825 Owners Manual books and manuals for download has revolutionized the way we access information. Gone are the days of physically flipping through pages and carrying heavy textbooks or manuals. With just a few clicks, we can now access a wealth of knowledge from the comfort of our own homes or on the go. This article will explore the advantages of Multi Tech Rf825 Owners Manual books and manuals for download, along with some popular platforms that offer these resources. One of the significant advantages of Multi Tech Rf825 Owners Manual books and manuals for download is the cost-saving aspect. Traditional books and manuals can be costly, especially if you need to purchase several of them for educational or professional purposes. By accessing Multi Tech Rf825 Owners Manual versions, you eliminate the need to spend money on physical copies. This not only saves you money but also reduces the environmental impact associated with book production and transportation. Furthermore, Multi Tech Rf825 Owners Manual books and manuals for download are incredibly convenient. With just a computer or smartphone and an internet connection, you can access a vast library of resources on any subject imaginable. Whether you're a student looking for textbooks, a professional seeking industry-specific manuals, or someone interested in self-improvement, these digital resources provide an efficient and accessible means of acquiring knowledge. Moreover, PDF books and manuals offer a range of benefits compared to other digital formats. PDF files are designed to retain their formatting regardless of the device used to open them. This ensures that the content appears exactly as intended by the author, with no loss of formatting or missing graphics. Additionally, PDF files can be easily annotated, bookmarked, and searched for specific terms, making them highly practical for studying or referencing. When it comes to accessing Multi Tech Rf825 Owners Manual books and manuals, several platforms offer an extensive collection of resources. One such platform is Project Gutenberg, a nonprofit organization that provides over 60,000 free eBooks. These books are primarily in the public domain, meaning they can be freely distributed and downloaded. Project Gutenberg offers a wide range of classic literature, making it an excellent resource for literature enthusiasts. Another popular platform for Multi Tech Rf825 Owners Manual books and manuals is Open Library. Open Library is an initiative of the Internet Archive, a non-profit organization dedicated to digitizing cultural artifacts and making them accessible to the public. Open Library hosts millions of books, including both public domain works and contemporary

titles. It also allows users to borrow digital copies of certain books for a limited period, similar to a library lending system. Additionally, many universities and educational institutions have their own digital libraries that provide free access to PDF books and manuals. These libraries often offer academic texts, research papers, and technical manuals, making them invaluable resources for students and researchers. Some notable examples include MIT OpenCourseWare, which offers free access to course materials from the Massachusetts Institute of Technology, and the Digital Public Library of America, which provides a vast collection of digitized books and historical documents. In conclusion, Multi Tech Rf825 Owners Manual books and manuals for download have transformed the way we access information. They provide a cost-effective and convenient means of acquiring knowledge, offering the ability to access a vast library of resources at our fingertips. With platforms like Project Gutenberg, Open Library, and various digital libraries offered by educational institutions, we have access to an ever-expanding collection of books and manuals. Whether for educational, professional, or personal purposes, these digital resources serve as valuable tools for continuous learning and self-improvement. So why not take advantage of the vast world of Multi Tech Rf825 Owners Manual books and manuals for download and embark on your journey of knowledge?

FAQs About Multi Tech Rf825 Owners Manual Books

How do I know which eBook platform is the best for me? Finding the best eBook platform depends on your reading preferences and device compatibility. Research different platforms, read user reviews, and explore their features before making a choice. Are free eBooks of good quality? Yes, many reputable platforms offer high-quality free eBooks, including classics and public domain works. However, make sure to verify the source to ensure the eBook credibility. Can I read eBooks without an eReader? Absolutely! Most eBook platforms offer webbased readers or mobile apps that allow you to read eBooks on your computer, tablet, or smartphone. How do I avoid digital eye strain while reading eBooks? To prevent digital eye strain, take regular breaks, adjust the font size and background color, and ensure proper lighting while reading eBooks. What the advantage of interactive eBooks? Interactive eBooks incorporate multimedia elements, quizzes, and activities, enhancing the reader engagement and providing a more immersive learning experience. Multi Tech Rf825 Owners Manual is one of the best book in our library for free trial. We provide copy of Multi Tech Rf825 Owners Manual in digital format, so the resources that you find are reliable. There are also many Ebooks of related with Multi Tech Rf825 Owners Manual. Where to download Multi Tech Rf825 Owners Manual online for free? Are you looking for Multi Tech Rf825 Owners Manual PDF? This is definitely going to save you time and cash in something you should think about. If you trying to find then search around for online. Without a doubt there are numerous these available and many of them have the freedom. However without doubt you receive whatever you purchase. An alternate way to get ideas is always to check another Multi Tech Rf825 Owners Manual.

This method for see exactly what may be included and adopt these ideas to your book. This site will almost certainly help you save time and effort, money and stress. If you are looking for free books then you really should consider finding to assist you try this. Several of Multi Tech Rf825 Owners Manual are for sale to free while some are payable. If you arent sure if the books you would like to download works with for usage along with your computer, it is possible to download free trials. The free guides make it easy for someone to free access online library for download books to your device. You can get free download on free trial for lots of books categories. Our library is the biggest of these that have literally hundreds of thousands of different products categories represented. You will also see that there are specific sites catered to different product types or categories, brands or niches related with Multi Tech Rf825 Owners Manual. So depending on what exactly you are searching, you will be able to choose e books to suit your own need. Need to access completely for Campbell Biology Seventh Edition book? Access Ebook without any digging. And by having access to our ebook online or by storing it on your computer, you have convenient answers with Multi Tech Rf825 Owners Manual To get started finding Multi Tech Rf825 Owners Manual, you are right to find our website which has a comprehensive collection of books online. Our library is the biggest of these that have literally hundreds of thousands of different products represented. You will also see that there are specific sites catered to different categories or niches related with Multi Tech Rf825 Owners Manual So depending on what exactly you are searching, you will be able to choose ebook to suit your own need. Thank you for reading Multi Tech Rf825 Owners Manual. Maybe you have knowledge that, people have search numerous times for their favorite readings like this Multi Tech Rf825 Owners Manual, but end up in harmful downloads. Rather than reading a good book with a cup of coffee in the afternoon, instead they juggled with some harmful bugs inside their laptop. Multi Tech Rf825 Owners Manual is available in our book collection an online access to it is set as public so you can download it instantly. Our digital library spans in multiple locations, allowing you to get the most less latency time to download any of our books like this one. Merely said, Multi Tech Rf825 Owners Manual is universally compatible with any devices to read.

Find Multi Tech Rf825 Owners Manual :

hp desktop maintenance guide

~~[hp 3200se multifunction printers accessory owners manual](#)~~

~~[hp dv1532 laptops owners manual](#)~~

hp 3200 manual

~~[hp dc5800 sff desktops owners manual](#)~~

hp deskjet 2050 j510 manual

hp 70951a technical manual

hp a6637 desktops owners manual

hp 5205 desktops owners manual

hp dv2309 laptops owners manual

hp bc1500 desktops owners manual

hp 7104 desktops owners manual

hp 9200c digital sender service repair manual

~~hp 48gx quickstart guide~~

hp 400 cone crusher manual

Multi Tech Rf825 Owners Manual :

rosewood abu dhabi abu dhabi updated 2023 prices booking com - Mar 17 2022

web the hotel s health and fitness club contains state of the art equipment dedicated to a range of cardiovascular and strength training workouts sense spa provides an extensive range of indulgent therapies treatments and services rosewood abu dhabi s 8 restaurants and lounges offer distinctive dining experiences for guests

rosewood confidential english edition pdf - Feb 25 2023

web appearing in english korean and chinese sources this book reveals that ordinary north koreans poor and rich alike enjoy listening to k pop music and are addicted to south korean tv dramas in direct contravention of government dictates pirated foreign movies and shows american south korean and

rosewood confidential 2012 edition open library - Sep 03 2023

web rosewood confidential the unofficial companion to pretty little liars by liv spencer 0 ratings 0 want to read 0 currently reading 0 have read

rosewood confidential english edition - Nov 24 2022

web rosewood confidential english edition downloaded from controlplane themintgaming com by guest sherlyn schneider decisions and orders of the national labor relations board john wiley sons an exploration as well as a literary celebration of the fascinating young adult fantasy series this companion guide takes

rosewood confidential google books - Mar 29 2023

web ecw press jul 12 2012 juvenile nonfiction 216 pages 3 reviews reviews aren t verified but google checks for and removes fake content when it s identified rosewood confidential is the

rosewood confidential english edition kindle edition amazon de - Jul 01 2023

web jul 2 2012 rosewood confidential english edition ebook spencer liv amazon de kindle store

rosewoodconfidentialenglshedition pdf cpanel urbnleaf - Aug 22 2022

web title rosewoodconfidentialenglshedition pdf cpanel urbnleaf com subject rosewoodconfidentialenglshedition pdf created date 10 9 2023 3 54 52 am

editions of rosewood confidential the unofficial companion - Oct 04 2023

web editions for rosewood confidential the unofficial companion to pretty little liars 1770410953 paperback published in 2012 kindle edition published home my books

overview rosewood abu dhabi - Apr 17 2022

web rosewood abu dhabi aims to provide family centric fun for all and that includes catering to its youngest guests rosewood explorers the resort s program for kids is designed to provide children with a unique playtime experience in the uae s capital offering a range of special services amenities and convenience items aimed directly at their interests

rosewood confidential english edition stage gapinc com - Oct 24 2022

web rosewood confidential english edition downloaded from stage gapinc com by guest jax whitaker texas hiv aids community resource directory rosewood confidential presents the life and career of the country singer offering insight into her personal relationships and influences in an edition updated to chronicle her recent successes

rosewood english meaning cambridge dictionary - Feb 13 2022

web meaning of rosewood in english rosewood noun u uk 'rəʊz wɒd us 'roʊz wɒd add to word list a hard dark wood used especially for making high quality furniture

rosewood confidential digital downloads collaboration - May 31 2023

web browse borrow and enjoy titles from the digital downloads collaboration digital collection

rosewood confidential kindle edition amazon co uk - Jan 27 2023

web jul 12 2012 rosewood confidential kindle edition by liv spencer author format kindle edition 77 ratings see all formats and editions kindle edition 5 60 read with our free app paperback 0 31 10 used from 0 31

rosewood confidential english edition uniport edu ng - Dec 26 2022

web may 7 2023 rosewood confidential english edition 2 12 downloaded from uniport edu ng on may 7 2023 by guest international business negotiations pervez n ghauri 2020 10 30 this insightful new textbook provides comprehensive coverage of the theories and practices key to negotiating business deals in the twenty first century

rosewood confidential english edition uniport edu ng - Apr 29 2023

web aug 17 2023 rosewood confidential english edition is available in our digital library an online access to it is set as public so you can download it instantly our book servers spans in multiple countries allowing you to get the most less latency time to download any of our books like this one merely said the rosewood confidential english edition is

rosewood confidential by liv spencer open library - Aug 02 2023

web rosewood confidential the unofficial companion to pretty little liars by liv spencer 0 ratings 0 want to read 0 currently reading 0 have read

rosewood confidential english edition uniport edu ng - Jul 21 2022

web apr 18 2023 rosewood confidential english edition 2 8 downloaded from uniport edu ng on april 18 2023 by guest rosewood confidential liv spencer 2012 07 12 for all the juicy details on the breakout hit tv show that s got people talking tweeting and tuning in week after week look no further than rosewood confidential

rosewood confidential english edition uniport edu ng - Sep 22 2022

web jun 6 2023 favorite books afterward this rosewood confidential english edition but stop occurring in harmful downloads rather than enjoying a good book similar to a cup of coffee in the afternoon on the other hand they juggled following some harmful virus inside their computer rosewood confidential english edition is easy to use in our digital

rosewood exotic hardwood durable timber fragrant oil - May 19 2022

web rosewood any of several ornamental timbers products of various tropical trees native to brazil honduras jamaica africa and india the most important commercially are the honduras rosewood dalbergia stevensoni and the brazilian rosewood principally d nigra a leguminous tree up to 125

rosewood confidential english edition - Jun 19 2022

web rosewood confidential rosewood confidential english edition downloaded from helpdesk bricksave com by guest ivy hillary the illustrated london news ecw press the law of trusts is a subject of considerable importance in the commonwealth caribbean traditional areas such as testamentary trusts resulting and constructive trusts and

die kunst einen drachen zu reiten erfolg ist das ergebnis - Sep 09 2023

web die kunst einen drachen zu reiten erfolg ist das ergebnis deines denkens moestl bernhard isbn 9783426784372 kostenloser versand für alle bücher mit versand und verkauf duch amazon

die kunst einen drachen zu reiten michaela lückenotto coaching - Jun 25 2022

web die kunst einen drachen zu reiten michaela lückenotto coaching erfolg ist das ergebnis deines denkens bestsellerautor bernhard moestl zeigt wie zentral die macht der gedanken für unser dasein ist

die kunst einen drachen zu reiten erfolg ist das ergebnis - Nov 30 2022

web die kunst einen drachen zu reiten erfolg ist das ergebnis deines denkens 7 märz 2011 isbn kostenloser versand für alle bücher mit versand und verkauf duch amazon märz 2011 amazon de bücher

die kunst einen drachen zu reiten erfolg ist das ergebnis - May 05 2023

web doch wie man seine gedanken lenken und leiten kann um sein leben selbstbewusst und erfolgreich zu meistern zeigen

die 12 strategien aus der shaolin philosophie als symbol der gedankenmacht

die kunst einen drachen zu reiten erfolg ist das ergebnis deines - Aug 28 2022

web noté 5 retrouvez die kunst einen drachen zu reiten erfolg ist das ergebnis deines denkens et des millions de livres en stock sur amazon fr achetez neuf ou d occasion

die kunst einen drachen zu reiten von bernhard moestl buch - Feb 02 2023

web beschreibung bernhard moestl zeigt wie wir mit hilfe von 12 strategien für ein neues denken unseren inneren drachen beherrschen können er gibt praktische tipps wie es uns gelingt den drachen zu reiten denn erst dann werden wir wirklich unangreifbar weil der drache nun seine kraft für uns einsetzt und wir unser leben selbst bestimmen

die kunst einen drachen zu reiten erfolg ist das ergebnis - Jan 01 2023

web die kunst einen drachen zu reiten erfolg ist das ergebnis deines denkens hardcover 4 durchschnittliche bewertung 67 bewertungen bei goodreads

die kunst einen drachen zu reiten erfolg ist das ergebnis deines - Oct 10 2023

web die kunst einen drachen zu reiten erfolg ist das ergebnis deines denkens gebundene ausgabe 9 september 2009 von bernhard moestl autor 4 5 205 sternbewertungen alle formate und editionen anzeigen kindle 9 99 lies mit kostenfreier app gebundenes buch 5 92 8 gebraucht ab 5 92 1 sammlerstück ab

die kunst einen drachen zu reiten erfolg ist das erge - Jul 07 2023

web jan 1 2009 die kunst einen drachen zu reiten erfolg ist das ergebnis deines denkens bernhard moestl 4 03 69 ratings3 reviews besteed aandacht aan je gedachten ze zijn namelijk het begin van je daden van je succesvolle maar ook van je minder fortuinlijke alles wat je bent en wat je wordt ligt in jezelf besloten

die kunst einen drachen zu reiten erfolg ist das ergebnis - Mar 03 2023

web die kunst einen drachen zu reiten erfolg ist das ergebnis deines denkens hardcover 4 01 durchschnittliche bewertung 68 bewertungen bei goodreads

die kunst einen drachen zu reiten thalia - Aug 08 2023

web bernhard moestl zeigt wie wir mit hilfe von 12 strategien für ein neues denken unseren inneren drachen beherrschen können er gibt praktische tipps wie es uns gelingt den drachen zu reiten denn erst dann werden wir wirklich

amazon de kundenrezensionen die kunst einen drachen zu reiten erfolg - Sep 28 2022

web finde hilfreiche kundenrezensionen und rezensionsbewertungen für die kunst einen drachen zu reiten erfolg ist das ergebnis deines denkens auf amazon de lese ehrliche und unvoreingenommene rezensionen von unseren nutzern

die kunst einen drachen zu reiten erfolg ist das ergebnis deines - Apr 04 2023

web sie sind der anfang deiner taten doch wie man seine gedanken lenken und leiten kann um sein leben selbstbewusst und

erfolgreich zu meistern zeigen die 12 strategien aus der shaolin philosophie als symbol der gedankenmacht dient dabei der drache

die kunst einen drachen zu reiten erfolg ist das ergebnis - Jul 27 2022

web die kunst einen drachen zu reiten erfolg ist das ergebnis deines denkens moestl bernhard amazon fr livres
die kunst einen drachen zu reiten erfolg ist das - May 25 2022

web die kunst einen drachen zu reiten erfolg ist das ergebnis deines denkens moestl bernhard amazon es libros

die kunst einen drachen zu reiten erfolg ist das ergebnis - Oct 30 2022

web sie können die website auch ohne diese cookies nutzen durch klicken auf ich stimme zu erklären sie sich einverstanden dass wir cookies zu analyse zwecken setzen in unserer datenschutzerklärung finden sie weitere informationen dort können sie ihre cookie einstellungen jederzeit ändern ich stimme zu ich lehne ab

die kunst einen drachen zu reiten bücher de - Jun 06 2023

web die kunst einen drachen zu reiten erfolg ist das ergebnis deines denkens broschiertes buch 2 kundenbewertungen auf die merklste bewerten teilen produkterinnerung weitere ausgabe ebook epub bernhard moestl zeigt wie wir mit hilfe von 12 strategien für ein neues denken unseren inneren drachen beherrschen können

die kunst einen drachen zu reiten weltbild - Mar 23 2022

web bücher bei weltbild jetzt die kunst einen drachen zu reiten von bernhard moestl versandkostenfrei online kaufen bei weltbild ihrem bücher spezialisten erfolg ist das ergebnis deines denkens das buch ist ein von der philosophie der shaolin mönche inspirierter ratgeber für ein westliches laienpublikum

die kunst einen drachen zu reiten erfolg ist das ergeb buch - Feb 19 2022

web die kunst einen drachen zu reiten erfolg ist da buch zustand akzeptabel gewerblich eur 4 64 kostenloser versand die kunst einen drachen zu reiten von bernhard moestl 2011 taschenbuch privat eur 8 50 eur 1 60 versand sie haben so einen artikel gebührenfrei verkaufen

die kunst einen drachen zu reiten erfolg ist das ergebnis - Apr 23 2022

web compre online die kunst einen drachen zu reiten erfolg ist das ergebnis deines denkens de moestl bernhard na amazon frete grÁtis em milhares de produtos com o amazon prime encontre diversos livros em inglÊs e outras línguas com ótimos preços

kaplan step 1 lecture notes anatomy bing secure4 khronos - Oct 05 2022

web kaplan usmle step 1 lecture notes 2017 anatomy usmle prep 1st edition the only official kaplan lecture notes for usmle step 1 cover the comprehensive information

usmle step 1 lecture notes 2020 anatomy goodreads - Nov 25 2021

usmle step 1 lecture notes 2021 7 book set kaplan medical - Jul 02 2022

web usmle step 1 lecture notes 2021 anatomy the only official kaplan lecture notes for usmle step 1 cover the comprehensive information you need to ace the exam and

kaplan medical usmle step 1 anatomy lecture notes - Mar 30 2022

web kaplan usmle step 1 lecture notes 2015 anatomy book read reviews from world s largest community for readers kaplan usmle step 1 lecture notes 2015 anatomy

usmle step 1 lecture notes 2019 anatomy ebooks com - Sep 04 2022

web jan 1 2013 customers who viewed this item also viewed page 1 of 1 start over usmle step 1 lecture notes 2022 7 book set usmle prep kaplan medical 4 7 out of 5

kaplan usmle step 1 anatomy lecture notes 2022 - May 12 2023

web usmle step 1 prep go further than step 1 our step 1 prep helps you build a solid foundation of pre clinical knowledge and then take it to the next level with exam

usmle step 1 lecture notes 2021 anatomy pdf free download - Aug 23 2021

download pdf usmle step 1 lecture notes 2016 anatomy - Dec 07 2022

web the 7 volumes pathology pharmacology physiology biochemistry medical genetics immunology microbiology anatomy and behavioral science social sciences are

kaplan usmle step 1 lecture notes 2015 anatomy goodreads - Oct 25 2021

usmle step 1 prep courses kaplan test prep - Feb 09 2023

web kaplan step 1 lecture notes anatomy bing read this book using google play books app on your pc android ios devices download for offline reading highlight bookmark or take

usmle step 1 lecture free medical books facebook - Jan 28 2022

web jun 6 2021 product details below are the full technical specifications of usmle step 1 lecture notes 2021 anatomy pdf series kaplan test prep paperback 448 pages

download kaplan usmle step 1 anatomy pdf free - Aug 03 2022

web kaplan medical 2022 anatomy 388 pages the only official kaplan lecture notes for usmle step 1 cover the comprehensive information you need to ace the exam and

usmle step 1 lecture notes 2021 anatomy pdf - Mar 10 2023

web feb 7 2017 the only official kaplan lecture notes for usmle step 1 cover the comprehensive information you need to ace

the exam and match into the residency of

[usmle step 1 lecture notes 2021 anatomy google books](#) - Aug 15 2023

web dec 1 2020 the only official kaplan lecture notes for usmle step 1 cover the comprehensive information you need to ace the exam and match into the residency of

[kaplan lecture notes pdf 2023 for usmle step 1 free](#) - Jun 13 2023

web kaplan medical s usmle step 1 lecture notes 2021 7 book set offers in depth review with a focus on high yield topics in every discipline a comprehensive approach that will

kaplan usmle step 1 lecture notes 2017 anatomy nobel - Apr 30 2022

web the only official kaplan lecture notes for usmle step 1 cover the comprehensive information you need to ace the exam and match into the residency of your choice up to

[usmle step 1 lecture notes 2017 anatomy google books](#) - Nov 06 2022

web affordable digital textbook from redshelf usmle step 1 lecture notes 2021 by kaplan medical the only official kaplan lecture notes for usmle step 1 cover the

usmle step 1 lecture notes 2020 anatomy google books - Jul 14 2023

web jan 24 2020 the only official kaplan lecture notes for usmle step 1 cover the comprehensive information you need to ace the exam and match into the residency of

kaplan medical usmle step 1 anatomy lecture - Jan 08 2023

web the only official kaplan lecture notes for usmle step 1 cover the comprehensive information you need to ace the exam and match into the residency of your choice up to

usmle step 1 lecture notes anatomy kaplan medical - Dec 27 2021

[kaplan usmle step 1 lecture notes 2021 anatomy medical](#) - Apr 11 2023

web download pdf usmle step 1 lecture notes 2016 anatomy kaplan test prep visit to download this book the onlyofficialkaplan lecture notes for usmle step 1 available

[usmle step 1 lecture notes 2022 anatomy google books](#) - Feb 26 2022

web dec 1 2022 the only official kaplan lecture notes for usmle step 1 cover the comprehensive information you need to ace the exam and match into the residency of

[usmle step 1 lecture notes 2021 anatomy redshelf](#) - Jun 01 2022

web jan 1 2006 usmle step 1 lecture notes anatomy kaplan medical kaplan inc daugherty steven r gonzalez mayo alina reichert sonia thengampallil abraham

kaplan anatomy neuroanatomy embryology pdf free download - Sep 23 2021