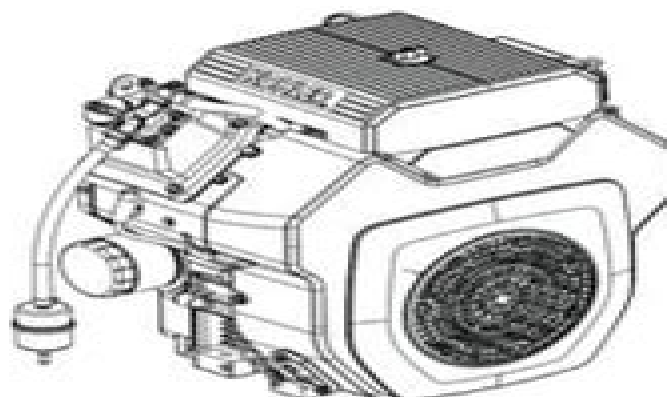


KOHLER Command.

CH18-CH25, CH620-CH730, CH740, CH750
Service Manual



IMPORTANT: Read all safety precautions and instructions carefully before operating equipment. Refer to operating instruction of equipment that this engine powers.
Ensure engine is stopped and level before performing any maintenance or service.

2	Safety
3	Maintenance
5	Specifications
14	Tools and Aids
17	Troubleshooting
21	Air Cleaner/Intake
22	Fuel System
28	Governor System
30	Lubrication System
32	Electrical System
48	Starter System
57	Clutch
59	Disassembly/Inspection and Service
72	Reassembly

Kohler Ch18 Service Manual

Clifford Lane



Kohler Ch18 Service Manual:

Recognizing the exaggeration ways to acquire this books **Kohler Ch18 Service Manual** is additionally useful. You have remained in right site to start getting this info. get the Kohler Ch18 Service Manual member that we offer here and check out the link.

You could purchase guide Kohler Ch18 Service Manual or get it as soon as feasible. You could speedily download this Kohler Ch18 Service Manual after getting deal. So, bearing in mind you require the book swiftly, you can straight acquire it. Its consequently categorically simple and therefore fats, isnt it? You have to favor to in this express

https://www.splashdogs.com/book/detail/default.aspx/la_reine_des_eacutepeacutes.pdf

Table of Contents Kohler Ch18 Service Manual

1. Understanding the eBook Kohler Ch18 Service Manual
 - The Rise of Digital Reading Kohler Ch18 Service Manual
 - Advantages of eBooks Over Traditional Books
2. Identifying Kohler Ch18 Service Manual
 - Exploring Different Genres
 - Considering Fiction vs. Non-Fiction
 - Determining Your Reading Goals
3. Choosing the Right eBook Platform
 - Popular eBook Platforms
 - Features to Look for in an Kohler Ch18 Service Manual
 - User-Friendly Interface
4. Exploring eBook Recommendations from Kohler Ch18 Service Manual
 - Personalized Recommendations
 - Kohler Ch18 Service Manual User Reviews and Ratings
 - Kohler Ch18 Service Manual and Bestseller Lists
5. Accessing Kohler Ch18 Service Manual Free and Paid eBooks

- Kohler Ch18 Service Manual Public Domain eBooks
- Kohler Ch18 Service Manual eBook Subscription Services
- Kohler Ch18 Service Manual Budget-Friendly Options
- 6. Navigating Kohler Ch18 Service Manual eBook Formats
 - ePub, PDF, MOBI, and More
 - Kohler Ch18 Service Manual Compatibility with Devices
 - Kohler Ch18 Service Manual Enhanced eBook Features
- 7. Enhancing Your Reading Experience
 - Adjustable Fonts and Text Sizes of Kohler Ch18 Service Manual
 - Highlighting and Note-Taking Kohler Ch18 Service Manual
 - Interactive Elements Kohler Ch18 Service Manual
- 8. Staying Engaged with Kohler Ch18 Service Manual
 - Joining Online Reading Communities
 - Participating in Virtual Book Clubs
 - Following Authors and Publishers Kohler Ch18 Service Manual
- 9. Balancing eBooks and Physical Books Kohler Ch18 Service Manual
 - Benefits of a Digital Library
 - Creating a Diverse Reading Collection Kohler Ch18 Service Manual
- 10. Overcoming Reading Challenges
 - Dealing with Digital Eye Strain
 - Minimizing Distractions
 - Managing Screen Time
- 11. Cultivating a Reading Routine Kohler Ch18 Service Manual
 - Setting Reading Goals Kohler Ch18 Service Manual
 - Carving Out Dedicated Reading Time
- 12. Sourcing Reliable Information of Kohler Ch18 Service Manual
 - Fact-Checking eBook Content of Kohler Ch18 Service Manual
 - Distinguishing Credible Sources
- 13. Promoting Lifelong Learning
 - Utilizing eBooks for Skill Development

- Exploring Educational eBooks
- 14. Embracing eBook Trends
 - Integration of Multimedia Elements
 - Interactive and Gamified eBooks

Kohler Ch18 Service Manual Introduction

In today's digital age, the availability of Kohler Ch18 Service Manual books and manuals for download has revolutionized the way we access information. Gone are the days of physically flipping through pages and carrying heavy textbooks or manuals. With just a few clicks, we can now access a wealth of knowledge from the comfort of our own homes or on the go. This article will explore the advantages of Kohler Ch18 Service Manual books and manuals for download, along with some popular platforms that offer these resources. One of the significant advantages of Kohler Ch18 Service Manual books and manuals for download is the cost-saving aspect. Traditional books and manuals can be costly, especially if you need to purchase several of them for educational or professional purposes. By accessing Kohler Ch18 Service Manual versions, you eliminate the need to spend money on physical copies. This not only saves you money but also reduces the environmental impact associated with book production and transportation. Furthermore, Kohler Ch18 Service Manual books and manuals for download are incredibly convenient. With just a computer or smartphone and an internet connection, you can access a vast library of resources on any subject imaginable. Whether you're a student looking for textbooks, a professional seeking industry-specific manuals, or someone interested in self-improvement, these digital resources provide an efficient and accessible means of acquiring knowledge. Moreover, PDF books and manuals offer a range of benefits compared to other digital formats. PDF files are designed to retain their formatting regardless of the device used to open them. This ensures that the content appears exactly as intended by the author, with no loss of formatting or missing graphics. Additionally, PDF files can be easily annotated, bookmarked, and searched for specific terms, making them highly practical for studying or referencing. When it comes to accessing Kohler Ch18 Service Manual books and manuals, several platforms offer an extensive collection of resources. One such platform is Project Gutenberg, a nonprofit organization that provides over 60,000 free eBooks. These books are primarily in the public domain, meaning they can be freely distributed and downloaded. Project Gutenberg offers a wide range of classic literature, making it an excellent resource for literature enthusiasts. Another popular platform for Kohler Ch18 Service Manual books and manuals is Open Library. Open Library is an initiative of the Internet Archive, a nonprofit organization dedicated to digitizing cultural artifacts and making them accessible to the public. Open Library hosts millions of books, including both public domain works and contemporary titles. It also allows users to borrow digital copies of certain books for a limited period, similar to a library lending system. Additionally, many universities and educational

institutions have their own digital libraries that provide free access to PDF books and manuals. These libraries often offer academic texts, research papers, and technical manuals, making them invaluable resources for students and researchers. Some notable examples include MIT OpenCourseWare, which offers free access to course materials from the Massachusetts Institute of Technology, and the Digital Public Library of America, which provides a vast collection of digitized books and historical documents. In conclusion, Kohler Ch18 Service Manual books and manuals for download have transformed the way we access information. They provide a cost-effective and convenient means of acquiring knowledge, offering the ability to access a vast library of resources at our fingertips. With platforms like Project Gutenberg, Open Library, and various digital libraries offered by educational institutions, we have access to an ever-expanding collection of books and manuals. Whether for educational, professional, or personal purposes, these digital resources serve as valuable tools for continuous learning and self-improvement. So why not take advantage of the vast world of Kohler Ch18 Service Manual books and manuals for download and embark on your journey of knowledge?

FAQs About Kohler Ch18 Service Manual Books

What is a Kohler Ch18 Service Manual PDF? A PDF (Portable Document Format) is a file format developed by Adobe that preserves the layout and formatting of a document, regardless of the software, hardware, or operating system used to view or print it. **How do I create a Kohler Ch18 Service Manual PDF?** There are several ways to create a PDF: Use software like Adobe Acrobat, Microsoft Word, or Google Docs, which often have built-in PDF creation tools. Print to PDF: Many applications and operating systems have a "Print to PDF" option that allows you to save a document as a PDF file instead of printing it on paper. Online converters: There are various online tools that can convert different file types to PDF. **How do I edit a Kohler Ch18 Service Manual PDF?** Editing a PDF can be done with software like Adobe Acrobat, which allows direct editing of text, images, and other elements within the PDF. Some free tools, like PDFescape or Smallpdf, also offer basic editing capabilities. **How do I convert a Kohler Ch18 Service Manual PDF to another file format?** There are multiple ways to convert a PDF to another format: Use online converters like Smallpdf, Zamzar, or Adobe Acrobats export feature to convert PDFs to formats like Word, Excel, JPEG, etc. Software like Adobe Acrobat, Microsoft Word, or other PDF editors may have options to export or save PDFs in different formats. **How do I password-protect a Kohler Ch18 Service Manual PDF?** Most PDF editing software allows you to add password protection. In Adobe Acrobat, for instance, you can go to "File" -> "Properties" -> "Security" to set a password to restrict access or editing capabilities. Are there any free alternatives to Adobe Acrobat for working with PDFs? Yes, there are many free alternatives for working with PDFs, such as: LibreOffice: Offers PDF editing features. PDFsam: Allows splitting, merging, and editing PDFs. Foxit Reader: Provides basic

PDF viewing and editing capabilities. How do I compress a PDF file? You can use online tools like Smallpdf, ILovePDF, or desktop software like Adobe Acrobat to compress PDF files without significant quality loss. Compression reduces the file size, making it easier to share and download. Can I fill out forms in a PDF file? Yes, most PDF viewers/editors like Adobe Acrobat, Preview (on Mac), or various online tools allow you to fill out forms in PDF files by selecting text fields and entering information. Are there any restrictions when working with PDFs? Some PDFs might have restrictions set by their creator, such as password protection, editing restrictions, or print restrictions. Breaking these restrictions might require specific software or tools, which may or may not be legal depending on the circumstances and local laws.

Find Kohler Ch18 Service Manual :

~~la reine des eacutepeacutes~~

la protection sociale un investissement pour notre avenir

laatste boek aspe

~~la priegravere de leacutecrivain~~

~~la valise aux recireves~~

la structuration du marcheacute europeacuteen de larmement

~~la source noire documents franceedilais~~

la reacutegion de twenty valley

la mort de dodolon le majestueux les chroniques leonhartiennes

~~la table des braves le lion des shanganna~~

~~la photo numeacuterique pour les nuls~~

la nuit de leacutetriangleur heure noire rouge

la voix laquo que saisje raquo ndeg

la promesse du pire

la mystique de la croissance comment sen liberer

Kohler Ch18 Service Manual :

the walking whales from land to water in eight million years - Oct 05 2022

web nov 13 2014 the walking whales from land to water in eight million years hardcover nov 13 2014 by j g m hans

thewissen author 4 5 113 ratings see all

the walking whales from land to water in eight million years - Jul 02 2022

web journal of vertebrate paleontology publishes on all aspects of vertebrate paleontology such as vertebrate origins evolution and functional morphology

[the walking whales from land to water in eight million years](#) - Apr 11 2023

web nov 1 2014 request pdf the walking whales from land to water in eight million years a first person account of the discoveries that brought to light the early fossil

[the walking whales from land to water in eight million years](#) - Nov 06 2022

web paperback 46 37 18 new from 44 79 hans thewissen a leading researcher in the field of whale paleontology and anatomy gives a sweeping first person account of the

[the walking whales from land to water in eight](#) - May 12 2023

web nov 13 2014 the walking whales from land to water in eight million years first edition by j g m hans thewissen author 4 6 4 6 out of 5 stars 120 ratings

[the walking whales from land to water in eight million years](#) - Mar 10 2023

web the walking whales from land to water in eight million years author j g m thewissen author summary hans thewissen a leading researcher in the field of

the walking whales from land to water in eight million - Aug 15 2023

web the walking whales from land to water in eight million years j g m thewissen with illustrations by jacqueline dillard pages cm includes bibliographical references and

the walking whales from land to water in eight - Jun 13 2023

web nov 13 2014 hans thewissen a leading researcher in the field of whale paleontology and anatomy gives a sweeping first person account of the discoveries that brought to light

the walking whales from land to water in eight million years - Mar 30 2022

[the walking whales from land to water in eight million years](#) - Feb 09 2023

web 24 november 2020 the walking whales from land to water in eight million years j g m thewissen university of california press 245 pp paperback

[the walking whales from land to water in eight million years](#) - Jun 01 2022

web nov 4 2014 buy the walking whales from land to water in eight million years by thewissen j g m hans isbn 9780520277069 from amazon s book store

the walking whales from land to water in eight million years - Aug 03 2022

web the walking whales from land to water in eight million years j g m hans thewissen univ of california 34 95 256p isbn 978 0 520 27706 9

the walking whales from land to water in eight million years - Jan 08 2023

web apr 29 2019 buy the walking whales from land to water in eight million years on amazon com free shipping on qualified orders

the walking whales from land to water in eight million years - Nov 25 2021

the walking whales from land to water in eight million years - Jan 28 2022

the walking whales from land to water in eight million years - Sep 16 2023

web the walking whales from land to water in eight million years on jstor journals and books journals and books j g m hans thewissen with illustrations by jacqueline dillard copyright date 2014 edition 1 published by university of california press pages 248

the walking whales from land to water in eight - Dec 27 2021

the walking whales geokniga - Jul 14 2023

web nov 13 2014 j g m thewissen univ of california press nov 13 2014 science 245 pages hans thewissen a leading researcher in the field of whale paleontology and

the walking whales from land to water in eight million years - Feb 26 2022

the walking whales from land to water in eight million years - Apr 30 2022

web kindle edition by j g m hans thewissen author format kindle edition 4 5 113 ratings see all formats and editions hans thewissen a leading researcher in the field of whale

the walking whales from land to water in eight - Sep 04 2022

web the walking whales from land to water in eight million years authors j g m thewissen author jacqueline dillard illustrator summary a first person

the walking whales from land to water in eight million years - Dec 07 2022

web sep 11 2001 the walking whales from land to water in eight million years special offer by jgm thewissen author jacqueline dillard illustrator 245 pages 67

dance drama easy report card comments - Jan 13 2023

web dance drama english french geography history math music other languages philosophy phys ed health physics next last report card comment ideas download a copy of our report card comments that you can print and use as a guide for completing your report card comments

next steps for report card comments new ontario math curriculum tpt - Feb 02 2022

web this product contains 25 pages of comments to use as next steps or as feedback to students all of the comments are sorted by overall expectations and strands then sorted by topic there are even next steps for the social emotional strand i will be commenting on only social emotional learning

7 drama report card comments ideas pinterest - Oct 30 2021

web jun 20 2016 explore kim deamel s board drama report card comments on pinterest see more ideas about report card comments report card teaching pinterest today watch shop explore when the auto complete results are available use the up and down arrows to review and enter to select touch device users can explore by touch or with

136 top drama report comments teaching resources curated for you twinkl - May 05 2022

web explore more than 137 drama report comments resources for teachers parents and pupils as well as related resources on report card comments ontario instant access to inspirational lesson plans schemes of work assessment interactive activities resource packs powerpoints teaching ideas and more at twinkl

135 top drama report comments teaching resources curated for you twinkl - Jun 06 2022

web explore more than 135 drama report comments resources for teachers parents and pupils help instantly access twinkl s printable and digital k 12 teaching resources including worksheets ebooks games powerpoints google slides and more [some general next steps for use on the ontario report card](#) - Jul 19 2023

web general next steps comments to use for any of the following science social studies history geography next step first name is encouraged to take on more of a leadership role when working in groups next step first name is encouraged to take the initiative to go beyond assigned tasks

[drama report card comments next steps edbcentralen com](#) - Jan 01 2022

web art report card comments do you struggle with what to write in reported comments for art i have edited a list of report card comments with artist to help how whole out generate art using me art lessons next school art art camp elementary art k 1st grade 2nd note 3rd order 4th class 5th grade ms art

ontario drama report card comment builder grades 4 to 8 - Aug 08 2022

web description all ontario drama teachers there is no need to stress about report cards anymore create exemplary report card comments for your grades 4 8 drama classes using this 10 page document it aligns perfectly with *results for report cards comments next steps tpt* - Dec 12 2022

web this product can be used for next step comments for all reporting periods progress reports term 1 term 2 in total there are 81 comments neatly organized under language and math headings next steps comments reflect the various levels needs of students from those who need more guidance and suggestions to be successful t

drama report card comments next steps help discoveram - Nov 30 2021

web jun 10 2023 drama report card comments next steps browse the drama report card comments next steps join that we have the finances for here and check out the link you might not be confused to enjoy every book collections drama report card comments next steps that we will surely offer in the trajectory of them is this drama report card

elementary progress report card bank ontario english catholic - Aug 20 2023

web for example the progress report card provides these indicators progressing with difficulty progressing well progressing very well comments on the progress report card will provide parents with personalized clear and meaningful feedback teachers will use the following three guiding questions to frame their comments for parents

drama report card comments pinterest - Apr 04 2022

web jun 20 2016 explore kim deamel s board drama report card comments on pinterest see more ideas about report card comments report card teaching

325 amazing report card comments and remarks to save your time - Sep 09 2022

web apr 4 2022 these report card comments will help you to save your time help parents understand the feedback in a better way achievement and improvement general comments if continues to put out the effort he has demonstrated in the last two reporting periods he will benefit greatly from his education

results for drama report comments next steps tpt - May 17 2023

web report card comments learning skills grade 3professionally written grade 3 report card comments and learning skills for both term 1 and term 2 each strand includes comments for grade levels a d levels 4 1 every comment includes next steps *the arts drama ontario english catholic teachers* - Feb 14 2023

web the arts drama grades 1 3 creating and presenting apply the creative process to dramatic play and process drama using the elements and conventions of drama to communicate feelings ideas and stories name was able to create plan and put on a performance of specific task such as goldilocks and the three bears name is

report card comments chase march official site report card - Mar 03 2022

web each comment should reflect what your student possess accomplished in the reporting period what areas the may will had trouble in plus next steps used improvement it can feel like a huge undertaking when first starting up come up

51 powerful next steps report card comments for teachers - Apr 16 2023

web mar 22 2023 next steps report card comments following is a collection of next steps report card comments that can be

used for all subjects 1 practicing more at home with insert any skill or strategy will help greatly 2 needs to utilize a behavior chart daily or weekly 3

[results for drama report card comments tpt](#) - Jun 18 2023

web this product contains the following helpful resources the arts drama dance music and visual arts report card rubric amp next steps report card qualifiers chartnote all rubrics contain levelled sample comments level 1 level 2 level 3 level 4 to help you easily match your comments to the

223 copy and paste final report card comments helpful - Jul 07 2022

web aug 28 2023 hey teacher is it report writing time again hopefully these comments for student report cards will come in helpful copy and paste these report card comments for your students it ll save you time and heartache contents show read below for my full list of report card comment ideas positive comments

[dance drama music report comments bank new](#) - Sep 21 2023

web comments drama and improv next steps 1 n s next step is to stay in character throughout a scene 2 n s next step is to gain the confidence to use the dramatic techniques of vocal tone body language and facial expression when working in role 3 n s next step is to create characters with more dialogue thereby allowing m to practise

[ready to use comment bank for myp report cards toddle](#) - Oct 10 2022

web structuring a comment we know it can be daunting to come up with an original comment for each of your students to make the task more manageable and to ensure you are covering everything you intended to we recommend that you give a working structure to each of your comments

ontario drama report card comments teaching resources tpt - Nov 11 2022

web this product contains the following helpful resources the arts drama dance music and visual arts report card rubric amp next steps report card qualifiers chartnote all rubrics contain levelled sample comments level 1 level 2 level 3 level 4 to help you easily match your comments to the

[sample comments elementary report card writing support materials](#) - Mar 15 2023

web sample comments for english language learners document tips for writing effective comments a framework for writing comments on progress reports and report cards from misa sample

otolaryngology arab board exam questions - Mar 11 2023

web ear nose and throat ent mcqs prometric exam mcqs arab board otolaryngology exam addtax de arab board exam anesthesia 2006 2014 internet archive january 12th 2010 otolaryngology head and neck surgery arab board exam i oman center ent exam video series american academy of otolaryngology april 30th

[board mcq ent orientation sutd edu](#) - Feb 10 2023

web board mcq ent board mcq ent practice mcq s in otolaryngology board exam student otolaryngology board reviews
cmelist prometric pearson mcqs in e n t gulf countries ent mcq arab board pdf storage googleapis com medical board reviews
amp mcq question banks boardvitals mcqs in otolaryngology download ebook

sab overview - Nov 07 2022

web apr 1 2022 the family medicine mcq examination fm examination mcq is a postgraduate examination for the residents
and trainees to be assessed for exit certification completing the fm examination mcq is one of the requirements for exit
certification and for registration as determined by the family physicians accreditation board fpab

arab board internal medicine mcq pdf uniport edu - May 01 2022

web arab board internal medicine mcq 2 10 downloaded from uniport edu ng on november 14 2023 by guest introductory
plastic surgery and surgical science courses the book comprises five sections covering the fundamental principles of plastic
surgery cancer burns and trauma paediatric plastic surgery and aesthetic surgery and covers

ear nose throat ent solved mcqs with pdf download - Sep 17 2023

web tags question and answers in ear nose throat ent ear nose throat ent multiple choice questions and answers ear nose
throat ent important mcqs solved mcqs for ear nose throat ent ear nose throat ent mcqs with answers pdf download

quiz g chee ent specialist clinic singapore - Apr 12 2023

web quiz i have included a short quiz for browsers to answer just for fun this will test your knowledge on common ear nose
throat conditions answers are found at the bottom of the page and new questions will be updated in the first week of the even
months of the year

ent mcq arab board web mei - Jul 15 2023

web ear nose and throat ent mcqs prometric exam questions drtbalu s otolaryngology online ent mcq arab board downloaded
from web mei edu by guest abbey cantrell medical board reviews mcq question banks boardvitals ent mcq arab boardthe
arab board of health specializations graduates continuous teaching board news

ent mcq arab board - Jul 03 2022

web download ent mcq arab board ent mcq arab board nissan download owners manual principles of 6th medicinal edition
foye chemistry question hindi ssc in gd

ent specialist singapore ent doctor clinic in mount elizabeth - Sep 05 2022

web monday friday 9am to 5 30pm saturday 8am to 1pm sun public holiday closed our spacious singapore ent clinic is fitted
with technologically advanced ent equipment to provide patients with top quality ent care comprehensive treatments our
friendly nurses and patient care assistants are committed to your well being from the moment

ent mcq arab board orientation sutd edu - Jun 02 2022

web board omsb sch qatar board mcq ent pdf download ent mcq arab board read and download ent mcq arab board free ebooks in pdf format bput semester question paper branz house building guide briggs stratton smallest mcq arab board pdf ent mcq arab board pdf free download here iraq cabms org uploads exam note3 pdf the scientific

sab specialist examination moh - May 13 2023

web jan 28 2023 examination dates anaesthesiology exit examination mcq 28 january 2023 general surgery exit examination mcq 1 july 2023 emergency medicine exit examination mcq 8 july 2023 psychiatry exit examination mcq 12 aug 2023 *ent mcq arab board orientation sutd edu* - Oct 06 2022

web pdf file ent mcq arab board prometric exam mcqs for united arab emirates qatar information contained and transmitted by this e mail is proprietary to gulfexammcq and is intended for ent mcq arab board free ent mcq arab board pdf book download and read online pdf book file ent mcq arab board easily for everyone and every device

how to study for final arab board ent written exam books and mcqs - Aug 16 2023

web arab board ent written examhow to studybooksmcqsdr ruaa luayiraq

ent mcq arab board help environment harvard edu - Mar 31 2022

web present ent mcq arab board and numerous book collections from fictions to scientific research in any way accompanied by them is this ent mcq arab board that can be your partner common european framework of reference for languages learning teaching assessment council of europe 2020 05 05 the cefr companion volume broadens the ear nose and throat ent mcqs prometric exam questions - Jun 14 2023

web 0 79 59 ear nose and throat ent mcqs prometric exam questions mcqs to prepare for dha exam dubai dhcc exam dubai haad exam abu dhabi moh exam uae scfhs exam smle exam saudi arabia omsb oman qchp qatar exam nhra exam bahrain description

otolaryngologyarab boardexamquestion s - Aug 04 2022

web ent head and neck surgery fastprint publishing ent board prep is a high yield review that is an ideal study guide for the ent in service and board exams while other review guides are low yield or more of a textbook this is quick concise and easy to use providing everything you need to know in a easy to digest format ent board prep offers

ent mcq arab board pdf pdf signups myamcat - Dec 08 2022

web introduction ent mcq arab board pdf pdf mcqs for ent stuart winter 2019 08 29 mcqs for ent specialist revision guide for the frcs is a key resource for candidates preparing to sit the frcs orl hns it contains over 300 single best answer questions and over 70 extended matching questions to help candidates prepare for all aspects of

ent mcq arab board uniport edu ng - Feb 27 2022

web sep 8 2023 invest little mature to retrieve this on line proclamation ent mcq arab board as competently as review them

wherever you are now ent ricardo persaud 2016 12 01 this book contains 400 emi mcq questions which collectively reflect the breadth of important topics in otorhinolaryngology head and neck surgery the emis are presented

ent training a singapore perspective ent audiology news - Jan 09 2023

web jan 1 2014 ent residents take the american board of otolaryngology in service examination ote this is a gruelling examination comprising 300 mcqs answered in six hours all first to fifth year residents take the same paper

ent guidebook arab board pdf otorhinolaryngology scribd - Oct 18 2023

web ent guidebook arab board free download as pdf file pdf text file txt or read online for free this is the complete guidance for the otolaryngology residency programe in the arab board ent guidebook arab board