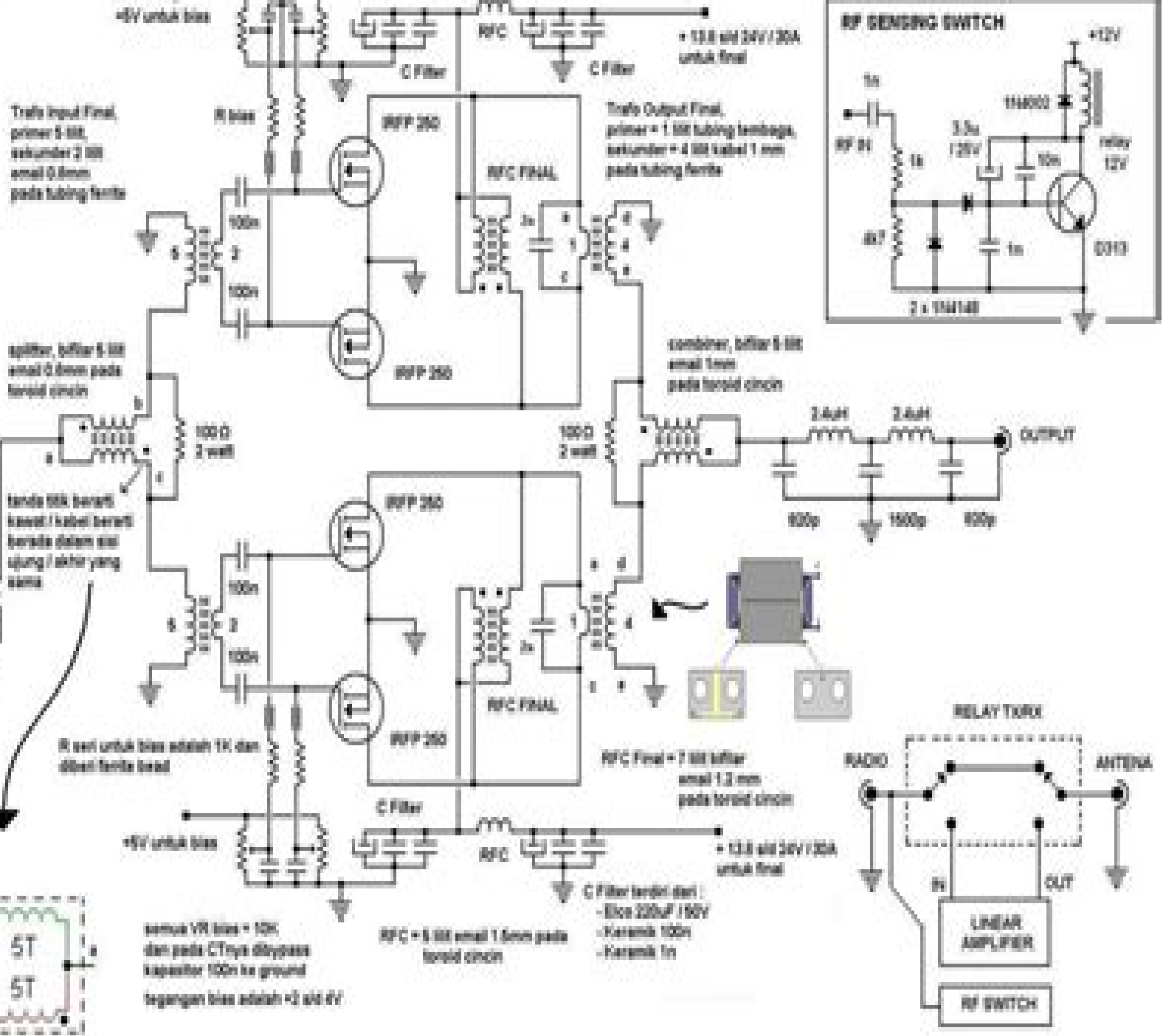


# RF AMPLIFIER MOSFET UNTUK 80m Band by YC3TKM - juhar combiner version 1



Trafo Input Final, primer 5-8T, sekunder 2-8T enamel 0.8mm pada tubing ferrite

Trafo Output Final, primer = 1-8T tubing ferrite, sekunder = 4-8T kabel 1 mm pada tubing ferrite

splitter, bifilar 5-8T enamel 0.8mm pada toroid core

combiner, bifilar 5-8T enamel 1mm pada toroid core

matching coil, primer 2-8T, sekunder 1.5-8T enamel 2.8mm pada tubing ferrite

tanda titik berarti kawat / kabel berarti berada dalam satu ujung / akhir yang sama

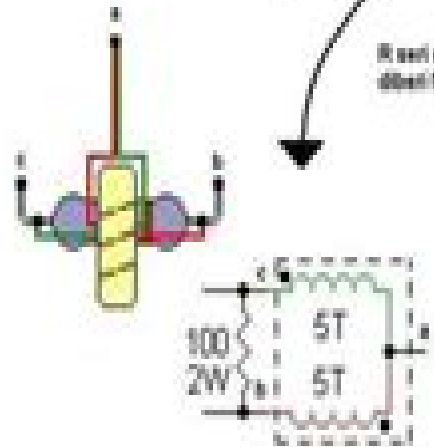
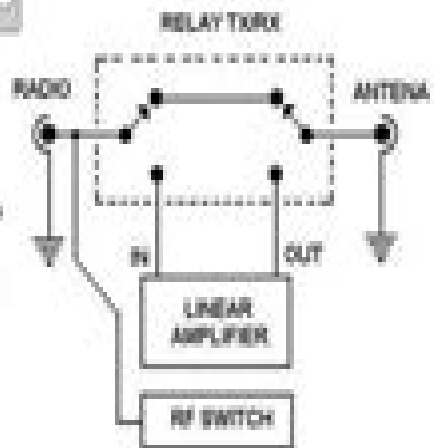
R bias untuk bias adalah 1K dan diberi ferrite bead

RF C Final = 7-8T bifilar enamel 1.2 mm pada toroid core

semua VR bias = 10K dan pada CTnya dipasang kapasitor 100n ke ground tegangan bias adalah +3 volt +/-

RF C = 5-8T enamel 1.8mm pada toroid core

C Filter terdiri dari :  
- Elco 220uF / 50V  
- Karamir 100n  
- Karamir 1n



# National Nc188 Hf Receiver Schematic User Guide

**Huangqi Zhang**



## **National Nc188 Hf Receiver Schematic User Guide:**

This is likewise one of the factors by obtaining the soft documents of this **National Nc188 Hf Receiver Schematic User Guide** by online. You might not require more become old to spend to go to the books creation as capably as search for them. In some cases, you likewise realize not discover the notice National Nc188 Hf Receiver Schematic User Guide that you are looking for. It will totally squander the time.

However below, subsequently you visit this web page, it will be as a result enormously easy to acquire as skillfully as download guide National Nc188 Hf Receiver Schematic User Guide

It will not say you will many era as we run by before. You can accomplish it while comport yourself something else at house and even in your workplace. therefore easy! So, are you question? Just exercise just what we have the funds for under as capably as review **National Nc188 Hf Receiver Schematic User Guide** what you like to read!

<https://www.splashdogs.com/data/publication/HomePages/My%20Unisa%20Previous%20Question%20Papers%20Ecs1501.pdf>

## **Table of Contents National Nc188 Hf Receiver Schematic User Guide**

1. Understanding the eBook National Nc188 Hf Receiver Schematic User Guide
  - The Rise of Digital Reading National Nc188 Hf Receiver Schematic User Guide
  - Advantages of eBooks Over Traditional Books
2. Identifying National Nc188 Hf Receiver Schematic User Guide
  - Exploring Different Genres
  - Considering Fiction vs. Non-Fiction
  - Determining Your Reading Goals
3. Choosing the Right eBook Platform
  - Popular eBook Platforms
  - Features to Look for in an National Nc188 Hf Receiver Schematic User Guide
  - User-Friendly Interface

4. Exploring eBook Recommendations from National Nc188 Hf Receiver Schematic User Guide
  - Personalized Recommendations
  - National Nc188 Hf Receiver Schematic User Guide User Reviews and Ratings
  - National Nc188 Hf Receiver Schematic User Guide and Bestseller Lists
5. Accessing National Nc188 Hf Receiver Schematic User Guide Free and Paid eBooks
  - National Nc188 Hf Receiver Schematic User Guide Public Domain eBooks
  - National Nc188 Hf Receiver Schematic User Guide eBook Subscription Services
  - National Nc188 Hf Receiver Schematic User Guide Budget-Friendly Options
6. Navigating National Nc188 Hf Receiver Schematic User Guide eBook Formats
  - ePub, PDF, MOBI, and More
  - National Nc188 Hf Receiver Schematic User Guide Compatibility with Devices
  - National Nc188 Hf Receiver Schematic User Guide Enhanced eBook Features
7. Enhancing Your Reading Experience
  - Adjustable Fonts and Text Sizes of National Nc188 Hf Receiver Schematic User Guide
  - Highlighting and Note-Taking National Nc188 Hf Receiver Schematic User Guide
  - Interactive Elements National Nc188 Hf Receiver Schematic User Guide
8. Staying Engaged with National Nc188 Hf Receiver Schematic User Guide
  - Joining Online Reading Communities
  - Participating in Virtual Book Clubs
  - Following Authors and Publishers National Nc188 Hf Receiver Schematic User Guide
9. Balancing eBooks and Physical Books National Nc188 Hf Receiver Schematic User Guide
  - Benefits of a Digital Library
  - Creating a Diverse Reading Collection National Nc188 Hf Receiver Schematic User Guide
10. Overcoming Reading Challenges
  - Dealing with Digital Eye Strain
  - Minimizing Distractions
  - Managing Screen Time
11. Cultivating a Reading Routine National Nc188 Hf Receiver Schematic User Guide
  - Setting Reading Goals National Nc188 Hf Receiver Schematic User Guide
  - Carving Out Dedicated Reading Time

12. Sourcing Reliable Information of National Nc188 Hf Receiver Schematic User Guide
  - Fact-Checking eBook Content of National Nc188 Hf Receiver Schematic User Guide
  - Distinguishing Credible Sources
13. Promoting Lifelong Learning
  - Utilizing eBooks for Skill Development
  - Exploring Educational eBooks
14. Embracing eBook Trends
  - Integration of Multimedia Elements
  - Interactive and Gamified eBooks

### **National Nc188 Hf Receiver Schematic User Guide Introduction**

In the digital age, access to information has become easier than ever before. The ability to download National Nc188 Hf Receiver Schematic User Guide has revolutionized the way we consume written content. Whether you are a student looking for course material, an avid reader searching for your next favorite book, or a professional seeking research papers, the option to download National Nc188 Hf Receiver Schematic User Guide has opened up a world of possibilities. Downloading National Nc188 Hf Receiver Schematic User Guide provides numerous advantages over physical copies of books and documents. Firstly, it is incredibly convenient. Gone are the days of carrying around heavy textbooks or bulky folders filled with papers. With the click of a button, you can gain immediate access to valuable resources on any device. This convenience allows for efficient studying, researching, and reading on the go. Moreover, the cost-effective nature of downloading National Nc188 Hf Receiver Schematic User Guide has democratized knowledge. Traditional books and academic journals can be expensive, making it difficult for individuals with limited financial resources to access information. By offering free PDF downloads, publishers and authors are enabling a wider audience to benefit from their work. This inclusivity promotes equal opportunities for learning and personal growth. There are numerous websites and platforms where individuals can download National Nc188 Hf Receiver Schematic User Guide. These websites range from academic databases offering research papers and journals to online libraries with an expansive collection of books from various genres. Many authors and publishers also upload their work to specific websites, granting readers access to their content without any charge. These platforms not only provide access to existing literature but also serve as an excellent platform for undiscovered authors to share their work with the world. However, it is essential to be cautious while downloading National Nc188 Hf Receiver Schematic User Guide. Some websites may offer pirated or illegally obtained copies of copyrighted material. Engaging in such activities not only violates copyright laws but also undermines the efforts of authors, publishers, and researchers. To ensure ethical

downloading, it is advisable to utilize reputable websites that prioritize the legal distribution of content. When downloading National Nc188 Hf Receiver Schematic User Guide, users should also consider the potential security risks associated with online platforms. Malicious actors may exploit vulnerabilities in unprotected websites to distribute malware or steal personal information. To protect themselves, individuals should ensure their devices have reliable antivirus software installed and validate the legitimacy of the websites they are downloading from. In conclusion, the ability to download National Nc188 Hf Receiver Schematic User Guide has transformed the way we access information. With the convenience, cost-effectiveness, and accessibility it offers, free PDF downloads have become a popular choice for students, researchers, and book lovers worldwide. However, it is crucial to engage in ethical downloading practices and prioritize personal security when utilizing online platforms. By doing so, individuals can make the most of the vast array of free PDF resources available and embark on a journey of continuous learning and intellectual growth.

### **FAQs About National Nc188 Hf Receiver Schematic User Guide Books**

How do I know which eBook platform is the best for me? Finding the best eBook platform depends on your reading preferences and device compatibility. Research different platforms, read user reviews, and explore their features before making a choice. Are free eBooks of good quality? Yes, many reputable platforms offer high-quality free eBooks, including classics and public domain works. However, make sure to verify the source to ensure the eBook credibility. Can I read eBooks without an eReader? Absolutely! Most eBook platforms offer web-based readers or mobile apps that allow you to read eBooks on your computer, tablet, or smartphone. How do I avoid digital eye strain while reading eBooks? To prevent digital eye strain, take regular breaks, adjust the font size and background color, and ensure proper lighting while reading eBooks. What the advantage of interactive eBooks? Interactive eBooks incorporate multimedia elements, quizzes, and activities, enhancing the reader engagement and providing a more immersive learning experience. National Nc188 Hf Receiver Schematic User Guide is one of the best book in our library for free trial. We provide copy of National Nc188 Hf Receiver Schematic User Guide in digital format, so the resources that you find are reliable. There are also many Ebooks of related with National Nc188 Hf Receiver Schematic User Guide. Where to download National Nc188 Hf Receiver Schematic User Guide online for free? Are you looking for National Nc188 Hf Receiver Schematic User Guide PDF? This is definitely going to save you time and cash in something you should think about.

**Find National Nc188 Hf Receiver Schematic User Guide :**

[my unisa previous question papers ecs1501](#)

[my favorite family haggadah](#)

**my favourite game essay for kids**

**my sexual awakening at 70 and what led me here**

*my secret life secrets book english edition*

[mysterious miss channing ranford series book english edition](#)

[mystique et politique](#)

[my favourite animal dog essay](#)

*n14 5 matsd sp1 eng tz1 xx*

[mystery book report idea](#)

[my personality paper](#)

**my sisters keeper**

*mythology guide answers*

**mysql reference guide documentation**

~~n1 2013 exam paper~~

**National Nc188 Hf Receiver Schematic User Guide :**

Digital Signal Processing Solution 2e li tan Instructor's Guide to Accompany. Digital Signal Processing: Fundamentals and Applications. Li Tan. Jean Jiang. Chapter 2. 2. 2 1500 2 1000. 2 1500 2 1500. 5 cos ... Solutions Digital Signal Processing 2e Li Tan | PDF Feb 21, 2017 — Digital Signal Processing: Fundamentals and Applications. Li Tan Jean Jiang Instructors Guide to Accompany to Digital Signal Processing, ... 340671291-Solutions-Digital-Signal-Processing-2e-Li-Tan. ... Instructor's Guide to Accompany to Digital Signal Processing, Fundamentals and Applications, Second Edition 6 () Yff kHz 0.5 0.5 3 3 Aliasing noise c. The ... Digital signal processing second edition solution manual ... Sep 2, 2022 — Digital signal processing second edition solution manual by Li Tan and Jean Jiang. Digital Signal Processing Solution Manual Author: Jean Jiang, Li Tan. 15 solutions available. Frequently asked questions ... How is Chegg Study better than a printed Digital Signal Processing student ... Fundamentals and Applications (3rd Ed., Li Tan, Jean Jiang) Mar 15, 2020 — Solution Manual Digital Signal Processing : Fundamentals and Applications (3rd Ed., Li Tan, Jean Jiang). 40 views. Skip to first unread ... [Li Tan, Jean Jiang] Digital Signal Processing Fu(BookZZ. ... Sketch the spectrum for the sampled signal from 0 to 20 kHz. 2.2 Signal



Reconstruction 21. Solution: a. Since the analog signal is sinusoid with a peak value of ... Digital Signal Processing: Fundamentals and Applications Li Tan Ph.D. Electrical Engineering University of New Mexico and 1 more. Li ... Most books I need to consult a solution manual or chegg for process and ... An Introduction to Behavioral Psychology - Rivier Academics An Introduction to Behavioral Psychology. Behavioral psychology, or behaviorism, is a theory suggesting that environment shapes human behavior. In a most basic ... Introduction to Behavior: An Evolutionary Perspective ... An up-to-date approach to behavior analysis within the framework of evolutionary theory. Introduction to Behavior is a contemporary textbook for students in ... An Introduction to Behavior Analysis The book offers readers sound analyses of Pavlovian and operant learning, reinforcement and punishment, motivation and stimulus control, language and rule- ... An Introduction to Behavior Analysis An Introduction to Behavior Analysis delivers an engaging and comprehensive introduction to the concepts and applications for graduate students of behavior ... An Introduction to Behavior-Centered Design In this self-paced course, you will explore a step-by-step approach and principles for designing behavior change solutions to environmental challenges. Introduction to Psychology/Behavior Analysis The focus is on observable, measurable behavior and the role of the environment in establishing and maintaining behaviors. Introduction to Behavior-Based Design | by Jason Hreha What you need to know — in 10 mins · Time · Money · Cognitively demanding (mental effort) · Physically demanding (physical effort) · Social ... The ABC's of Behavior Analysis: An Introduction to ... The ABCs of Behavior Analysis is not a psychology book. It is truly a behavior analysis book. It is about how behavior works and its emphasis is on behavior ... Introduction to Behavior An up-to-date approach to behavior analysis within the framework of evolutionary theory. Introduction to Behavior is a contemporary textbook for students in ... Business Ethics: A Textbook with Cases ... BUSINESS ETHICS, Eighth Edition guides you through the process of thinking deeply about important moral issues that frequently arise in business situations ... Business Ethics - William H. Shaw - AbeBooks 9781305018471: Business Ethics: A Textbook with Cases 8th edition by Shaw, William H. Softcover. See all 220 offers for this title from US\$ 4.17. Top Search ... CourseMate for Shaw's Business Ethics: A ... Amazon.com: CourseMate for Shaw's Business Ethics: A Textbook with Cases, 8th Edition : Software. Business Ethics by William H Shaw | ISBN: 9781133943075 Buy Business Ethics 8th edition by William H Shaw (ISBN: 9781133943075) online at Alibris. Our marketplace offers millions of titles from sellers worldwide. Business Ethics ( 8th Edition ) by William H. Shaw Paperback. New. This is New Softcover International Edition. Sometimes Book may have different ISBN and Book cover. Book Content is same as US Edition. Business Ethics: A Textbook with Cases - Shaw, William H. Shaw, William H. ... BUSINESS ETHICS, Eighth Edition guides you through the process of thinking deeply about important moral issues that frequently arise in ... Business Ethics: A Textbook with Cases 8th edition ... Business Ethics: A Textbook with Cases 8th edition by Shaw, William H. (2013) Paperback. William H. Shaw. 3.00. 1 rating0 reviews. Want to read. Business Ethics: A Textbook with Cases by Shaw, William ... BUSINESS ETHICS, Eighth Edition guides you through the process of thinking

deeply about important moral issues that frequently arise in business situations, and ... William H Shaw | Get Textbooks  
Business Ethics(9th Edition) A Textbook with Cases (MindTap Course List) by William H. Shaw Paperback, 480 Pages,  
Published 2016 by Wadsworth Publishing