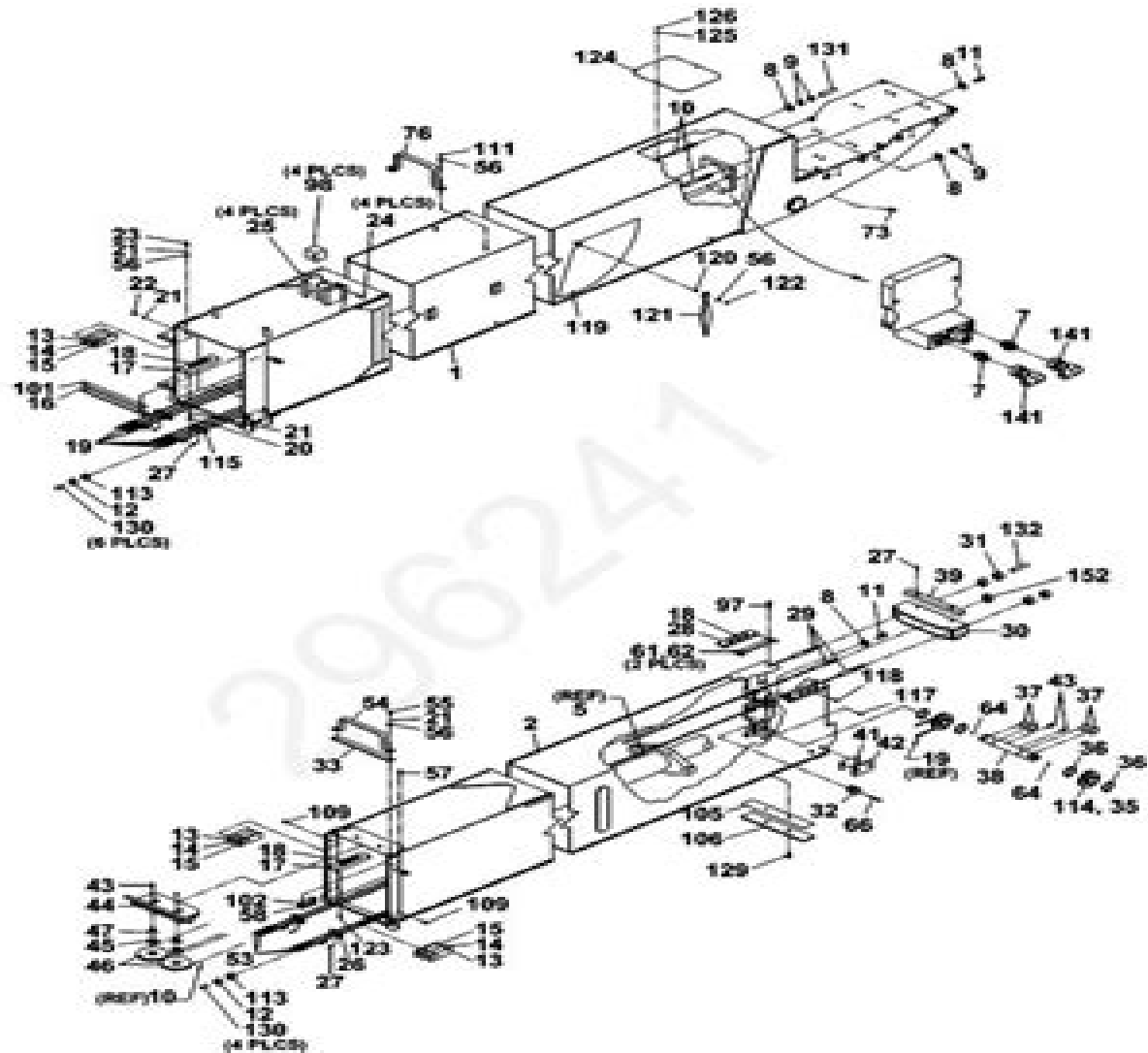


Manitowoc Cranes



80015865

(SHEET 1 OF 2)

Page 2

National Crane Manual Parts 500e

H Kauffman



National Crane Manual Parts 500e:

Machinery Fred Herbert Colvin, Lester Gray French, 1924 **Machinery** Lester Gray French, 1925 *Thomas Register of American Manufacturers and Thomas Register Catalog File* , 2002 Vols for 1970 71 includes manufacturers catalogs

Thomas Register of American Manufacturers , 2002 This basic source for identification of U S manufacturers is arranged by product in a large multi volume set Includes Products services Company profiles and Catalog file **The Indiana Industrial Directory** , 1974 **Commerce Business Daily** , 1999-03 *Industrial Equipment News* , 1965

The American City Arthur Hastings Grant, Harold S. Bittenheim, 1948 **Conover-Mast Purchasing Directory** , 1949

County Agent and Vo-ag Teacher , 1956 **Cranes** Standards South Africa, 2005 *Illustrated Repair Parts Manual and Scale* Canada. Department of National Defence. Chief of the Defence Staff, 1976 Cranes SABS Standards Division, 2011

C-30-105-000/MX-000 : Illustrated Repair Parts Manual and Scale Canada. Chief of the Defence Staff, 1975

Technical Manual Canada. Department of National Defence, 1972

Immerse yourself in heartwarming tales of love and emotion with Crafted by is touching creation, Experience Loveis Journey in **National Crane Manual Parts 500e** . This emotionally charged ebook, available for download in a PDF format (*), is a celebration of love in all its forms. Download now and let the warmth of these stories envelop your heart.

https://www.splashdogs.com/About/Resources/index.jsp/microsoft_65u_00001_keyboards_owners_manual.pdf

Table of Contents National Crane Manual Parts 500e

1. Understanding the eBook National Crane Manual Parts 500e
 - The Rise of Digital Reading National Crane Manual Parts 500e
 - Advantages of eBooks Over Traditional Books
2. Identifying National Crane Manual Parts 500e
 - Exploring Different Genres
 - Considering Fiction vs. Non-Fiction
 - Determining Your Reading Goals
3. Choosing the Right eBook Platform
 - Popular eBook Platforms
 - Features to Look for in an National Crane Manual Parts 500e
 - User-Friendly Interface
4. Exploring eBook Recommendations from National Crane Manual Parts 500e
 - Personalized Recommendations
 - National Crane Manual Parts 500e User Reviews and Ratings
 - National Crane Manual Parts 500e and Bestseller Lists
5. Accessing National Crane Manual Parts 500e Free and Paid eBooks
 - National Crane Manual Parts 500e Public Domain eBooks
 - National Crane Manual Parts 500e eBook Subscription Services
 - National Crane Manual Parts 500e Budget-Friendly Options
6. Navigating National Crane Manual Parts 500e eBook Formats

- ePub, PDF, MOBI, and More
 - National Crane Manual Parts 500e Compatibility with Devices
 - National Crane Manual Parts 500e Enhanced eBook Features
7. Enhancing Your Reading Experience
 - Adjustable Fonts and Text Sizes of National Crane Manual Parts 500e
 - Highlighting and Note-Taking National Crane Manual Parts 500e
 - Interactive Elements National Crane Manual Parts 500e
 8. Staying Engaged with National Crane Manual Parts 500e
 - Joining Online Reading Communities
 - Participating in Virtual Book Clubs
 - Following Authors and Publishers National Crane Manual Parts 500e
 9. Balancing eBooks and Physical Books National Crane Manual Parts 500e
 - Benefits of a Digital Library
 - Creating a Diverse Reading Collection National Crane Manual Parts 500e
 10. Overcoming Reading Challenges
 - Dealing with Digital Eye Strain
 - Minimizing Distractions
 - Managing Screen Time
 11. Cultivating a Reading Routine National Crane Manual Parts 500e
 - Setting Reading Goals National Crane Manual Parts 500e
 - Carving Out Dedicated Reading Time
 12. Sourcing Reliable Information of National Crane Manual Parts 500e
 - Fact-Checking eBook Content of National Crane Manual Parts 500e
 - Distinguishing Credible Sources
 13. Promoting Lifelong Learning
 - Utilizing eBooks for Skill Development
 - Exploring Educational eBooks
 14. Embracing eBook Trends
 - Integration of Multimedia Elements
 - Interactive and Gamified eBooks

National Crane Manual Parts 500e Introduction

In this digital age, the convenience of accessing information at our fingertips has become a necessity. Whether its research papers, eBooks, or user manuals, PDF files have become the preferred format for sharing and reading documents. However, the cost associated with purchasing PDF files can sometimes be a barrier for many individuals and organizations. Thankfully, there are numerous websites and platforms that allow users to download free PDF files legally. In this article, we will explore some of the best platforms to download free PDFs. One of the most popular platforms to download free PDF files is Project Gutenberg. This online library offers over 60,000 free eBooks that are in the public domain. From classic literature to historical documents, Project Gutenberg provides a wide range of PDF files that can be downloaded and enjoyed on various devices. The website is user-friendly and allows users to search for specific titles or browse through different categories. Another reliable platform for downloading National Crane Manual Parts 500e free PDF files is Open Library. With its vast collection of over 1 million eBooks, Open Library has something for every reader. The website offers a seamless experience by providing options to borrow or download PDF files. Users simply need to create a free account to access this treasure trove of knowledge. Open Library also allows users to contribute by uploading and sharing their own PDF files, making it a collaborative platform for book enthusiasts. For those interested in academic resources, there are websites dedicated to providing free PDFs of research papers and scientific articles. One such website is Academia.edu, which allows researchers and scholars to share their work with a global audience. Users can download PDF files of research papers, theses, and dissertations covering a wide range of subjects. Academia.edu also provides a platform for discussions and networking within the academic community. When it comes to downloading National Crane Manual Parts 500e free PDF files of magazines, brochures, and catalogs, Issuu is a popular choice. This digital publishing platform hosts a vast collection of publications from around the world. Users can search for specific titles or explore various categories and genres. Issuu offers a seamless reading experience with its user-friendly interface and allows users to download PDF files for offline reading. Apart from dedicated platforms, search engines also play a crucial role in finding free PDF files. Google, for instance, has an advanced search feature that allows users to filter results by file type. By specifying the file type as "PDF," users can find websites that offer free PDF downloads on a specific topic. While downloading National Crane Manual Parts 500e free PDF files is convenient, its important to note that copyright laws must be respected. Always ensure that the PDF files you download are legally available for free. Many authors and publishers voluntarily provide free PDF versions of their work, but its essential to be cautious and verify the authenticity of the source before downloading National Crane Manual Parts 500e. In conclusion, the internet offers numerous platforms and websites that allow users to download free PDF files legally. Whether its classic literature, research papers, or magazines, there is something for everyone. The platforms mentioned in this article, such as Project Gutenberg, Open Library, Academia.edu, and Issuu, provide access to a vast collection of PDF files. However, users

should always be cautious and verify the legality of the source before downloading National Crane Manual Parts 500e any PDF files. With these platforms, the world of PDF downloads is just a click away.

FAQs About National Crane Manual Parts 500e Books

1. Where can I buy National Crane Manual Parts 500e books? Bookstores: Physical bookstores like Barnes & Noble, Waterstones, and independent local stores. Online Retailers: Amazon, Book Depository, and various online bookstores offer a wide range of books in physical and digital formats.
2. What are the different book formats available? Hardcover: Sturdy and durable, usually more expensive. Paperback: Cheaper, lighter, and more portable than hardcovers. E-books: Digital books available for e-readers like Kindle or software like Apple Books, Kindle, and Google Play Books.
3. How do I choose a National Crane Manual Parts 500e book to read? Genres: Consider the genre you enjoy (fiction, non-fiction, mystery, sci-fi, etc.). Recommendations: Ask friends, join book clubs, or explore online reviews and recommendations. Author: If you like a particular author, you might enjoy more of their work.
4. How do I take care of National Crane Manual Parts 500e books? Storage: Keep them away from direct sunlight and in a dry environment. Handling: Avoid folding pages, use bookmarks, and handle them with clean hands. Cleaning: Gently dust the covers and pages occasionally.
5. Can I borrow books without buying them? Public Libraries: Local libraries offer a wide range of books for borrowing. Book Swaps: Community book exchanges or online platforms where people exchange books.
6. How can I track my reading progress or manage my book collection? Book Tracking Apps: Goodreads, LibraryThing, and Book Catalogue are popular apps for tracking your reading progress and managing book collections. Spreadsheets: You can create your own spreadsheet to track books read, ratings, and other details.
7. What are National Crane Manual Parts 500e audiobooks, and where can I find them? Audiobooks: Audio recordings of books, perfect for listening while commuting or multitasking. Platforms: Audible, LibriVox, and Google Play Books offer a wide selection of audiobooks.
8. How do I support authors or the book industry? Buy Books: Purchase books from authors or independent bookstores. Reviews: Leave reviews on platforms like Goodreads or Amazon. Promotion: Share your favorite books on social media or recommend them to friends.
9. Are there book clubs or reading communities I can join? Local Clubs: Check for local book clubs in libraries or

community centers. Online Communities: Platforms like Goodreads have virtual book clubs and discussion groups.

10. Can I read National Crane Manual Parts 500e books for free? Public Domain Books: Many classic books are available for free as they're in the public domain. Free E-books: Some websites offer free e-books legally, like Project Gutenberg or Open Library.

Find National Crane Manual Parts 500e :

[microsoft 65u 00001 keyboards owners manual](#)

[microsoft xbox 360 repair status](#)

[microsoft outlook training guide](#)

microsoft visio guide book

[microsoft office project 20 manual](#)

microsoft arc keyboard user guide

[microwave engineering pozar 4th solution manual](#)

[microsoft word name plate template](#)

[microsoft visio tutorial manual](#)

[mid channel a play in four acts](#)

microsoft access 2010 quick check tutorial

[microscope parts repair manual optiphot](#)

[middletpw k12 nj us](#)

[miele service manual g5285](#)

microsoft deployment guide

National Crane Manual Parts 500e :

Toward a Composition Made Whole - Project MUSE by J Shipka · 2011 · Cited by 604 — Toward a Composition Made Whole challenges theorists and compositionists to further investigate communication practices and broaden the scope of ... Toward a Composition Made Whole... by Shipka, Jody - Amazon Shipka presents several case studies of students working in multimodal composition and explains the strategies, tools, and spaces they employ. She then offers ... Toward a Composition Made Whole Toward a Composition Made Whole challenges theorists and compositionists to further investigate communication practices and broaden the scope of writing to ... SHIPKA (2011) - UMBC's English Department Toward a

Composition Made Whole challenges theorists and compositionists to further investigate communication practices and broaden the scope of writing to ... Toward a Composition Made Whole on JSTOR The workshop took place in a living-learning community on campus that catered to students who favored creative, hands-on approaches to instruction and were open ... Toward a Composition Made Whole This approach, Shipka argues, will “illuminate the fundamentally multimodal aspect of all communicative practice” (p. 39) and enables us to resist a logocentric ... Toward a Composition Made Whole - Document - Gale by TM Kays · 2012 — The framework the author proposes focuses on activity-based learning incorporating multimodal and mediate aspects of text. Fascinating and useful, the framework ... Toward a Composition Made Whole - Jody Shipka To many academics, composition still represents typewritten texts on 8.5” x 11” pages that follow rote argumentative guidelines. In Toward a Composition ... Toward a Composition Made Whole by Jody Shipka In Toward a Composition Made Whole, Jody Shipka views composition as an act of communication that can be expressed through any number of media and as a path ... Kairos 19.2: Dieterle, Review of A Composition Made Whole by B Dieterle · 2015 — Toward a Composition Made Whole advocates for a broadened definition of composition to include non-print, non-linear texts and asks composition teachers to ... TELSTA T40C Bucket Trucks / Service Trucks Auction ... Browse a wide selection of new and used TELSTA T40C Bucket Trucks / Service Trucks auction results near you at CraneTrader.com. Late Model TELSTA T-40C Bucket Trucks for Rent Description. Late Model Low Mileage Trucks Cummins 6.7L Diesel-240HP Allison Auto Transmission 40 ft Working Height Reel Carrier Take-up Telsta T40C PRO Telsta T40C Pro Aerial Stringing unit. Rear reel carrier with winder and brake. Strand reel with brake, intercom, fairleads, tow line and ... TELSTA T40C Construction Equipment Auction Results Browse a wide selection of new and used TELSTA T40C Construction Equipment auction results near you at MachineryTrader.com. Used Telsta T40C for sale. Top quality machinery listings. Telsta T40C, 40 ft, Telescopic Non-Insulated Cable Placing Bucket Truck s/n 02400026F, with single-man bucket, center mounted on 2002 GMC C7500 Utility Truck, ... Telsta T40C - Bucket Trucks Description. Telsta T40C, 40 ft, Telescopic Non-Insulated Cable Placing Bucket Truck s/n 02400026F, with single-man bucket, center mounted on 2002 GMC C7500 ... Used T40C For Sale - Bucket Truck - Boom Trucks CommercialTruckTrader.com always has the largest selection of New Or Used Bucket Truck - Boom Trucks for sale anywhere. Available Colors. (3) TELSTA · (1) ALTEC. 2004 GMC Telsta T40C Details - McCarthyTrucks Completely reconditioned lift and body. Lift completely disassembled and rebuilt using OEM parts. New bushings, inner and outer roller bearings, drive chain, ... TELSTA T40C PARTS Details - McCarthyTrucks TELSTA T40C PARTS Details. TELSTA T40C PARTS AVAILABLE. BASKETS, FORK ARMS, INNER BOOMS, REEL CARRIERS, CAPSTAN WINCHES. CALL FOR PRICES AND AVAILABILITY. How to identify mammal skulls - BBC Wildlife How to identify mammal skulls - BBC Wildlife Identify animal skulls How to identify an animal skull! Found a bird skull or mammal bone in the UK? Take a look at our ID guide to work out what your animal bones might be. Animal Skull Identification Guide Our Comprehensive animal skull identification guide

with over 100 animal skull photos will help you identify animal skulls from around the world. How to Identify a Skull The most effective means of identifying a skull to species is with the use of a dichotomous key. A dichotomous key allows a person, through a series of ... What Do We Have Here? | How To Identify Animal Skulls Jan 13, 2022 — You can tell whether the skull you're holding belonged to a predator species or a prey species just by looking at certain characteristics of the ... How to Identify a Skull | Skeleton Museum The most effective means of identifying a skull and determining the correct species is with the use of a dichotomous key. A dichotomous key allows a person, ... Become a Skull Detective, Alaska Department of Fish and Game If you are serious about learning more about skulls, you should consider this extensive skull guide: Animal Skulls, A Guide to North American Species by Mark ... Animal Skulls American beaver. (Castor canadensis). Page 2. American beaver top. Page 3. American beaver bottom. Page 4. American beaver front. Page 5. American beaver.