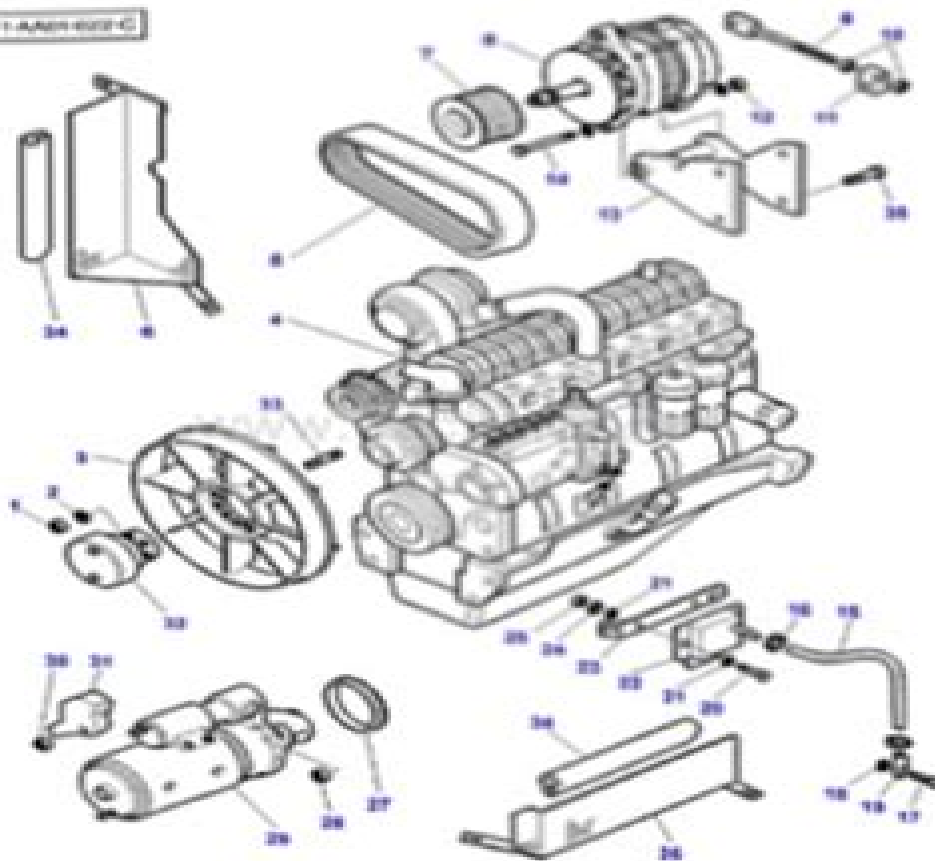




MASSEY FERGUSON®

PARTS MANUAL

1-AMF100-C



Numero: AA211823-1

990 pag.

Cap. 810-5006

Massey Ferguson 273 Service Manual

Massey-Ferguson

A decorative graphic element consisting of a light blue horizontal bar with a rounded right end, and a red semi-circular shape behind it, resembling a stylized 'M' or a gear.

Massey Ferguson 273 Service Manual:

I & T Shop Service , **Subject Guide to Books in Print** ,2001 Massey-Ferguson TE 20 Service Manual
Massey-Ferguson,19?? *Moody's Industrial Manual* ,1963 **Motor's Truck & Tractor Repair Manual** ,1950

Massey Ferguson 35 Tractor Chris Jaworski,2020-03-17 Learn everything you need to know about the Ferguson MF 35 and TO35 Featuring step by step instructions for weekly checks operator maintenance engines cooling and fuel systems transmissions brakes hydraulics and so much more this user friendly restoration service manual goes back to the basics detailing a wide range of topics so you can understand your tractor machinery from the inside out Also included are more than 650 photographs helpful charts for service schedules torques data specs tool lists and troubleshooting and even a buying guide Author Chris Jaworski is a technical writer Tractor Machinery magazine and a restoration enthusiast For owners involved in servicing repairs or restoration of the Massey Ferguson MF 35 or TO35 this crystal clear guide will help you enjoy getting the work done quickly efficiently and correctly **Public Works Manual** ,1981 **MF 40**

Tractor/digger/loader Workshop Service Manual Massey-Ferguson (Aust.) Ltd,1979* Popular Mechanics ,1983-08 Popular Mechanics inspires instructs and influences readers to help them master the modern world Whether it s practical DIY home improvement tips gadgets and digital technology information on the newest cars or the latest breakthroughs in science PM is the ultimate guide to our high tech lifestyle *Popular Mechanics* ,1985-06 Popular Mechanics inspires instructs and influences readers to help them master the modern world Whether it s practical DIY home improvement tips gadgets and digital technology information on the newest cars or the latest breakthroughs in science PM is the ultimate guide to our high tech lifestyle Popular Mechanics ,1984-02 Popular Mechanics inspires instructs and influences readers to help them master the modern world Whether it s practical DIY home improvement tips gadgets and digital technology information on the newest cars or the latest breakthroughs in science PM is the ultimate guide to our high tech lifestyle

Popular Mechanics ,1983-09 Popular Mechanics inspires instructs and influences readers to help them master the modern world Whether it s practical DIY home improvement tips gadgets and digital technology information on the newest cars or the latest breakthroughs in science PM is the ultimate guide to our high tech lifestyle **Massey-Ferguson 35**

Tractor ,1963 *Incomes Data Report* ,1978 Massey-Ferguson Agricultural Tractors Workshop Service Manual
Massey-Ferguson Ltd,197? *Books in Print* ,1991 **Stock Factograph Manual** ,1970 Popular Mechanics ,1984

Popular Science ,1983-10 Popular Science gives our readers the information and tools to improve their technology and their world The core belief that Popular Science and our readers share The future is going to be better and science and technology are the driving forces that will help make it better Popular Science ,1983-11 Popular Science gives our readers the information and tools to improve their technology and their world The core belief that Popular Science and our readers share The future is going to be better and science and technology are the driving forces that will help make it better

The book delves into Massey Ferguson 273 Service Manual. Massey Ferguson 273 Service Manual is a crucial topic that must be grasped by everyone, ranging from students and scholars to the general public. This book will furnish comprehensive and in-depth insights into Massey Ferguson 273 Service Manual, encompassing both the fundamentals and more intricate discussions.

1. The book is structured into several chapters, namely:
 - Chapter 1: Introduction to Massey Ferguson 273 Service Manual
 - Chapter 2: Essential Elements of Massey Ferguson 273 Service Manual
 - Chapter 3: Massey Ferguson 273 Service Manual in Everyday Life
 - Chapter 4: Massey Ferguson 273 Service Manual in Specific Contexts
 - Chapter 5: Conclusion
2. In chapter 1, the author will provide an overview of Massey Ferguson 273 Service Manual. The first chapter will explore what Massey Ferguson 273 Service Manual is, why Massey Ferguson 273 Service Manual is vital, and how to effectively learn about Massey Ferguson 273 Service Manual.
3. In chapter 2, the author will delve into the foundational concepts of Massey Ferguson 273 Service Manual. This chapter will elucidate the essential principles that need to be understood to grasp Massey Ferguson 273 Service Manual in its entirety.
4. In chapter 3, the author will examine the practical applications of Massey Ferguson 273 Service Manual in daily life. This chapter will showcase real-world examples of how Massey Ferguson 273 Service Manual can be effectively utilized in everyday scenarios.
5. In chapter 4, the author will scrutinize the relevance of Massey Ferguson 273 Service Manual in specific contexts. This chapter will explore how Massey Ferguson 273 Service Manual is applied in specialized fields, such as education, business, and technology.
6. In chapter 5, this book will draw a conclusion about Massey Ferguson 273 Service Manual. This chapter will summarize the key points that have been discussed throughout the book.

The book is crafted in an easy-to-understand language and is complemented by engaging illustrations. This book is highly recommended for anyone seeking to gain a comprehensive understanding of Massey Ferguson 273 Service Manual.

https://www.splashdogs.com/book/book-search/fetch.php/Major_Case_Management_Manual.pdf

Table of Contents Massey Ferguson 273 Service Manual

1. Understanding the eBook Massey Ferguson 273 Service Manual
 - The Rise of Digital Reading Massey Ferguson 273 Service Manual
 - Advantages of eBooks Over Traditional Books
2. Identifying Massey Ferguson 273 Service Manual
 - Exploring Different Genres
 - Considering Fiction vs. Non-Fiction
 - Determining Your Reading Goals
3. Choosing the Right eBook Platform
 - Popular eBook Platforms
 - Features to Look for in an Massey Ferguson 273 Service Manual
 - User-Friendly Interface
4. Exploring eBook Recommendations from Massey Ferguson 273 Service Manual
 - Personalized Recommendations
 - Massey Ferguson 273 Service Manual User Reviews and Ratings
 - Massey Ferguson 273 Service Manual and Bestseller Lists
5. Accessing Massey Ferguson 273 Service Manual Free and Paid eBooks
 - Massey Ferguson 273 Service Manual Public Domain eBooks
 - Massey Ferguson 273 Service Manual eBook Subscription Services
 - Massey Ferguson 273 Service Manual Budget-Friendly Options
6. Navigating Massey Ferguson 273 Service Manual eBook Formats
 - ePub, PDF, MOBI, and More
 - Massey Ferguson 273 Service Manual Compatibility with Devices
 - Massey Ferguson 273 Service Manual Enhanced eBook Features
7. Enhancing Your Reading Experience
 - Adjustable Fonts and Text Sizes of Massey Ferguson 273 Service Manual
 - Highlighting and Note-Taking Massey Ferguson 273 Service Manual
 - Interactive Elements Massey Ferguson 273 Service Manual

8. Staying Engaged with Massey Ferguson 273 Service Manual
 - Joining Online Reading Communities
 - Participating in Virtual Book Clubs
 - Following Authors and Publishers Massey Ferguson 273 Service Manual
9. Balancing eBooks and Physical Books Massey Ferguson 273 Service Manual
 - Benefits of a Digital Library
 - Creating a Diverse Reading Collection Massey Ferguson 273 Service Manual
10. Overcoming Reading Challenges
 - Dealing with Digital Eye Strain
 - Minimizing Distractions
 - Managing Screen Time
11. Cultivating a Reading Routine Massey Ferguson 273 Service Manual
 - Setting Reading Goals Massey Ferguson 273 Service Manual
 - Carving Out Dedicated Reading Time
12. Sourcing Reliable Information of Massey Ferguson 273 Service Manual
 - Fact-Checking eBook Content of Massey Ferguson 273 Service Manual
 - Distinguishing Credible Sources
13. Promoting Lifelong Learning
 - Utilizing eBooks for Skill Development
 - Exploring Educational eBooks
14. Embracing eBook Trends
 - Integration of Multimedia Elements
 - Interactive and Gamified eBooks

Massey Ferguson 273 Service Manual Introduction

Massey Ferguson 273 Service Manual Offers over 60,000 free eBooks, including many classics that are in the public domain. Open Library: Provides access to over 1 million free eBooks, including classic literature and contemporary works. Massey Ferguson 273 Service Manual Offers a vast collection of books, some of which are available for free as PDF downloads, particularly older books in the public domain. Massey Ferguson 273 Service Manual : This website hosts a vast collection of scientific articles, books, and textbooks. While it operates in a legal gray area due to copyright issues, its a popular resource

for finding various publications. Internet Archive for Massey Ferguson 273 Service Manual : Has an extensive collection of digital content, including books, articles, videos, and more. It has a massive library of free downloadable books. Free-eBooks Massey Ferguson 273 Service Manual Offers a diverse range of free eBooks across various genres. Massey Ferguson 273 Service Manual Focuses mainly on educational books, textbooks, and business books. It offers free PDF downloads for educational purposes. Massey Ferguson 273 Service Manual Provides a large selection of free eBooks in different genres, which are available for download in various formats, including PDF. Finding specific Massey Ferguson 273 Service Manual, especially related to Massey Ferguson 273 Service Manual, might be challenging as theyre often artistic creations rather than practical blueprints. However, you can explore the following steps to search for or create your own Online Searches: Look for websites, forums, or blogs dedicated to Massey Ferguson 273 Service Manual, Sometimes enthusiasts share their designs or concepts in PDF format. Books and Magazines Some Massey Ferguson 273 Service Manual books or magazines might include. Look for these in online stores or libraries. Remember that while Massey Ferguson 273 Service Manual, sharing copyrighted material without permission is not legal. Always ensure youre either creating your own or obtaining them from legitimate sources that allow sharing and downloading. Library Check if your local library offers eBook lending services. Many libraries have digital catalogs where you can borrow Massey Ferguson 273 Service Manual eBooks for free, including popular titles. Online Retailers: Websites like Amazon, Google Books, or Apple Books often sell eBooks. Sometimes, authors or publishers offer promotions or free periods for certain books. Authors Website Occasionally, authors provide excerpts or short stories for free on their websites. While this might not be the Massey Ferguson 273 Service Manual full book , it can give you a taste of the authors writing style. Subscription Services Platforms like Kindle Unlimited or Scribd offer subscription-based access to a wide range of Massey Ferguson 273 Service Manual eBooks, including some popular titles.

FAQs About Massey Ferguson 273 Service Manual Books

1. Where can I buy Massey Ferguson 273 Service Manual books? Bookstores: Physical bookstores like Barnes & Noble, Waterstones, and independent local stores. Online Retailers: Amazon, Book Depository, and various online bookstores offer a wide range of books in physical and digital formats.
2. What are the different book formats available? Hardcover: Sturdy and durable, usually more expensive. Paperback: Cheaper, lighter, and more portable than hardcovers. E-books: Digital books available for e-readers like Kindle or software like Apple Books, Kindle, and Google Play Books.
3. How do I choose a Massey Ferguson 273 Service Manual book to read? Genres: Consider the genre you enjoy (fiction,

- non-fiction, mystery, sci-fi, etc.). Recommendations: Ask friends, join book clubs, or explore online reviews and recommendations. Author: If you like a particular author, you might enjoy more of their work.
4. How do I take care of Massey Ferguson 273 Service Manual books? Storage: Keep them away from direct sunlight and in a dry environment. Handling: Avoid folding pages, use bookmarks, and handle them with clean hands. Cleaning: Gently dust the covers and pages occasionally.
 5. Can I borrow books without buying them? Public Libraries: Local libraries offer a wide range of books for borrowing. Book Swaps: Community book exchanges or online platforms where people exchange books.
 6. How can I track my reading progress or manage my book collection? Book Tracking Apps: Goodreads, LibraryThing, and Book Catalogue are popular apps for tracking your reading progress and managing book collections. Spreadsheets: You can create your own spreadsheet to track books read, ratings, and other details.
 7. What are Massey Ferguson 273 Service Manual audiobooks, and where can I find them? Audiobooks: Audio recordings of books, perfect for listening while commuting or multitasking. Platforms: Audible, LibriVox, and Google Play Books offer a wide selection of audiobooks.
 8. How do I support authors or the book industry? Buy Books: Purchase books from authors or independent bookstores. Reviews: Leave reviews on platforms like Goodreads or Amazon. Promotion: Share your favorite books on social media or recommend them to friends.
 9. Are there book clubs or reading communities I can join? Local Clubs: Check for local book clubs in libraries or community centers. Online Communities: Platforms like Goodreads have virtual book clubs and discussion groups.
 10. Can I read Massey Ferguson 273 Service Manual books for free? Public Domain Books: Many classic books are available for free as they're in the public domain. Free E-books: Some websites offer free e-books legally, like Project Gutenberg or Open Library.

Find Massey Ferguson 273 Service Manual :

major case management manual

magnavox rem400 code list user guide

~~make slotted waveguide omni antenna~~

main fuse mercruiser inboard

magnavox tv repair center

~~make this model roman amphitheatre cut out~~

~~maintenance manual for four wheeler~~

maintenance manual airbus a320 actuator

~~mainecare eligibiity manual~~

~~main street stock investor~~

~~main fuse honda crx~~

~~maintenance manual honda xr100 dirt bike~~

magneti marelli iaw 6r wiring schematics

~~maintainer crane manual~~

mail volume 1

Massey Ferguson 273 Service Manual :

ERB CTP Practice Test Prep 7th Grade Level 7 PDF Dec 19, 2019 — should use CTP Level 6 within the fall window testing, If you are testing in the spring you should use Level 7. REGISTER FOR MEMBER ONLY ... Erb Ctp 4 7 Grade Sample Test Pdf Page 1. Erb Ctp 4 7 Grade Sample Test Pdf. INTRODUCTION Erb Ctp 4 7 Grade Sample Test Pdf FREE. CTP by ERB | Summative Assessment for Grades 1-11 The Comprehensive Testing Program (CTP) is a rigorous assessment for students in Grades 1-11 covering reading, listening, vocabulary, writing, mathematics, and ... CTP Practice Questions - Tests For these example, what grade is this supposed to be for? My first graders are taking more time than I thought they would. Helpful Testing Links – The ... ERB CTP Practice Test Prep 4th Grade Level 4 PDF Dec 19, 2019 — Verbal Reasoning test at Level 4 evaluates student's developing proficiency in Analogical Reasoning, Categorical Reasoning & Logical Reasoning. ISEE Test Preparation for Families The score reports are similar to the ones a student receives after taking an ISEE exam. Reviewing a sample test is an excellent way to prepare for test day! CTP 4 Content Standards Manual Check with the ERB website for ... Sample Question 4, page 133. Page 49. 47. Level 7. Verbal Reasoning. The CTP 4 Verbal Reasoning test at Level 7 measures ... CTP - Content Standards Manual CTPOperations@erblearn.org. •. Page 5. CONTENT CATEGORIES: LEVEL 3. Sample Questions on pages 54-62. VERBAL REASONING. The CTP Verbal Reasoning test at Level 3 ... ERB Standardized Tests Verbal and quantitative reasoning subtests are part of the CTP4, beginning in Grade 3. The CTP4 helps compare content-specific performance to the more ... ctp 5 - sample items May 14, 2018 — introduced more high-level DOK questions while carefully maintaining CTP's historic level ... Writing Concepts & Skills. Question 8 · CTP Level 4 ... Thou art god vocal score [PDF] thou art god vocal score. 2011-11-13. 13/15 thou art god vocal score. The Voice in the Paint. 2023-04-25. Gideon, an oratorio. [Vocal score.] 1875. Unexpected ... Thou art God (High Solo) by Lionel Bou Buy Thou art God (High Solo) by Lionel Bou at jwpepper.com. Piano/Vocal Sheet Music. Thou Art God (SATB) by BECK Buy Thou Art God

(SATB) by BECK at jwpepper.com. Choral Sheet Music. Thou art God (solo/high) - Lionel Bourne An easy anthem for high voice and piano or organ, this piece has a haunting simplicity with a flowing tune over a gently rocking accompaniment. Thou art God - Lionel Bourne Thou art God. High voice vocal score. Lionel Bourne. An easy anthem for high voice and piano or organ, this piece has a haunting simplicity with a flowing tune ... Stainer, John - Lord, Thou Art God (Vocal Score) Sheet Music - £3.50 - Stainer, John - Lord, Thou Art God (Vocal Score) Thou art God - Choir An easy anthem for upper voices with organ, plus optional flute and oboe. The music has a haunting simplicity with a flowing tune over a gently rocking ... Thou art God: 9780193511576: Musical Instruments Thou art God, An easy anthem for upper voices with organ, plus optional flute and oboe. The music has a haunting simplicity with a flowing tune over a ... Thou Art God John Ness Beck Choral Sheet Music ... Thou Art God John Ness Beck Choral Sheet Music Church Choir Octavo FD9 2886 ; Quantity. 2 available ; Item Number. 295954232800 ; Format. Piano Score, Sheet Music, ... ATF for manual trans in a Ford Escort advice? I know some of the newer Dextron shouldnt be used in a manual trans but is it the same way with the newer Mercon? Can I run a synthetic like Amsoil ATF? The car ... Manual Transmission on a 98 ZX2 Nov 11, 2006 — Ford Escort - Manual Transmission on a 98 ZX2 - Does anyone know if Ford recommends changing the fluid in it's ZX2 model if it's a manual ... Change FORD ESCORT Gearbox Oil and Transmission Oil ... Change FORD ESCORT Gearbox Oil and Transmission Oil yourself - manuals and video tutorials. Helpful guides and tips on replacing FORD ESCORT Gearbox Oil and ... What kind of trans fluid? Nov 24, 2006 — In my 2000 Ford Escort Owners Manual, it states Mercon Auto Tranny Fluid. I have not seen anything about Dextron Mercon III. Even the ... ESCORT ZX2 PROJECT FILLING MANUAL TRANSMISSION ... How to Add Fluid to Manual Transmission Jan 18, 2010 — I have a 1999 Escort 123,750 miles. I changed the driver side axle and oil seal and lost some transmission fluid. I have been told that to add/ ... 1995 ford escort manual transmission fluid Get a free detailed estimate for a transmission fluid change in your area from KBB. ... 8.Compare 1995 Ford Escort Manual Transmission Fluid brands.8l manual ... 1997 ford escort manual trans fluid level check Get a free detailed estimate for a.To change the transmission fluid on the manual 1998 Ford Escort ZX2, drain the fluid from the drain hole near the speed ... Ford Escort Manual Transmission Fluid Low prices on Manual Transmission Fluid for your Ford Escort at Advance Auto Parts. Find aftermarket and OEM parts online or at a local store near you. Ford escort manual transission for sale The manual transmission in the Ford Escort uses transmission fluid, it is ... Get a free detailed estimate for a transmission repair and replacement in your area ...