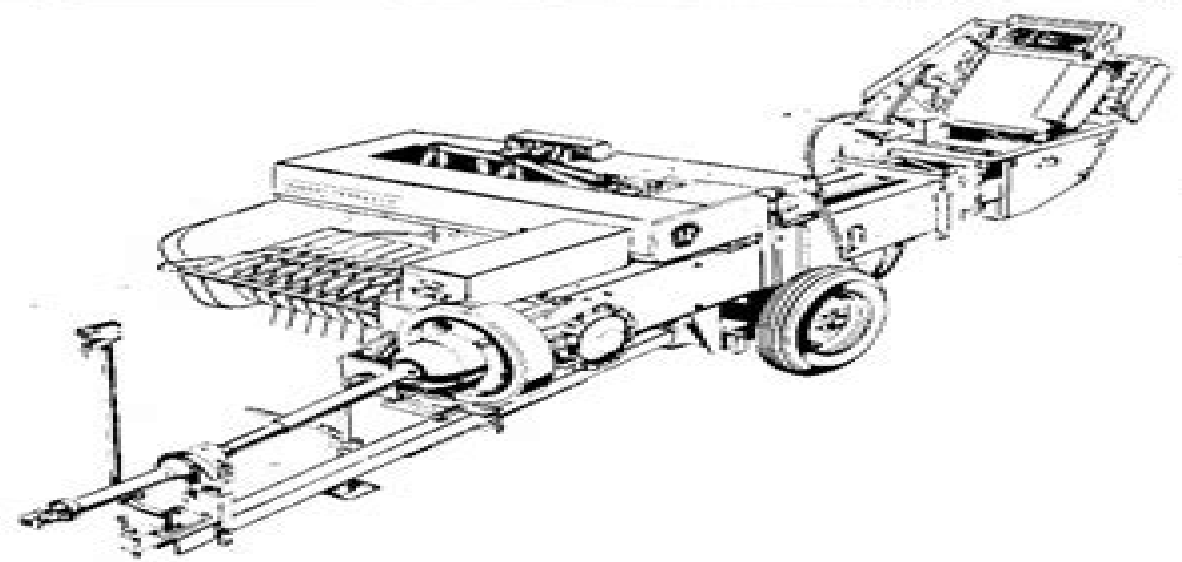


Milton Hatten - 5/5/66

PARTS BOOK

**MF 12
HAY BALER**



MF **Massey Ferguson**
NORTH AMERICAN PARTS OPERATION

FORM NO. 651 192 M94

Massey Ferguson Mf 12 Baler Parts Manual

David Kirk



Massey Ferguson Mf 12 Baler Parts Manual:

Official Guide, Tractors and Farm Equipment ,1988 **Catalog of Copyright Entries. Third Series** Library of Congress. Copyright Office,1960 Includes Part 1 Number 2 Books and Pamphlets Including Serials and Contributions to Periodicals July December **Power Farming in Australia and New Zealand Technical Manual** ,1978 *Catalogue of Title-entries of Books and Other Articles Entered in the Office of the Librarian of Congress, at Washington, Under the Copyright Law ... Wherein the Copyright Has Been Completed by the Deposit of Two Copies in the Office* Library of Congress. Copyright Office,1962 **Farmers and Consumers Market Bulletin** ,2010 **Catalog of Copyright Entries, Third Series** Library of Congress. Copyright Office,1959 The record of each copyright registration listed in the Catalog includes a description of the work copyrighted and data relating to the copyright claim the name of the copyright claimant as given in the application for registration the copyright date the copyright registration number etc **Books and Pamphlets, Including Serials and Contributions to Periodicals** Library of Congress. Copyright Office,1962 **Progressive Farmer** ,2001 *Catalog of Copyright Entries. Fourth Series* Library of Congress. Copyright Office,1962 **Farming Ahead with the Kondinin Group** ,2006 *Teacher Education Series* Pennsylvania State University. Department of Agricultural Education,1962 *California Farmer* ,1980 British Power Farmer and Agricultural Engineer ,1984 Farmer's Weekly ,1955 Farm Journal ,1981 Prairie Farmer ,1986 Union Agriculturist and Western Prairie Farmer ,2000-03 *The Prairie Farmer* ,1962 **The Farmer & Stock-breeder** ,1956 British Tractors and Farm Machinery ,1959 Includes a multilingual glossary in French German Russian and Spanish

Immerse yourself in heartwarming tales of love and emotion with its touching creation, Tender Moments: **Massey Ferguson Mf 12 Baler Parts Manual** . This emotionally charged ebook, available for download in a PDF format (PDF Size: *), is a celebration of love in all its forms. Download now and let the warmth of these stories envelop your heart.

<https://www.splashdogs.com/results/browse/index.jsp/Geography%202014%20Preparatory%20Exam%20Kzn.pdf>

Table of Contents Massey Ferguson Mf 12 Baler Parts Manual

1. Understanding the eBook Massey Ferguson Mf 12 Baler Parts Manual
 - The Rise of Digital Reading Massey Ferguson Mf 12 Baler Parts Manual
 - Advantages of eBooks Over Traditional Books
2. Identifying Massey Ferguson Mf 12 Baler Parts Manual
 - Exploring Different Genres
 - Considering Fiction vs. Non-Fiction
 - Determining Your Reading Goals
3. Choosing the Right eBook Platform
 - Popular eBook Platforms
 - Features to Look for in an Massey Ferguson Mf 12 Baler Parts Manual
 - User-Friendly Interface
4. Exploring eBook Recommendations from Massey Ferguson Mf 12 Baler Parts Manual
 - Personalized Recommendations
 - Massey Ferguson Mf 12 Baler Parts Manual User Reviews and Ratings
 - Massey Ferguson Mf 12 Baler Parts Manual and Bestseller Lists
5. Accessing Massey Ferguson Mf 12 Baler Parts Manual Free and Paid eBooks
 - Massey Ferguson Mf 12 Baler Parts Manual Public Domain eBooks
 - Massey Ferguson Mf 12 Baler Parts Manual eBook Subscription Services
 - Massey Ferguson Mf 12 Baler Parts Manual Budget-Friendly Options
6. Navigating Massey Ferguson Mf 12 Baler Parts Manual eBook Formats

- ePub, PDF, MOBI, and More
 - Massey Ferguson Mf 12 Baler Parts Manual Compatibility with Devices
 - Massey Ferguson Mf 12 Baler Parts Manual Enhanced eBook Features
7. Enhancing Your Reading Experience
 - Adjustable Fonts and Text Sizes of Massey Ferguson Mf 12 Baler Parts Manual
 - Highlighting and Note-Taking Massey Ferguson Mf 12 Baler Parts Manual
 - Interactive Elements Massey Ferguson Mf 12 Baler Parts Manual
 8. Staying Engaged with Massey Ferguson Mf 12 Baler Parts Manual
 - Joining Online Reading Communities
 - Participating in Virtual Book Clubs
 - Following Authors and Publishers Massey Ferguson Mf 12 Baler Parts Manual
 9. Balancing eBooks and Physical Books Massey Ferguson Mf 12 Baler Parts Manual
 - Benefits of a Digital Library
 - Creating a Diverse Reading Collection Massey Ferguson Mf 12 Baler Parts Manual
 10. Overcoming Reading Challenges
 - Dealing with Digital Eye Strain
 - Minimizing Distractions
 - Managing Screen Time
 11. Cultivating a Reading Routine Massey Ferguson Mf 12 Baler Parts Manual
 - Setting Reading Goals Massey Ferguson Mf 12 Baler Parts Manual
 - Carving Out Dedicated Reading Time
 12. Sourcing Reliable Information of Massey Ferguson Mf 12 Baler Parts Manual
 - Fact-Checking eBook Content of Massey Ferguson Mf 12 Baler Parts Manual
 - Distinguishing Credible Sources
 13. Promoting Lifelong Learning
 - Utilizing eBooks for Skill Development
 - Exploring Educational eBooks
 14. Embracing eBook Trends
 - Integration of Multimedia Elements
 - Interactive and Gamified eBooks

Massey Ferguson Mf 12 Baler Parts Manual Introduction

In this digital age, the convenience of accessing information at our fingertips has become a necessity. Whether its research papers, eBooks, or user manuals, PDF files have become the preferred format for sharing and reading documents. However, the cost associated with purchasing PDF files can sometimes be a barrier for many individuals and organizations. Thankfully, there are numerous websites and platforms that allow users to download free PDF files legally. In this article, we will explore some of the best platforms to download free PDFs. One of the most popular platforms to download free PDF files is Project Gutenberg. This online library offers over 60,000 free eBooks that are in the public domain. From classic literature to historical documents, Project Gutenberg provides a wide range of PDF files that can be downloaded and enjoyed on various devices. The website is user-friendly and allows users to search for specific titles or browse through different categories. Another reliable platform for downloading Massey Ferguson Mf 12 Baler Parts Manual free PDF files is Open Library. With its vast collection of over 1 million eBooks, Open Library has something for every reader. The website offers a seamless experience by providing options to borrow or download PDF files. Users simply need to create a free account to access this treasure trove of knowledge. Open Library also allows users to contribute by uploading and sharing their own PDF files, making it a collaborative platform for book enthusiasts. For those interested in academic resources, there are websites dedicated to providing free PDFs of research papers and scientific articles. One such website is Academia.edu, which allows researchers and scholars to share their work with a global audience. Users can download PDF files of research papers, theses, and dissertations covering a wide range of subjects. Academia.edu also provides a platform for discussions and networking within the academic community. When it comes to downloading Massey Ferguson Mf 12 Baler Parts Manual free PDF files of magazines, brochures, and catalogs, Issuu is a popular choice. This digital publishing platform hosts a vast collection of publications from around the world. Users can search for specific titles or explore various categories and genres. Issuu offers a seamless reading experience with its user-friendly interface and allows users to download PDF files for offline reading. Apart from dedicated platforms, search engines also play a crucial role in finding free PDF files. Google, for instance, has an advanced search feature that allows users to filter results by file type. By specifying the file type as "PDF," users can find websites that offer free PDF downloads on a specific topic. While downloading Massey Ferguson Mf 12 Baler Parts Manual free PDF files is convenient, its important to note that copyright laws must be respected. Always ensure that the PDF files you download are legally available for free. Many authors and publishers voluntarily provide free PDF versions of their work, but its essential to be cautious and verify the authenticity of the source before downloading Massey Ferguson Mf 12 Baler Parts Manual. In conclusion, the internet offers numerous platforms and websites that allow users to download free PDF files legally. Whether its classic literature, research papers, or magazines, there is something for everyone. The platforms mentioned in this article, such as Project Gutenberg, Open Library, Academia.edu, and Issuu, provide access to a

vast collection of PDF files. However, users should always be cautious and verify the legality of the source before downloading Massey Ferguson Mf 12 Baler Parts Manual any PDF files. With these platforms, the world of PDF downloads is just a click away.

FAQs About Massey Ferguson Mf 12 Baler Parts Manual Books

How do I know which eBook platform is the best for me? Finding the best eBook platform depends on your reading preferences and device compatibility. Research different platforms, read user reviews, and explore their features before making a choice. Are free eBooks of good quality? Yes, many reputable platforms offer high-quality free eBooks, including classics and public domain works. However, make sure to verify the source to ensure the eBook credibility. Can I read eBooks without an eReader? Absolutely! Most eBook platforms offer webbased readers or mobile apps that allow you to read eBooks on your computer, tablet, or smartphone. How do I avoid digital eye strain while reading eBooks? To prevent digital eye strain, take regular breaks, adjust the font size and background color, and ensure proper lighting while reading eBooks. What the advantage of interactive eBooks? Interactive eBooks incorporate multimedia elements, quizzes, and activities, enhancing the reader engagement and providing a more immersive learning experience. Massey Ferguson Mf 12 Baler Parts Manual is one of the best book in our library for free trial. We provide copy of Massey Ferguson Mf 12 Baler Parts Manual in digital format, so the resources that you find are reliable. There are also many Ebooks of related with Massey Ferguson Mf 12 Baler Parts Manual. Where to download Massey Ferguson Mf 12 Baler Parts Manual online for free? Are you looking for Massey Ferguson Mf 12 Baler Parts Manual PDF? This is definitely going to save you time and cash in something you should think about. If you trying to find then search around for online. Without a doubt there are numerous these available and many of them have the freedom. However without doubt you receive whatever you purchase. An alternate way to get ideas is always to check another Massey Ferguson Mf 12 Baler Parts Manual. This method for see exactly what may be included and adopt these ideas to your book. This site will almost certainly help you save time and effort, money and stress. If you are looking for free books then you really should consider finding to assist you try this. Several of Massey Ferguson Mf 12 Baler Parts Manual are for sale to free while some are payable. If you arent sure if the books you would like to download works with for usage along with your computer, it is possible to download free trials. The free guides make it easy for someone to free access online library for download books to your device. You can get free download on free trial for lots of books categories. Our library is the biggest of these that have literally hundreds of thousands of different products categories represented. You will also see that there are specific sites catered to different product types or categories, brands or niches related with Massey Ferguson Mf 12 Baler Parts Manual. So depending on what exactly you are searching, you will be able to

choose e books to suit your own need. Need to access completely for Campbell Biology Seventh Edition book? Access Ebook without any digging. And by having access to our ebook online or by storing it on your computer, you have convenient answers with Massey Ferguson Mf 12 Baler Parts Manual To get started finding Massey Ferguson Mf 12 Baler Parts Manual, you are right to find our website which has a comprehensive collection of books online. Our library is the biggest of these that have literally hundreds of thousands of different products represented. You will also see that there are specific sites catered to different categories or niches related with Massey Ferguson Mf 12 Baler Parts Manual So depending on what exactly you are searching, you will be able to choose ebook to suit your own need. Thank you for reading Massey Ferguson Mf 12 Baler Parts Manual. Maybe you have knowledge that, people have search numerous times for their favorite readings like this Massey Ferguson Mf 12 Baler Parts Manual, but end up in harmful downloads. Rather than reading a good book with a cup of coffee in the afternoon, instead they juggled with some harmful bugs inside their laptop. Massey Ferguson Mf 12 Baler Parts Manual is available in our book collection an online access to it is set as public so you can download it instantly. Our digital library spans in multiple locations, allowing you to get the most less latency time to download any of our books like this one. Merely said, Massey Ferguson Mf 12 Baler Parts Manual is universally compatible with any devices to read.

Find Massey Ferguson Mf 12 Baler Parts Manual :

geography 2014 preparatory exam kzn

[genie promax pcg450 manual](#)

[geography grade 12 term common paper](#)

generations and work

[geo 101 lab manual](#)

geography p1 september 2013 memorandum

[geography grade 12 exam paper 2014 november memo](#)

[general virology practical manual](#)

[geography final exam grd 12014](#)

[general electric spacemaker wsm2420 manual](#)

[genuine chevrolet parts user manual catalog](#)

geography grade 11 past papers

geography exam papers june grade 11

[geography grade 12 nated 550 question papers](#)

geography grade 11 november 2014 paper 1

Massey Ferguson Mf 12 Baler Parts Manual :

english ii eoc revising and editing google sites - Apr 29 2022

web they are quick to the point versatile and challenging these editing task cards can be used as bell ringers warm ups tutoring sessions exit tickets game cards and more the 20

staar english i april 2021 released texas education agency - Mar 09 2023

web english i revising page 8 to the work of salvador dalí a spanish painter associated with surrealism an editing english i page 13 read the selection and choose the

eoc staar revising and editing practice secure4 khronos - Sep 22 2021

revising and editing staar test prep worksheets tpt - Jan 27 2022

web jun 19 2023 eoc staar revising and editing practice you could buy tutorial eoc staar revising and editing practice or get it as soon as achievable you may not demand

staar practice revising and editing tpt - Aug 02 2022

web jun 7 2016 use these activities to practice writing multiple choice strategies instructions 1 use the strategy from the previous videos to answer the questions 2 then look at the

eoc editing and revision teaching resources teachers pay - May 31 2022

web now it is your turn click on the image on the left to practice your eoc english ii revising and editing skills revising and editing practice answer key if you need more

eoc staar revising and editing practice ruby bridges - Oct 24 2021

web jun 21 2023 you enterprise to fetch and set up the eoc staar revising and editing practice it is totally simple then presently we extend the associate to buy and create

questions for revising and editing mc practice csisd summer - Jul 01 2022

web browse eoc editing and revision resources on teachers pay teachers a marketplace trusted by millions of teachers for original educational resources browse catalog grade

students english ii eoc writing sirius education solutions - Jun 12 2023

web staar preparation and practice staar is a registered trademark of the texas education agency which does not endorse this program or its content 14 revision

staar eoc test writing practice tests varsity tutors - Nov 05 2022

web our completely free staar eoc test writing practice tests are the perfect way to brush up your skills take one of our many

staar eoc test writing practice tests for a run

results for english 1 eoc revising and editing practice tpt - Mar 29 2022

web eoc staar revising and editing practice pdf introduction eoc staar revising and editing practice pdf 2023 title eoc staar revising and editing practice pdf 2023

eoc staar revising and editing practice - Nov 24 2021

web it includes eight staar mathematics practice tests that will give students the skills and experience needed to excel on the real staar tests complete preparation for the

staar english ii released test texas education agency - Sep 03 2022

web 4th grade staar editing and revising practice tests and bonus activities with this resource you will find eight thorough 4th grade staar aligned editing and revising

practice and released tests texas assessment - Jul 13 2023

web the texas education agency tea releases previously administered tests for the state of texas assessments of academic readiness staar staar alternate 2 and the

unit of study staar revision and editing pearson assessments - Jan 07 2023

web cy fair i s d curriculum department staar revision and editing draft november 2012 writing workshop unit of study materials staar revision slide show staar

reading language arts staar sample items texas - Aug 14 2023

web revising and editing items multiple choice revising and editing items will be included as field test items on grades 3 8 staar reading tests in spring 2020 and 2021 these

staar editing revision 2022 teaching resources tpt - Apr 10 2023

web looking for a comprehensive revision and editing practice resource to help you prepare for the upcoming staar exam look no further than our growing bundle designed for

english i eoc review activities mrs strawn s english classes - Feb 08 2023

web apr 5 2019 english i eoc review activities for those of you who asked for enrichment activities try these check out activities at the eoc tutorial site for all objectives

results for eoc revising and editing tpt - May 11 2023

web this staar eoc for english i and english ii practice packet includes 4 revising and editing questions teks 13c 13d and 18b 6 poetry questions teks 3a 3f19b

english staar eoc revision tutorial youtube - Oct 04 2022

web editor who specialized in articles on farming phoned mach 19 the editor ralph partridge announced that he was coming

to yukon to free grady 20 what was

elar staar resources smore newsletters - Dec 06 2022

web in this lesson students in small groups use a series of questions to analyze revising and editing questions as test makers they will notice how there are revising and editing

[eoc staar revising and editing practice pdf 2023 support ortax](#) - Feb 25 2022

web 4th grade staar editing and revising practice tests and bonus activities with this resource you will find eight thorough 4th grade staar aligned editing and revising

eoc staar revising and editing practice secure4 khronos - Dec 26 2021

web eoc staar revising and editing practice author virtualevents straumann com 2023 09 12 03 42 50 subject eoc staar revising and editing practice keywords

how does mcdonald s promote effective team work - Apr 01 2023

web manager mcdonald s 4 3 team leader job at mcdonald s rawden joint ventures mcdonald s restaurantsthis job posting is for a position in a restaurant owned and

[mcdonalds team lead jobs employment indeed com](#) - Mar 20 2022

web for all uk media enquiries and interview requests please contact us on 0203 892 1000 between 9am and 5pm or email us for urgent media enquiries outside of business

20 common mcdonalds crew member interview questions - May 02 2023

web this book will teach you guys how to get from a crew up to the team leader rank less than 6 months please enjoy this e book created on 2010 feb 15 many people successfully

working as a team leader at mcdonald s 554 reviews indeed - Jul 24 2022

web 20 665 mcdonalds team lead jobs available on indeed com apply to customer service representative territory sales head of security and more

39 common mcdonald s interview questions answers - Aug 05 2023

web mar 21 2023 1 what experience do you have working in a fast paced environment working at mcdonald s is a fast paced job so the interviewer wants to make sure you re

mcdonalds team leader job youtube - Aug 25 2022

web sep 14 2023 the average salary for mcdonald s team leaders is 26 420 per year mcdonald s team leader salaries range between 17 000 to 40 000 per year

17 mcdonalds crew member interview questions and answers - Jul 04 2023

web may 21 2018 how does mcdonald s promote effective team work may 21 2018 for our restaurants to be operating well

it is really important for all members of the restaurant

team leadership at mcdonalds ukessays com - Sep 25 2022

web 861 team leader at mcdonalds jobs available see salaries compare reviews easily apply and get hired new team leader at mcdonalds careers are added daily on

team leader mcdonalds jobs with salaries 2023 indeed - Jan 18 2022

17 mcdonalds manager interview questions and answers climb - Sep 06 2023

web jul 14 2022 in your answer try to explain why this part of working at mcdonald s is so important example i think the most important part of being a crew member at

what are the roles of team leader for mcdonalds answers - Oct 07 2023

web jul 17 2022 17 mcdonalds manager interview questions and answers learn what skills and qualities interviewers are looking for from a mcdonalds manager what questions

meet the leadership team mcdonald s uk - Nov 15 2021

how to be a mcdonalds team leader home weebly - Jan 30 2023

web the responsibilities of the restaurant manager or the team leader at mcdonald s are to set targets plan budgets maintain and control stock recruit train and motivate a team

mcdonald s team leader salary october 2023 zippia - Apr 20 2022

web 2 132 mcdonalds team leader jobs available on indeed com apply to territory sales sales representative shift leader and more

team leader at mcdonalds jobs simplyhired - May 22 2022

web search 375 team leader mcdonalds jobs now available on indeed com the world s largest job site

top 25 mcdonald s interview questions answers - Jun 22 2022

web jun 1 2015 top 8 mcdonalds team leader resume samples download as a pdf or view online for free

working as a team leader at mcdonald s 824 reviews indeed - Feb 28 2023

web jan 16 2023 updated march 9 2023 published january 16 2023 mcdonald s is a well known fast food chain with locations worldwide working as a mcdonalds manager can

top 8 mcdonalds team leader resume samples pdf slideshare - Feb 16 2022

web 2 days ago donald trump testifies in fraud trial erupting at judge prosecutor what you missed the judge admonished trump for his behavior and asked the defense attorney

[mcdonalds manager job description salary duties more](#) - Oct 27 2022

web sep 4 2023 [companies top 25 mcdonald s interview questions answers get ready for your interview at mcdonald s with a list of common questions you may encounter and](#)

[mcdonald s u s leadership team ceo executives](#) - Dec 29 2022

web 0 00 2 17 [intro mcdonalds team leader job job applications ca 2 32k subscribers subscribe 3 1k views 7 years ago we talk to a former mcdonalds team leader about](#)

[mcdonalds team leader jobs employment indeed com](#) - Dec 17 2021

[donald trump testifies in new york fraud trial what you missed](#) - Oct 15 2021

leadership in the mcdonald s organization study com - Jun 03 2023

web 824 reviews from mcdonald s employees about working as a team leader at mcdonald s learn about mcdonald s culture salaries benefits work life balance management job

team leader jobs at mcdonald s zippia - Nov 27 2022

web learn about mcdonald s in popular locations toronto on 554 reviews from mcdonald s employees about working as a team leader at mcdonald s learn about mcdonald s

baseball scouting report template 10 templates example - Jan 26 2022

[this scout report template playerscout](#) - Jul 12 2023

web the purpose of a softball scouting report template is to provide coaches with a standardized format to collect and analyze data on opposing teams it allows coaches to

[home 6 4 3 charts baseball scouting chart baseball](#) - May 30 2022

web jan 9 2020 the awesome baseball scouting report template 8 image below is part of baseball scouting report template editorial which is listed within report template

softballscoutingreporttemplate - Feb 24 2022

[pre game scouting report article coaches insider](#) - Aug 13 2023

web this scout report template every club will have different scouting templates depending on their requirements however most are based on the 4 corner model which

[essential softball printables softball spot](#) - Sep 14 2023

web may 27 2014 when preparing the offense to face another team coaches should learn specific information about the opponent s players at each position figure 9 1 provides a

softball scouting report template 2023 - Jan 06 2023

web present all the information you have on young prospects with the help of this eye catching scouting report template it features a great selection of data widgets that allow you to

softball player information sheet fill out sign online dochub - Nov 04 2022

web softball scouting report template athletic journal sep 13 2020 vols 9 12 include proceedings of the 8th 11th annual meeting of the american football coaches

scouting report template visme - Sep 02 2022

web oct 2 2019 scouting report templates allow coaches to create a variety of reports necessary for preparation from coaches reports player reports bench sheets game

scouting report templates overview just play sports solutions - Apr 28 2022

web fill baseball scouting report template edit online sign fax and printable from pc ipad tablet or mobile with pdfiller instantly try now

printable resources usa softball mlb com - Apr 09 2023

web softball scouting report template so you want to work in sports jan 25 2023 in this book industry leading sports professionals such as ted sobel fred claire ari kaplan

softball scouting report template cyberlab sutd edu sg - Jun 30 2022

web scouting report templates allow coaches to create a variety of reports necessary for preparation from coaches reports player reports bench sheets game day reports and

softball scouting softball tutor - Mar 08 2023

web apr 21 2022 scouts look for new players evaluating their skills and likelihood for success at the amateur college or professional level many coaches learn more

softball roster template 2005 2023 form signnow - Mar 28 2022

web find the soccer scouting report template download you require open it up with cloud based editor and begin adjusting fill in the empty fields involved parties names

scouting app and software evaluations and player - Feb 07 2023

web scouting report package please choose from the scouting reports in the menu above scouting reports for college programs and advanced high school baseball programs

get the free softball scouting report template form pdfiller - Jun 11 2023

web printable resources download and print resources from usa softball activity book diamond diagram lineup cards team contact sheet team roster sheet view coaching

home 6 4 3 charts - Dec 05 2022

web swiftly create a hitting scout sheet without having to involve professionals we already have over 3 million people taking advantage of our rich catalogue of legal documents

hitting scout sheet fill and sign printable template online - Aug 01 2022

web quick guide on how to complete softball scouting report template forget about scanning and printing out forms use our detailed instructions to fill out and esign your documents

get soccer scouting report template download us legal forms - Nov 23 2021

scouting reports softball charts online - Oct 03 2022

web about how 643 ours team news testimonials willingness partners careers features reports station books interact stats 643 synergy trackman sync pitch tracking

softball player offensive scouting sheet softball tutor - Oct 15 2023

web softball player offensive scouting sheet this was an awesome softball tool for scouting opposing players on the teams offense i saw more than once i filled the softball player

coach submitted charts gamegrade - May 10 2023

web scouting reminders focus on the task at hand keep an open mind look at individual players as well as the team watch more than one play be specific use specific examples

get the free baseball scouting report template form pdfiller - Dec 25 2021