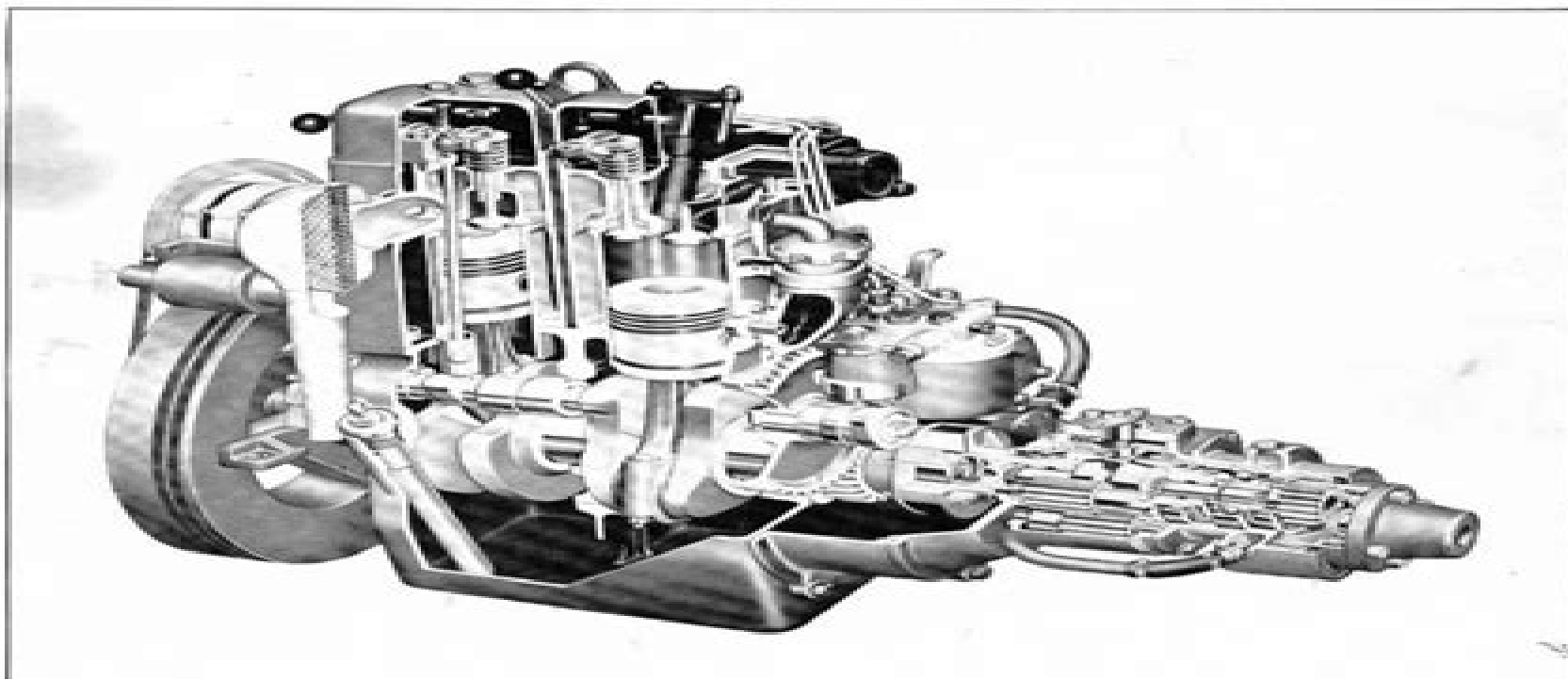


Publ. No. 2668
Dec. 1972

WORKSHOP MANUAL MD1B-MD2B-MD3B marine diesel engines



Md1b Workshop Manual

John Harold Haynes



Md1b Workshop Manual:

Volvo Penta Service and Overhaul Manual A. T. Burgess,1994 **SMI's** ,1993 The Official Washington Post Index ,1982 MGB Owner's Workshop Manual John Harold Haynes,1973 **M. G. B. Owner's Workshop Manual** John Harold Haynes,1969 *Mgb* British Leyland Motor Corporation,1970 **The M.G.M.G.B. Workshop Manual** British Motor Corporation Service, Ltd,1964 **Workshop Manual** ,1984 Fifteen Hundred and One-point-five Workshop Manual British Motor Corporation,British Motor Corporation. BMC Service Division,1965 **MGB Workshop Manual** Austin-Morris)Ltd. Service Division British, *Fifteen Hundred and One-point-five Workshop Manual* British Motor Corporation. BMC Service Division,1967 *Workshop Manual for BMC 3.4 and 3.8 Litre Four-cylinder Diesel Engines* ,1965 Part no AKD1015C Dodge & Plymouth Vans Owners Workshop Manual John Harold Haynes,P. B. Ward,1978 Maxi Workshop Manual British Leyland Motor Corporation. Austin Morris Service,1975 **MGB Workshop Manual** British Leyland (Austin-Morris) Limited,1972 *MGB Owners' Workshop Manual* John Fowler,1989 **L.D. 260-360** British Leyland (Austin-Morris). Service Division,1971 MGB Workshop Manual British Leyland (Austin-Morris) Limited. Service Division,1976 The M.G. One and a Quarter Litre (series "YB") Workshop Manual ,1959 **Workshop Manual 1 - 1 1/2 Ton** British Motor Corporation. BMC Service Division,1967

Embark on a breathtaking journey through nature and adventure with Crafted by is mesmerizing ebook, **Md1b Workshop Manual** . This immersive experience, available for download in a PDF format (Download in PDF: *), transports you to the heart of natural marvels and thrilling escapades. Download now and let the adventure begin!

<https://www.splashdogs.com/public/book-search/default.aspx/Mack%20Floor%20Jack%20Operation%20Manual.pdf>

Table of Contents Md1b Workshop Manual

1. Understanding the eBook Md1b Workshop Manual
 - The Rise of Digital Reading Md1b Workshop Manual
 - Advantages of eBooks Over Traditional Books
2. Identifying Md1b Workshop Manual
 - Exploring Different Genres
 - Considering Fiction vs. Non-Fiction
 - Determining Your Reading Goals
3. Choosing the Right eBook Platform
 - Popular eBook Platforms
 - Features to Look for in an Md1b Workshop Manual
 - User-Friendly Interface
4. Exploring eBook Recommendations from Md1b Workshop Manual
 - Personalized Recommendations
 - Md1b Workshop Manual User Reviews and Ratings
 - Md1b Workshop Manual and Bestseller Lists
5. Accessing Md1b Workshop Manual Free and Paid eBooks
 - Md1b Workshop Manual Public Domain eBooks
 - Md1b Workshop Manual eBook Subscription Services
 - Md1b Workshop Manual Budget-Friendly Options
6. Navigating Md1b Workshop Manual eBook Formats

- ePub, PDF, MOBI, and More
- Md1b Workshop Manual Compatibility with Devices
- Md1b Workshop Manual Enhanced eBook Features
- 7. Enhancing Your Reading Experience
 - Adjustable Fonts and Text Sizes of Md1b Workshop Manual
 - Highlighting and Note-Taking Md1b Workshop Manual
 - Interactive Elements Md1b Workshop Manual
- 8. Staying Engaged with Md1b Workshop Manual
 - Joining Online Reading Communities
 - Participating in Virtual Book Clubs
 - Following Authors and Publishers Md1b Workshop Manual
- 9. Balancing eBooks and Physical Books Md1b Workshop Manual
 - Benefits of a Digital Library
 - Creating a Diverse Reading Collection Md1b Workshop Manual
- 10. Overcoming Reading Challenges
 - Dealing with Digital Eye Strain
 - Minimizing Distractions
 - Managing Screen Time
- 11. Cultivating a Reading Routine Md1b Workshop Manual
 - Setting Reading Goals Md1b Workshop Manual
 - Carving Out Dedicated Reading Time
- 12. Sourcing Reliable Information of Md1b Workshop Manual
 - Fact-Checking eBook Content of Md1b Workshop Manual
 - Distinguishing Credible Sources
- 13. Promoting Lifelong Learning
 - Utilizing eBooks for Skill Development
 - Exploring Educational eBooks
- 14. Embracing eBook Trends
 - Integration of Multimedia Elements
 - Interactive and Gamified eBooks

Md1b Workshop Manual Introduction

In today's digital age, the availability of Md1b Workshop Manual books and manuals for download has revolutionized the way we access information. Gone are the days of physically flipping through pages and carrying heavy textbooks or manuals. With just a few clicks, we can now access a wealth of knowledge from the comfort of our own homes or on the go. This article will explore the advantages of Md1b Workshop Manual books and manuals for download, along with some popular platforms that offer these resources. One of the significant advantages of Md1b Workshop Manual books and manuals for download is the cost-saving aspect. Traditional books and manuals can be costly, especially if you need to purchase several of them for educational or professional purposes. By accessing Md1b Workshop Manual versions, you eliminate the need to spend money on physical copies. This not only saves you money but also reduces the environmental impact associated with book production and transportation. Furthermore, Md1b Workshop Manual books and manuals for download are incredibly convenient. With just a computer or smartphone and an internet connection, you can access a vast library of resources on any subject imaginable. Whether you're a student looking for textbooks, a professional seeking industry-specific manuals, or someone interested in self-improvement, these digital resources provide an efficient and accessible means of acquiring knowledge. Moreover, PDF books and manuals offer a range of benefits compared to other digital formats. PDF files are designed to retain their formatting regardless of the device used to open them. This ensures that the content appears exactly as intended by the author, with no loss of formatting or missing graphics. Additionally, PDF files can be easily annotated, bookmarked, and searched for specific terms, making them highly practical for studying or referencing. When it comes to accessing Md1b Workshop Manual books and manuals, several platforms offer an extensive collection of resources. One such platform is Project Gutenberg, a nonprofit organization that provides over 60,000 free eBooks. These books are primarily in the public domain, meaning they can be freely distributed and downloaded. Project Gutenberg offers a wide range of classic literature, making it an excellent resource for literature enthusiasts. Another popular platform for Md1b Workshop Manual books and manuals is Open Library. Open Library is an initiative of the Internet Archive, a non-profit organization dedicated to digitizing cultural artifacts and making them accessible to the public. Open Library hosts millions of books, including both public domain works and contemporary titles. It also allows users to borrow digital copies of certain books for a limited period, similar to a library lending system. Additionally, many universities and educational institutions have their own digital libraries that provide free access to PDF books and manuals. These libraries often offer academic texts, research papers, and technical manuals, making them invaluable resources for students and researchers. Some notable examples include MIT OpenCourseWare, which offers free access to course materials from the Massachusetts Institute of Technology, and the Digital Public Library of America, which provides a vast collection of digitized books and historical documents. In conclusion, Md1b Workshop Manual books and manuals for download have transformed the way we access information. They provide a

cost-effective and convenient means of acquiring knowledge, offering the ability to access a vast library of resources at our fingertips. With platforms like Project Gutenberg, Open Library, and various digital libraries offered by educational institutions, we have access to an ever-expanding collection of books and manuals. Whether for educational, professional, or personal purposes, these digital resources serve as valuable tools for continuous learning and self-improvement. So why not take advantage of the vast world of Md1b Workshop Manual books and manuals for download and embark on your journey of knowledge?

FAQs About Md1b Workshop Manual Books

How do I know which eBook platform is the best for me? Finding the best eBook platform depends on your reading preferences and device compatibility. Research different platforms, read user reviews, and explore their features before making a choice. Are free eBooks of good quality? Yes, many reputable platforms offer high-quality free eBooks, including classics and public domain works. However, make sure to verify the source to ensure the eBook credibility. Can I read eBooks without an eReader? Absolutely! Most eBook platforms offer webbased readers or mobile apps that allow you to read eBooks on your computer, tablet, or smartphone. How do I avoid digital eye strain while reading eBooks? To prevent digital eye strain, take regular breaks, adjust the font size and background color, and ensure proper lighting while reading eBooks. What the advantage of interactive eBooks? Interactive eBooks incorporate multimedia elements, quizzes, and activities, enhancing the reader engagement and providing a more immersive learning experience. Md1b Workshop Manual is one of the best book in our library for free trial. We provide copy of Md1b Workshop Manual in digital format, so the resources that you find are reliable. There are also many Ebooks of related with Md1b Workshop Manual. Where to download Md1b Workshop Manual online for free? Are you looking for Md1b Workshop Manual PDF? This is definitely going to save you time and cash in something you should think about. If you trying to find then search around for online. Without a doubt there are numerous these available and many of them have the freedom. However without doubt you receive whatever you purchase. An alternate way to get ideas is always to check another Md1b Workshop Manual. This method for see exactly what may be included and adopt these ideas to your book. This site will almost certainly help you save time and effort, money and stress. If you are looking for free books then you really should consider finding to assist you try this. Several of Md1b Workshop Manual are for sale to free while some are payable. If you arent sure if the books you would like to download works with for usage along with your computer, it is possible to download free trials. The free guides make it easy for someone to free access online library for download books to your device. You can get free download on free trial for lots of books categories. Our library is the biggest of these that have literally hundreds of thousands of different products categories represented. You

will also see that there are specific sites catered to different product types or categories, brands or niches related with Md1b Workshop Manual. So depending on what exactly you are searching, you will be able to choose e books to suit your own need. Need to access completely for Campbell Biology Seventh Edition book? Access Ebook without any digging. And by having access to our ebook online or by storing it on your computer, you have convenient answers with Md1b Workshop Manual To get started finding Md1b Workshop Manual, you are right to find our website which has a comprehensive collection of books online. Our library is the biggest of these that have literally hundreds of thousands of different products represented. You will also see that there are specific sites catered to different categories or niches related with Md1b Workshop Manual So depending on what exactly you are searching, you will be able to choose ebook to suit your own need. Thank you for reading Md1b Workshop Manual. Maybe you have knowledge that, people have search numerous times for their favorite readings like this Md1b Workshop Manual, but end up in harmful downloads. Rather than reading a good book with a cup of coffee in the afternoon, instead they juggled with some harmful bugs inside their laptop. Md1b Workshop Manual is available in our book collection an online access to it is set as public so you can download it instantly. Our digital library spans in multiple locations, allowing you to get the most less latency time to download any of our books like this one. Merely said, Md1b Workshop Manual is universally compatible with any devices to read.

Find Md1b Workshop Manual :

mack floor jack operation manual

[magic five keys to unlock the power of employee engagement](#)

[mae ploy chicken recipe](#)

macro photography documents

[mad heroes a novel](#)

magic lens answer guide

macroeconomics 5 edition by stephen williamson

macroeconomics ap test study guide

[macroeconomics abel bernanke 7th edition solutions manual](#)

mad in china feuilles

macroeconomics paul krugman 3rd edition

magic chef mcbc58dstf user guide

[macy credit card apr](#)

magellan gps 20manual

mach 3 motion controller board

Md1b Workshop Manual :

Strategic Planning For Success: Aligning People ... - Wiley Strategic Planning For Success: Aligning People ... - Wiley Strategic Planning For Success: Aligning... by Roger ... Useful, pragmatic, and proven tools and concepts, including needs assessment, needs analysis, and costs-consequences analysis. Strategic Planning for Success ... Strategic Planning For Success: Aligning People ... Strategic Planning for Success will show you how to define, deliver, develop, and promote genuine performance improvement within your organization. --This text ... Strategic planning for success; aligning people TITLE: Strategic planning for success; aligning people, performance, and payoffs. AUTHOR: Kaufman, Roger et al. PUBLISHER: Jossey-Bass ... Strategic Planning for Success Welcome to Strategic Planning for Success: Aligning People, Performance, and Payoffs. This is a practical and pragmatic book with cases-in-point, guides, job. Strategic Planning For Success: Aligning People, ... Strategic Planning for Success offers you a pragmatic guide to the design and development of practical and pragmatic strategic thinking and organizational ... Strategic Planning For Success: Aligning People, Performance ... Strategic Planning for Success offers you a pragmatic guide to the design and development of practical and pragmatic strategic thinking and organizational ... Book Review: Strategic Planning for Success: Aligning ... Roger Kaufman, Hugh Oakley-Browne, Ryan Watkins, and Doug Leigh As I read this book, my first reaction was, although it covered a lot of territory with ... Strategic planning for success - Vanderbilt Libraries Catalog Strategic planning for success : aligning people, performance, and payoffs / Roger Kaufman Strategic planning for success : aligning people, performance ... Strategic Planning for Success: Aligning People ... Mar 6, 2003 — Strategic Planning for Success offers you a pragmatic guide to the design and development of practical and pragmatic strategic thinking and ... 2006 AP Human Geography Released Exam Flashcards Study with Quizlet and memorize flashcards containing terms like 1. Production of agricultural products destined primarily for direct consumption by the ... AP 2006 Human Geography Scoring Guidelines AP® HUMAN GEOGRAPHY. 2006 SCORING GUIDELINES. © 2006 The College Board. All rights reserved. Visit apcentral.collegeboard.com (for AP professionals) and www ... AP Human Geography Past Exam Questions - AP Central Download free-response questions from past AP Human Geography exams, along with scoring guidelines, sample responses, and scoring distributions. 2006 AP Human Geography exam Jan 17, 2011 — Hi, this is my first post, and I've been reading along and such and hear that most of you people think that the APHG exam is easy. PRACTICE EXAM 1 - REA May 14, 2013 — PRACTICE EXAM 1. AP Human Geography. Section I. TIME: 60 minutes. 75 multiple-choice questions. (Answer sheets appear in the back of this book.). 2006 MC Section Easiest to Hardest.doc - 2006 AP Human... View 2006 MC Section Easiest to Hardest.doc from MID 425 at Missouri State University, Springfield. 2006 AP Human Geography Released Exam (Sorted

by Difficulty) 2006 AP® Human Geography Free-Response Questions This 2006 AP® Human Geography Free-Response Questions AP Test Prep is suitable for 10th - 12th Grade. People aren't the only things moving—businesses do, ... Unit IV FRQs The following questions have been asked by the College Board on previous AP Human Geography Exams. Remember that the questions, scoring guidelines, statistics, ... Every AP Human Geography Practice Test Available Apr 10, 2022 — Studying for the AP Human Geography test? Check out our complete collection of official practice exams and other free prep materials. AP HUG Free-Response Questions (FRQ) - Past Prompts Apr 5, 2021 — We've compiled a list of a bunch of the AP Human Geography past prompts! By practicing with previously released free-response questions (FRQs), ... British Labour Statistics: Historical Abstract 1886-1968 by G Routh · 1972 — Royal Statistical Society. Journal. Series A: General, Volume 135, Issue 1, January 1972, Pages 159-161, <https://doi.org/10.2307/2345059>. British labour statistics historical abstract 1886-1968 Our collections information. We have over a million object records online, and we are adding to this all the time. Our records are never finished. Sometimes we ... British labour statistics : historical abstract 1886-1968. Publisher: Her Majesty's Stationery Office, London, 1971. Genre: Statistics. Physical Description: 436 pages ; 31 cm. ISBN: 9780113608027, 0113608020. British Labour Statistics: Historical Abstract 1886-1968 British Labour Statistics: Historical Abstract 1886-1968 · From inside the book · Common terms and phrases · Bibliographic information ... British Labour Statistics: Historical Abstract 1886-1968 by G Routh · 1972 — British Labour Statistics: Historical Abstract 1886-1968. By the Department of Employment. London, H.M.S.a., 1971. 463 p. 12". £7. This splendid anthology ... Population, employment and unemployment - ESCoE The datasets are supplemented by publications such as the British Labour Statistics Historical Abstract which covers the period 1886-1968 and the monthly ... British labour statistics: historical abstract 1886-1968 British labour statistics: historical abstract 1886-1968 ; Published status: Published ; Publication date: 1971 ; Collect From: Main Reading Room ; Call Number: YYq ... British labour statistics: historical abstract, 1886-1968. British labour statistics: historical abstract, 1886-1968. Available at University Library Level 6 - Mobile Shelving - Sequence 1 (331.0942 BRI). British labour statistics: historical abstracts, 1886-1968 Title, British labour statistics: historical abstracts, 1886-1968. Author, Great Britain. Department of Employment. Publisher, H.M. Stationery Office, 1982. British labour statistics: Historical abstract 1886-1968 British labour statistics: Historical abstract 1886-1968 ; Print length. 436 pages ; Language. English ; Publisher. H.M. Stationery Off ; Publication date. January ...