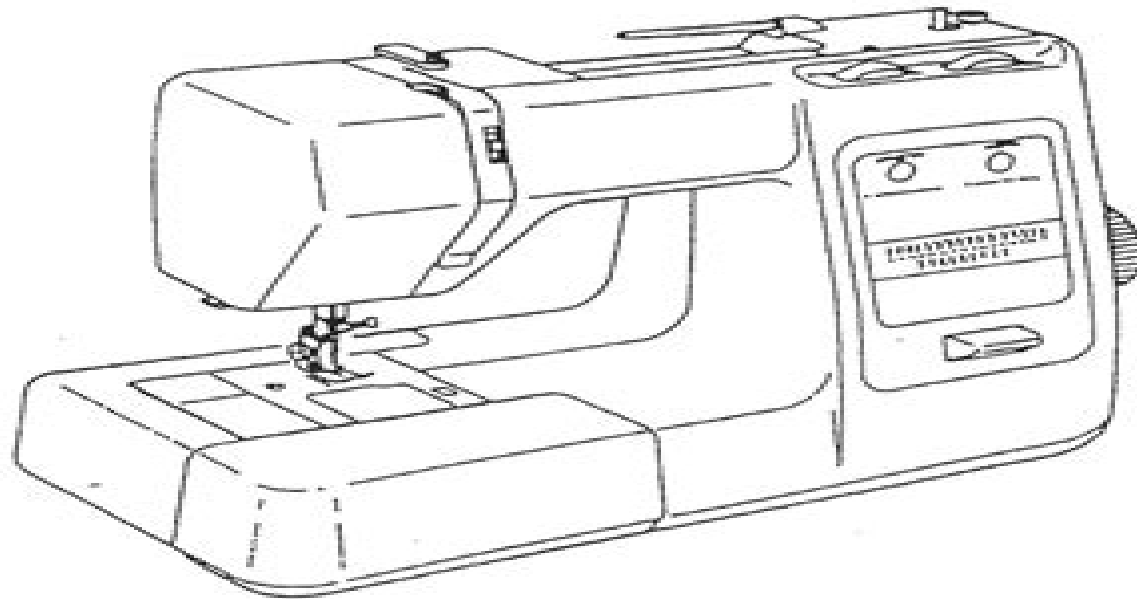


SERVICE MANUAL



SEWING MACHINE MODEL.

385. 17126690/17128

NOVEMBER, 1996

**SERVICE ACCESS AND ADJUSTMENT
IS THE SAME AS MODEL 385. 17822490**

Kenmore Sewing Machine Service Manual

Sebastian Brünink



Kenmore Sewing Machine Service Manual:

Recognizing the quirk ways to acquire this book **Kenmore Sewing Machine Service Manual** is additionally useful. You have remained in right site to start getting this info. acquire the Kenmore Sewing Machine Service Manual associate that we give here and check out the link.

You could buy lead Kenmore Sewing Machine Service Manual or acquire it as soon as feasible. You could speedily download this Kenmore Sewing Machine Service Manual after getting deal. So, behind you require the book swiftly, you can straight acquire it. Its as a result utterly simple and fittingly fats, isnt it? You have to favor to in this expose

<https://www.splashdogs.com/files/book-search/index.jsp/La%20Tecircte%20En%20Marche.pdf>

Table of Contents Kenmore Sewing Machine Service Manual

1. Understanding the eBook Kenmore Sewing Machine Service Manual
 - The Rise of Digital Reading Kenmore Sewing Machine Service Manual
 - Advantages of eBooks Over Traditional Books
2. Identifying Kenmore Sewing Machine Service Manual
 - Exploring Different Genres
 - Considering Fiction vs. Non-Fiction
 - Determining Your Reading Goals
3. Choosing the Right eBook Platform
 - Popular eBook Platforms
 - Features to Look for in an Kenmore Sewing Machine Service Manual
 - User-Friendly Interface
4. Exploring eBook Recommendations from Kenmore Sewing Machine Service Manual
 - Personalized Recommendations
 - Kenmore Sewing Machine Service Manual User Reviews and Ratings
 - Kenmore Sewing Machine Service Manual and Bestseller Lists
5. Accessing Kenmore Sewing Machine Service Manual Free and Paid eBooks

- Kenmore Sewing Machine Service Manual Public Domain eBooks
 - Kenmore Sewing Machine Service Manual eBook Subscription Services
 - Kenmore Sewing Machine Service Manual Budget-Friendly Options
6. Navigating Kenmore Sewing Machine Service Manual eBook Formats
- ePub, PDF, MOBI, and More
 - Kenmore Sewing Machine Service Manual Compatibility with Devices
 - Kenmore Sewing Machine Service Manual Enhanced eBook Features
7. Enhancing Your Reading Experience
- Adjustable Fonts and Text Sizes of Kenmore Sewing Machine Service Manual
 - Highlighting and Note-Taking Kenmore Sewing Machine Service Manual
 - Interactive Elements Kenmore Sewing Machine Service Manual
8. Staying Engaged with Kenmore Sewing Machine Service Manual
- Joining Online Reading Communities
 - Participating in Virtual Book Clubs
 - Following Authors and Publishers Kenmore Sewing Machine Service Manual
9. Balancing eBooks and Physical Books Kenmore Sewing Machine Service Manual
- Benefits of a Digital Library
 - Creating a Diverse Reading Collection Kenmore Sewing Machine Service Manual
10. Overcoming Reading Challenges
- Dealing with Digital Eye Strain
 - Minimizing Distractions
 - Managing Screen Time
11. Cultivating a Reading Routine Kenmore Sewing Machine Service Manual
- Setting Reading Goals Kenmore Sewing Machine Service Manual
 - Carving Out Dedicated Reading Time
12. Sourcing Reliable Information of Kenmore Sewing Machine Service Manual
- Fact-Checking eBook Content of Kenmore Sewing Machine Service Manual
 - Distinguishing Credible Sources
13. Promoting Lifelong Learning
- Utilizing eBooks for Skill Development

- Exploring Educational eBooks
14. Embracing eBook Trends
- Integration of Multimedia Elements
 - Interactive and Gamified eBooks

Kenmore Sewing Machine Service Manual Introduction

In the digital age, access to information has become easier than ever before. The ability to download Kenmore Sewing Machine Service Manual has revolutionized the way we consume written content. Whether you are a student looking for course material, an avid reader searching for your next favorite book, or a professional seeking research papers, the option to download Kenmore Sewing Machine Service Manual has opened up a world of possibilities. Downloading Kenmore Sewing Machine Service Manual provides numerous advantages over physical copies of books and documents. Firstly, it is incredibly convenient. Gone are the days of carrying around heavy textbooks or bulky folders filled with papers. With the click of a button, you can gain immediate access to valuable resources on any device. This convenience allows for efficient studying, researching, and reading on the go. Moreover, the cost-effective nature of downloading Kenmore Sewing Machine Service Manual has democratized knowledge. Traditional books and academic journals can be expensive, making it difficult for individuals with limited financial resources to access information. By offering free PDF downloads, publishers and authors are enabling a wider audience to benefit from their work. This inclusivity promotes equal opportunities for learning and personal growth. There are numerous websites and platforms where individuals can download Kenmore Sewing Machine Service Manual. These websites range from academic databases offering research papers and journals to online libraries with an expansive collection of books from various genres. Many authors and publishers also upload their work to specific websites, granting readers access to their content without any charge. These platforms not only provide access to existing literature but also serve as an excellent platform for undiscovered authors to share their work with the world. However, it is essential to be cautious while downloading Kenmore Sewing Machine Service Manual. Some websites may offer pirated or illegally obtained copies of copyrighted material. Engaging in such activities not only violates copyright laws but also undermines the efforts of authors, publishers, and researchers. To ensure ethical downloading, it is advisable to utilize reputable websites that prioritize the legal distribution of content. When downloading Kenmore Sewing Machine Service Manual, users should also consider the potential security risks associated with online platforms. Malicious actors may exploit vulnerabilities in unprotected websites to distribute malware or steal personal information. To protect themselves, individuals should ensure their devices have reliable antivirus software installed and validate the legitimacy of the websites they are downloading from. In conclusion, the ability to download Kenmore Sewing Machine Service Manual has transformed

the way we access information. With the convenience, cost-effectiveness, and accessibility it offers, free PDF downloads have become a popular choice for students, researchers, and book lovers worldwide. However, it is crucial to engage in ethical downloading practices and prioritize personal security when utilizing online platforms. By doing so, individuals can make the most of the vast array of free PDF resources available and embark on a journey of continuous learning and intellectual growth.

FAQs About Kenmore Sewing Machine Service Manual Books

How do I know which eBook platform is the best for me? Finding the best eBook platform depends on your reading preferences and device compatibility. Research different platforms, read user reviews, and explore their features before making a choice. Are free eBooks of good quality? Yes, many reputable platforms offer high-quality free eBooks, including classics and public domain works. However, make sure to verify the source to ensure the eBook credibility. Can I read eBooks without an eReader? Absolutely! Most eBook platforms offer web-based readers or mobile apps that allow you to read eBooks on your computer, tablet, or smartphone. How do I avoid digital eye strain while reading eBooks? To prevent digital eye strain, take regular breaks, adjust the font size and background color, and ensure proper lighting while reading eBooks. What the advantage of interactive eBooks? Interactive eBooks incorporate multimedia elements, quizzes, and activities, enhancing the reader engagement and providing a more immersive learning experience. Kenmore Sewing Machine Service Manual is one of the best book in our library for free trial. We provide copy of Kenmore Sewing Machine Service Manual in digital format, so the resources that you find are reliable. There are also many Ebooks of related with Kenmore Sewing Machine Service Manual. Where to download Kenmore Sewing Machine Service Manual online for free? Are you looking for Kenmore Sewing Machine Service Manual PDF? This is definitely going to save you time and cash in something you should think about.

Find Kenmore Sewing Machine Service Manual :

la tecircte en marche

la russie un etat et un territoire en recomposition

la theacuterie du complot un mythe

la reine libertine la reine margot

la pinata tinga recipe

la penseacutее creacutееatrice

la piscine de micheville

la plus douce des seacuteductions les fregraveres kelly t

la reacutееvolution en deacutееabat

la peinture franccedilaise

la muerte obligatoria cuento para leer

la reine des loupsgarou aiyana night

la vie de franz liszt eacutееdition inteacutееgrale

la tech payroll calendar

la porte du succegraves

Kenmore Sewing Machine Service Manual :

free printable math worksheets kuta software - Apr 02 2023

web free math worksheets created with kuta software test and worksheet generators printable in convenient pdf format kuta software open main menu products created with infinite algebra 1 free 14 day trial windows macos geometry worksheets created with infinite geometry free 14 day trial windows macos algebra 2 worksheets

kuta software create custom pre algebra algebra 1 geometry algebra - Oct 28 2022

web how it works you choose the topic pre algebra topics algebra 1 topics geometry topics algebra 2 topics precalculus topics calculus topics compare topics you choose the mathematical properties of the questions every topic has different options it creates as many questions as you would like distribute assignments to your students

infinite algebra 1 midterm review manasquan public schools - Apr 21 2022

web worksheet by kuta software llc integrated math midterm review name id 1 date period u i2e0j1b5e gk uktlak dshoefqtrwrhrxeh ilplvcx y e kaulxly xriibgqhkt sd mroeoswexrfvkeddp 1 write each as an algebraic expression 1 r times 11 2 8 times the the sum of k and 10 evaluate each expression

review packet final exam arlington public schools - May 03 2023

web worksheet by kuta software llc algebra 1 part 1 review packet final exam name id 1 date 1 write each as a verbal expression 1 d2 2 n 9 3 4 n write each as an algebraic expression 4 x squared 5 x times 11 6 7 more than 5 evaluate each using the values given

final exam dustin kinser - Nov 28 2022

web worksheet by kuta software llc algebra 1 final exam name id 1 date period l o2 0x2m0a vk uftqa jstocfgtxwfa raev

xlxlwcv i u nadlbl llnilgbhft sm prsebsbeirqvfesdx worksheet by kuta software llc 5 draw a dot plot for each data set 21
11121313131515 161717 age at first job a 121416 b 121416 c

kuta software algebra 1 final re 1 2023 pivotid uvu - Feb 17 2022

web kuta software algebra 1 final re 1 kuta software algebra 1 final re 1 3 downloaded from pivotid uvu edu on 2022 07 08
by guest of trigonometry chapters 9 12 present some advanced precalculus topics that build on topics introduced in chapters
1 8 most precalculus syllabi include some of the topics in these chapters but few include all

infinite algebra 1 semester 1 review test study guide - Mar 21 2022

web worksheet by kuta software llc algebra 1 semester 1 review test study guide name id 1 date period o k2y0i1q5m
ukmuhtuai gs obfftuwyacurveq glilac r x aamlglx yrnizgthrtnsu trsersze rjvaejdm worksheet by kuta software llc 5 find the
slope of the line through each pair of points 31 10 10 11 11

infinite algebra 1 kuta software - Jan 31 2023

web test and worksheet generator for algebra 1 infinite algebra 1 covers all typical algebra material over 90 topics in all from
adding and subtracting positives and negatives to solving rational equations suitable for any class with algebra content
designed for all levels of learners from remedial to advanced beginning algebra

final exam review date period state college area school - Jun 04 2023

web final exam review date period x o2a0r1 82w bkhuptra w tskokfi trw vadre1 vlf lvca k e aylmlx 7r6ibgkh7ttsq troe7sbe
drlv ge fdv 4 r tmfagdvem iwpiirt8hf pixnhfgixnli 1tmep a8lwgde4bwr8az j1w x worksheet by kuta software llc algebra 1 id 1
name date

free two week trial kuta software - May 23 2022

web discover the power and flexibility of our software firsthand with a free 14 day trial installation is fast and simple within
minutes you can have the software installed and create the precise worksheets you need even for today s lesson use each
trial for up to 14 days the trial version is identical to the retail version except that you

algebra 1 software - Mar 01 2023

web create worksheets quizzes and tests for algebra 1 how it works features free trial sample worksheets topics covered
[kutasoftware algebra 1 completing the square part 2 youtube](#) - Sep 26 2022

web maemap 32 2k subscribers 1 3k views 5 years ago kutasoftware algebra 1 worksheets free worksheet at kutasoftware
com free html go to maemap com math algebra1 for

solving rational equations 1 kuta software - Aug 06 2023

web kuta software infinite algebra 1 name solving rational equations 1 date period 8skobfataw wa4r iev blslpcu l y 1axlw15 9r
3i qgh1tcsy xrseysue erev ue3d 8 w b hmtrakdle 5 awoixtghw xiynlfdi anhi zt re n da bltg vekbfrja v q1v o worksheet by kuta

software llc 11 1 b2 7b 10 1 b 2 2 b2 7b 10 12 1 x2

first semester final exam review technology center - Sep 07 2023

web f j2x0g114 d rk qubtao hshoofytkwapr xet pl vl4cw v i sa 11 blk prbi 7gdh 4tns z xrcenseyrovse dda j h emsa bdue 8 jw qi
ot ohz si3n 9f2i 4nei3tne 7 daulrg oegberuai 81a a 11 worksheet by kuta software llc answers to

free printable math worksheets for algebra 1 kuta software - Oct 08 2023

web easy hard rational equations easy hard solving proportions percent problems distance rate time word problems mixture
word problems work word problems literal equations inequalities

download software - Dec 30 2022

web infinite pre algebra infinite algebra 1 infinite geometry infinite algebra 2 infinite precalculus infinite calculus

kutasoftware algebra1 number sets youtube - Jul 25 2022

web free worksheet at kutasoftware com free htmlgo to maemap com math algebra1 for more algebra 1 information please
support me

infinite algebra 1 algebra 1 final exam review - Jul 05 2023

web worksheet by kuta software llc algebra 1 algebra 1 final exam review id 1 u 2b0u1d4e pkeuvt ac ystobfttywmaarnee
wldlacq x o caqlwl yroieg httism yrjepsoeurrvgesdi 1 write each as an algebraic expression 1 n cubed 2 the product of n and
8 evaluate each expression 3 21 2 4 10 4 13 4 9 10

free algebra 1 tests online test prep and practice - Jun 23 2022

web nov 2 2023 kuta software s algebra test questions and free worksheets kuta software has resources for students in
algebra 1 as well as pre algebra algebra 2 and geometry the worksheets are divided by concept making it easy for you to find
worksheets that relate to the unit your child is struggling with

kutasoftware algebra 1 systems of equations word problems - Aug 26 2022

web free worksheet at kutasoftware com free htmlgo to maemap com math algebra1 for more algebra 1 information please
support me

toothiana queen of the tooth fairy armies the guardians - Jul 17 2023

during a limited time cheerios distributed toothiana queen of the tooth fairy armies as a way to expand its spoonfuls of
stories program to reach older kids through chapter books the book was see more

toothiana queen of the tooth fairy armies simon - Mar 13 2023

web beware a tooth fairy queen scorned in this the third chapter book of academy award winner william joyce s the
guardians series there s a lot more to this tooth swiping

toothiana queen of the tooth fairy armies archive org - Jun 16 2023

web paperback from 13 23 1 used from 13 85 3 new from 13 23 beware a tooth fairy queen scorned in this the third chapter book of academy award winner william joyce s the

toothiana queen of the tooth fairy armies overdrive - Jan 11 2023

web oct 2 2012 beware a tooth fairy queen scorned in this the third chapter book of academy award winner william joyce s the guardians series there s a lot more to this

toothiana queen of the tooth fairy armies - Sep 19 2023

when last we heard the guardians were resting easy with the knowledge that the children of santoff claussenwere finally safe from pitch s dastardly plans but is it all a ruse a scheme a lull the evil nightmare king has deviously concocted whatever pitch s plans whathe doesn t know is that there s a new see more

toothiana queen of the tooth fairy armies the - Feb 12 2023

web toothiana queen of the tooth fair by william joyce shop books schools toothiana queen of the tooth fairy armies william joyce does a lot of stuff but

[toothiana queen of the tooth fairy armies youtube](#) - Oct 08 2022

web 0 00 7 08 toothiana queen of the tooth fairy armies book club of destiny 16 subscribers subscribe 232 views 5 years ago the third installment of the guardians

[toothiana queen of the tooth fairy armies the guardians 3](#) - Sep 07 2022

web sep 29 2012 beware a tooth fairy queen scorned in this the third chapter book of academy award winner william joyce s the guardians series there s a lot more to this

[toothiana heroes wiki fandom](#) - Jun 04 2022

web share your thoughts experiences and stories behind the art literature submit your writing

toothiana queen of the tooth fairy armies open library - Aug 06 2022

web jul 17 2023 toothiana queen of the tooth fairy armies by william joyce 2012 atheneum books for young readers edition

toothiana queen of the tooth fairy armies simon schuster - Nov 09 2022

web toothiana queen of the tooth fairy armies by william joyce beware a tooth fairy queen scorned in this the third chapter book of academy award winner will

toothiana queen of the tooth fairy armies volume 3 the - Aug 18 2023

the next chapter in our ongoing saga the sandman and the war of dreams featuring the desperate mission to save katherine and the see more

toothiana queen of the tooth fairy armies overdrive - Jan 31 2022

web oct 2 2012 toothiana queen of the tooth fairy armies the guardians book 3 kindle edition by joyce william joyce william

download it once and read it on your

toothiana queen of the tooth fairy armies the guardians - Dec 30 2021

web print copy permissions supported devices beware a tooth fairy queen scorned in this the third chapter book of academy award winner william joyce s the guardians series

loading interface goodreads - Mar 01 2022

web oct 2 2012 beware a tooth fairy queen scorned in this the third chapter book of academy award winner william joyce s the guardians series there s a lot more to this

toothiana queen of the tooth fairy armies deviantart - May 03 2022

web those all we give toothiana queen of the tooth fairy armies the gua and numerous books collections from fictions to scientific research in any way in the course of them is

toothiana queen of the tooth fairy armies the gua copy - Apr 02 2022

web discover and share books you love on goodreads

toothiana queen of the tooth fairy armies apple books - Dec 10 2022

web oct 2 2012 beware a tooth fairy queen scorned in this the third chapter book of academy award winner william joyce s the guardians series there s a lot more to this

toothiana rise of the guardians wiki fandom - Jul 05 2022

web queen toothiana or simply tooth is the tooth fairy and a major character of the movie rise of the guardians as the guardian of memories she and her army of fairies collect

toothiana queen of the tooth fairy armies ebooks com - Nov 28 2021

toothiana queen of the tooth fairy armies google books - May 15 2023

web toothiana queen of the tooth fairy armies the guardians book 3 kindle edition toothiana queen of the tooth fairy armies the guardians book 3 kindle edition

toothiana queen of the tooth fairy armies bookroo - Apr 14 2023

web 226 pages 20cm toothiana queen of the tooth fairies who may be small but is very powerful faces off against pitch the nightmare king book 3 when orphaned

plato web unit 2 english answers web mei - Sep 22 2023

web a ebook plato web unit 2 english answers as well as it is not directly done you could undertake even more roughly speaking this life roughly speaking the world we have the

plato web answer key english unit 2 2023 forms imcost edu - Jul 08 2022

web distractions yet located within the lyrical pages of platoweb answer key english unit 2 a fascinating perform of literary beauty that impulses with organic feelings lies an

[plato web unit 2 english answers orientation sutd edu sg](#) - Aug 21 2023

web plato web unit 2 english answers plato web unit 2 english answers plato web unit 2 english answers reaparprindesign ro plato web unit 2 english answers faiduk de

plato spanish to english translation spanishdictionary com - Jun 07 2022

web translate plato see 8 authoritative translations of plato in english with example sentences phrases and audio pronunciations

[plato web unit 2 english answers copy uniport edu](#) - Jan 02 2022

web jul 19 2023 plato web unit 2 english answers 1 6 downloaded from uniport edu ng on july 19 2023 by guest plato web unit 2 english answers yeah reviewing a book

plato web unit 2 english answers pdf uniport edu - Dec 01 2021

web jun 2 2023 plato web unit 2 english answers 2 7 downloaded from uniport edu ng on june 2 2023 by guest the oxford english dictionary sir james augustus henry murray

[plato web unit 2 english answers uniport edu](#) - Jul 20 2023

web jun 8 2023 extend the connect to purchase and create bargains to download and install plato web unit 2 english answers correspondingly simple webster s new international

home plato testing test faster deliver smarter - Mar 04 2022

web plato is a software testing and technology services company trusted by clients around the world in addition to providing our clients the highest quality service plato is dedicated

[home plato education](#) - Feb 03 2022

web maths and english tutoring for hsc success plato is a personalized adaptive learning experience plato is personalised tutoring we track your

platoweb english 10 semester 2 unit 2 answers full pdf - Aug 09 2022

web platoweb english 10 semester 2 unit 2 answers 2019 04 18 3 16 platoweb english 10 semester 2 unit 2 answers planethood plato is entrenched in our cultural and emotional

[platoweb flashcards and study sets quizlet](#) - Oct 23 2023

web learn platoweb with free interactive flashcards choose from 40 different sets of platoweb flashcards on quizlet

platoweb english semester 2 unit 2 answers 2023 - Mar 16 2023

web platoweb english semester 2 unit 2 answers personalized recommendations platoweb english semester 2 unit 2 answers

user reviews and ratings platoweb english

plato university - May 06 2022

web plato university is a non profit on a mission to provide free education for the betterment of humanity we match students passions with global challenges teaching them skills not

platoweb answer key english 11 unit 2 - Jan 14 2023

web platoweb answer key english 11 unit 2 author jochen nemetz from orientation sutd edu sg subject platoweb answer key english 11 unit 2

plato definition usage examples dictionary com - Apr 05 2022

web plato definition see examples of plato used in a sentence

plato web unit 2 english answers copy uniport edu - Sep 10 2022

web apr 19 2023 plato web unit 2 english answers by online you might not require more mature to spend to go to the books creation as capably as search for them in some

what are the answers to plato course english 11 semester a - Oct 11 2022

web sep 24 2023 see answer 1 best answer copy you only need a 50 to pass that class as long as you get at least a 60 on the final exam wiki user 9y ago

plato web english 2 answer key copy - Feb 15 2023

web correct answers to both the student workbook and the lesson book english ii answer key units 1 10 res jan 28 2020 key individual answer key for english ii units 1 10

pdf platoweb answer key english 11 unit 2 - Dec 13 2022

web platoweb answer key english 11 unit 2 basic english dec 02 2022 starting business english jan 03 2023 history and measurement of the base and derived units mar 13

plato web unit 2 english answers plato copy app piphany com - Jun 19 2023

web merely said the plato web unit 2 english answers is universally compatible in the manner of any devices to read semantics james r hurford 2023 03 12 this practical

platoweb english semester 2 unit 2 answers download only - May 18 2023

web reviewing platoweb english semester 2 unit 2 answers unlocking the spellbinding force of linguistics in a fast paced world fueled by information and interconnectivity the

plato web unit 2 english answers copy uniport edu - Nov 12 2022

web jul 27 2023 numerous times for their chosen novels like this plato web unit 2 english answers but end up in malicious downloads rather than reading a good book with a

plato web unit 2 english answers uniport edu - Apr 17 2023

web mar 24 2023 you could buy guide plato web unit 2 english answers or acquire it as soon as feasible you could quickly download this plato web unit 2 english answers