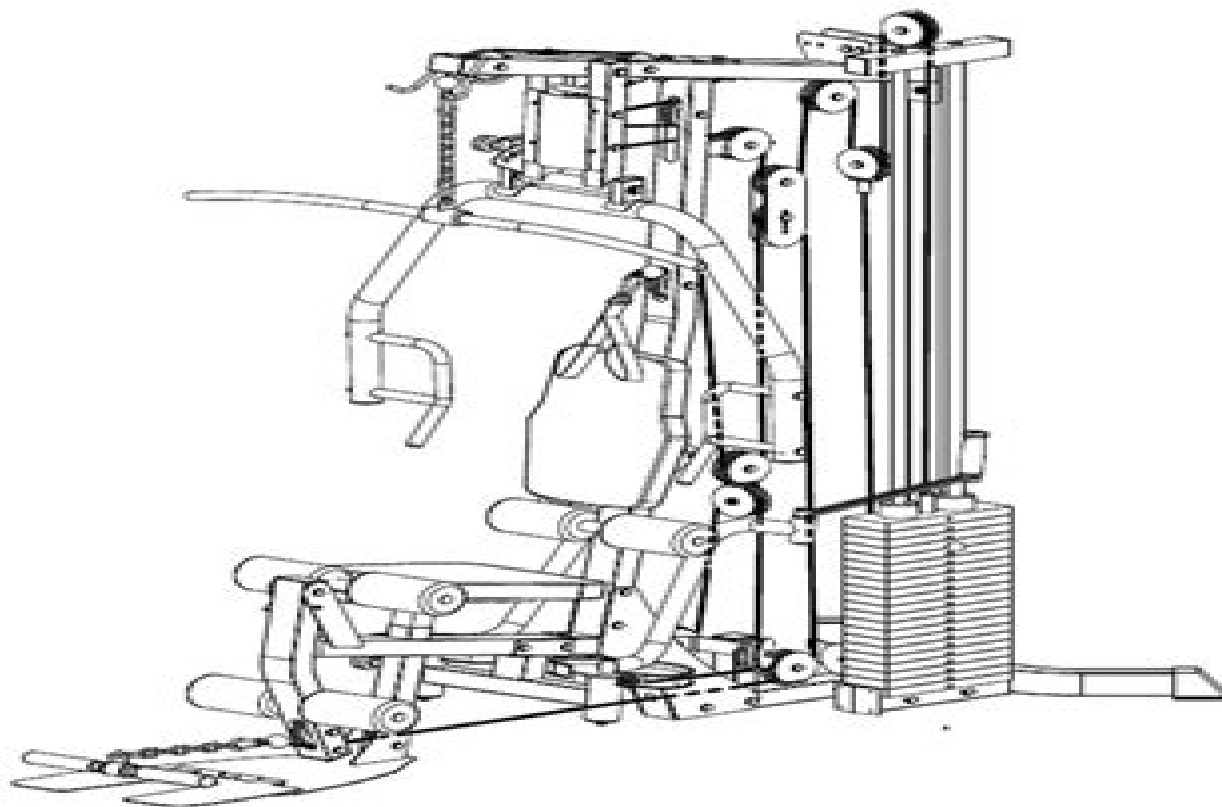


OWNER'S MANUAL

MULTI GYM WITH BUTTERFLY Model #: 486 MG



Caution: Read all precautions and instructions in this manual before using this equipment. Save this manual for future reference.

Multi Tech Mt5634hd16 Owners Manual

Rachel Sandford



Multi Tech Mt5634hd16 Owners Manual:
Multitech Plus 700 ,1986

Fuel your quest for knowledge with Authored by is thought-provoking masterpiece, Explore **Multi Tech Mt5634hd16 Owners Manual** . This educational ebook, conveniently sized in PDF (PDF Size: *), is a gateway to personal growth and intellectual stimulation. Immerse yourself in the enriching content curated to cater to every eager mind. Download now and embark on a learning journey that promises to expand your horizons. .

https://www.splashdogs.com/files/Resources/index.jsp/Gina_Wilson_All_Things_Algebra_Segments_Lengths.pdf

Table of Contents Multi Tech Mt5634hd16 Owners Manual

1. Understanding the eBook Multi Tech Mt5634hd16 Owners Manual
 - The Rise of Digital Reading Multi Tech Mt5634hd16 Owners Manual
 - Advantages of eBooks Over Traditional Books
2. Identifying Multi Tech Mt5634hd16 Owners Manual
 - Exploring Different Genres
 - Considering Fiction vs. Non-Fiction
 - Determining Your Reading Goals
3. Choosing the Right eBook Platform
 - Popular eBook Platforms
 - Features to Look for in an Multi Tech Mt5634hd16 Owners Manual
 - User-Friendly Interface
4. Exploring eBook Recommendations from Multi Tech Mt5634hd16 Owners Manual
 - Personalized Recommendations
 - Multi Tech Mt5634hd16 Owners Manual User Reviews and Ratings
 - Multi Tech Mt5634hd16 Owners Manual and Bestseller Lists
5. Accessing Multi Tech Mt5634hd16 Owners Manual Free and Paid eBooks
 - Multi Tech Mt5634hd16 Owners Manual Public Domain eBooks
 - Multi Tech Mt5634hd16 Owners Manual eBook Subscription Services
 - Multi Tech Mt5634hd16 Owners Manual Budget-Friendly Options

6. Navigating Multi Tech Mt5634hd16 Owners Manual eBook Formats
 - ePub, PDF, MOBI, and More
 - Multi Tech Mt5634hd16 Owners Manual Compatibility with Devices
 - Multi Tech Mt5634hd16 Owners Manual Enhanced eBook Features
7. Enhancing Your Reading Experience
 - Adjustable Fonts and Text Sizes of Multi Tech Mt5634hd16 Owners Manual
 - Highlighting and Note-Taking Multi Tech Mt5634hd16 Owners Manual
 - Interactive Elements Multi Tech Mt5634hd16 Owners Manual
8. Staying Engaged with Multi Tech Mt5634hd16 Owners Manual
 - Joining Online Reading Communities
 - Participating in Virtual Book Clubs
 - Following Authors and Publishers Multi Tech Mt5634hd16 Owners Manual
9. Balancing eBooks and Physical Books Multi Tech Mt5634hd16 Owners Manual
 - Benefits of a Digital Library
 - Creating a Diverse Reading Collection Multi Tech Mt5634hd16 Owners Manual
10. Overcoming Reading Challenges
 - Dealing with Digital Eye Strain
 - Minimizing Distractions
 - Managing Screen Time
11. Cultivating a Reading Routine Multi Tech Mt5634hd16 Owners Manual
 - Setting Reading Goals Multi Tech Mt5634hd16 Owners Manual
 - Carving Out Dedicated Reading Time
12. Sourcing Reliable Information of Multi Tech Mt5634hd16 Owners Manual
 - Fact-Checking eBook Content of Multi Tech Mt5634hd16 Owners Manual
 - Distinguishing Credible Sources
13. Promoting Lifelong Learning
 - Utilizing eBooks for Skill Development
 - Exploring Educational eBooks
14. Embracing eBook Trends
 - Integration of Multimedia Elements

- Interactive and Gamified eBooks

Multi Tech Mt5634hd16 Owners Manual Introduction

Multi Tech Mt5634hd16 Owners Manual Offers over 60,000 free eBooks, including many classics that are in the public domain. Open Library: Provides access to over 1 million free eBooks, including classic literature and contemporary works. Multi Tech Mt5634hd16 Owners Manual Offers a vast collection of books, some of which are available for free as PDF downloads, particularly older books in the public domain. Multi Tech Mt5634hd16 Owners Manual : This website hosts a vast collection of scientific articles, books, and textbooks. While it operates in a legal gray area due to copyright issues, its a popular resource for finding various publications. Internet Archive for Multi Tech Mt5634hd16 Owners Manual : Has an extensive collection of digital content, including books, articles, videos, and more. It has a massive library of free downloadable books. Free-eBooks Multi Tech Mt5634hd16 Owners Manual Offers a diverse range of free eBooks across various genres. Multi Tech Mt5634hd16 Owners Manual Focuses mainly on educational books, textbooks, and business books. It offers free PDF downloads for educational purposes. Multi Tech Mt5634hd16 Owners Manual Provides a large selection of free eBooks in different genres, which are available for download in various formats, including PDF. Finding specific Multi Tech Mt5634hd16 Owners Manual, especially related to Multi Tech Mt5634hd16 Owners Manual, might be challenging as theyre often artistic creations rather than practical blueprints. However, you can explore the following steps to search for or create your own Online Searches: Look for websites, forums, or blogs dedicated to Multi Tech Mt5634hd16 Owners Manual, Sometimes enthusiasts share their designs or concepts in PDF format. Books and Magazines Some Multi Tech Mt5634hd16 Owners Manual books or magazines might include. Look for these in online stores or libraries. Remember that while Multi Tech Mt5634hd16 Owners Manual, sharing copyrighted material without permission is not legal. Always ensure youre either creating your own or obtaining them from legitimate sources that allow sharing and downloading. Library Check if your local library offers eBook lending services. Many libraries have digital catalogs where you can borrow Multi Tech Mt5634hd16 Owners Manual eBooks for free, including popular titles. Online Retailers: Websites like Amazon, Google Books, or Apple Books often sell eBooks. Sometimes, authors or publishers offer promotions or free periods for certain books. Authors Website Occasionally, authors provide excerpts or short stories for free on their websites. While this might not be the Multi Tech Mt5634hd16 Owners Manual full book , it can give you a taste of the authors writing style. Subscription Services Platforms like Kindle Unlimited or Scribd offer subscription-based access to a wide range of Multi Tech Mt5634hd16 Owners Manual eBooks, including some popular titles.

FAQs About Multi Tech Mt5634hd16 Owners Manual Books

1. Where can I buy Multi Tech Mt5634hd16 Owners Manual books? Bookstores: Physical bookstores like Barnes & Noble, Waterstones, and independent local stores. Online Retailers: Amazon, Book Depository, and various online bookstores offer a wide range of books in physical and digital formats.
2. What are the different book formats available? Hardcover: Sturdy and durable, usually more expensive. Paperback: Cheaper, lighter, and more portable than hardcovers. E-books: Digital books available for e-readers like Kindle or software like Apple Books, Kindle, and Google Play Books.
3. How do I choose a Multi Tech Mt5634hd16 Owners Manual book to read? Genres: Consider the genre you enjoy (fiction, non-fiction, mystery, sci-fi, etc.). Recommendations: Ask friends, join book clubs, or explore online reviews and recommendations. Author: If you like a particular author, you might enjoy more of their work.
4. How do I take care of Multi Tech Mt5634hd16 Owners Manual books? Storage: Keep them away from direct sunlight and in a dry environment. Handling: Avoid folding pages, use bookmarks, and handle them with clean hands. Cleaning: Gently dust the covers and pages occasionally.
5. Can I borrow books without buying them? Public Libraries: Local libraries offer a wide range of books for borrowing. Book Swaps: Community book exchanges or online platforms where people exchange books.
6. How can I track my reading progress or manage my book collection? Book Tracking Apps: Goodreads, LibraryThing, and Book Catalogue are popular apps for tracking your reading progress and managing book collections. Spreadsheets: You can create your own spreadsheet to track books read, ratings, and other details.
7. What are Multi Tech Mt5634hd16 Owners Manual audiobooks, and where can I find them? Audiobooks: Audio recordings of books, perfect for listening while commuting or multitasking. Platforms: Audible, LibriVox, and Google Play Books offer a wide selection of audiobooks.
8. How do I support authors or the book industry? Buy Books: Purchase books from authors or independent bookstores. Reviews: Leave reviews on platforms like Goodreads or Amazon. Promotion: Share your favorite books on social media or recommend them to friends.
9. Are there book clubs or reading communities I can join? Local Clubs: Check for local book clubs in libraries or community centers. Online Communities: Platforms like Goodreads have virtual book clubs and discussion groups.
10. Can I read Multi Tech Mt5634hd16 Owners Manual books for free? Public Domain Books: Many classic books are available for free as they're in the public domain. Free E-books: Some websites offer free e-books legally, like Project Gutenberg or Open Library.

Find Multi Tech Mt5634hd16 Owners Manual :

[gina wilson all things algebra segments lengths](#)

[getting married in denmark](#)

[gina wilson all things algebra2013worksheet](#)

[gina wilson 2012 adding and subtracting polynomials](#)

[gina wilson 2012 unit 7 homework 7](#)

[getting guide meeting screenwriters](#)

[get htc inspire manual](#)

[girl guide promise certificate template](#)

[gia scala the first gia](#)

[ghost of death](#)

[gifted out of sight out of mind](#)

[gilera runner 125 manual 2015](#)

[gfd private pilot maneuvers manual](#)

[get psalm kicks in the sticks](#)

[gigabyte assassin g1 manual](#)

Multi Tech Mt5634hd16 Owners Manual :

Lila: An Inquiry into Morals Lila: An Inquiry into Morals (1991) is the second philosophical novel by Robert M. Pirsig, who is best known for Zen and the Art of Motorcycle Maintenance. Lila: An Inquiry Into Morals by Robert M. Pirsig It provides a framework for better understanding the role that "Quality" - which is not definable via language - can play in a world dominated by scientific ... Lila: An Inquiry Into Morals (Phaedrus, #2) ... In this best-selling new book, his first in seventeen years, Robert M. Pirsig, author of Zen and the Art of Motorcycle Maintenance, takes us on a poignant ... Lila Quotes by Robert M. Pirsig 24 quotes from Lila: An Inquiry Into Morals (Phaedrus, #2): 'Insanity as an absence of common characteristics is also demonstrated by the Rorschach ink-b... An Inquiry Into Morals' by Robert M. Pirsig? Why or why not? Apr 28, 2023 — Is "Lila: An Inquiry Into Morals" by Robert M. Pirsig worth the read? If you love philosophy, psychology and spirituality, it`s definitely ... Lila: An Inquiry into Morals | Robert M. Pirsig | First Edition Lila: An Inquiry into Morals. ISBN: 0553077376. New York, NY: Bantam Books, 1991. First Edition. Hardcover. "Zen and the Art of Motorcycle Maintenance holds ... Lila: An Inquiry Into Morals by Robert Pirsig Lila is a novel-cum-philosophical tome that wrestles with the issues and

problems of life in the Nineties. Phaedrus, the principle character, is a ... Lila: An Inquiry into Morals, by Robert Pirsig - Erik Torenberg There is no point in anything. Nothing is right and nothing is wrong. Everything just functions, like machinery. There is nothing wrong with ... Lila: An Inquiry into Morals by Robert M. Pirsig, Paperback The author of Zen and the Art of Motorcycle Maintenance examines life's essential issues as he recounts the journey down the Hudson River. Lila: An Inquiry into Morals by Pirsig, Robert 409 pages. First edition, first printing. His sequel to Zen and the Art of Motorcycle Maintenance. He explores morality & what makes life worth living. Business Communication: Building Critical Skills Business Communication: Building Critical Skills was built to provide the ultimate in freedom, flexibility, and focused classroom. Broken into 30 modular ... Business Communication: Building Critical Skills Feb 28, 2013 — Business Communication: Building Critical Skills. 6th Edition. 0073403261 · 9780073403267. By Kitty O. Locker, Stephen Kyo Kaczmarek. © 2014 ... Business Communication - Business - College Business Communication: Building Critical Skills. Higher Education Business Communication: Building Critical Skills 6th Edition By Kitty O. Locker, Stephen ... Business Communication: Building Critical Skills Business Communication: Building Critical Skills is a contemporary, comprehensive, and engaging introduction to the core elements of oral, interpersonal, ... Business Communication: Building Critical Skills 6th edition Business Communication: Building Critical Skills 6th Edition is written by Kitty Locker, Stephen Kaczmarek and published by McGraw-Hill Higher Education. Business Communication Building Critical Skills | Rent COUPON: RENT Business Communication Building Critical Skills 6th edition (9780073403267) and save up to 80% on textbook rentals and 90% on used ... Business communication : building critical skills Business communication : building critical skills ; Authors: Kitty O. Locker, Stephen Kyo Kaczmarek ; Edition: Sixth edition View all formats and editions. Business Communication: Building Critical Skills - Hardcover "Business Communication: Building Critical Skills" by Locker and Kaczmarek represents a unique approach to a hands-on course. Written by the same author of ... Business Communication: Building Critical Skills (Irwin ... Business Communication: Building Critical Skills 6th Find 9780073403267 Business Communication: Building Critical Skills 6th Edition by Kitty Locker et al at over 30 bookstores. Buy, rent or sell. SPSS Survival Manual: A Step by Step Guide to Data ... Presents a guide to the research process, covering such topics as descriptive statistics, correlation, t-tests, factor analysis, and multiple regression. Welcome to the SPSS Survival Manual website The internationally successful, user-friendly guide that takes students and researchers through the often daunting process of analysing research data with ... SPSS Survival Manual | A step by step guide to data ... by J Pallant · 2020 · Cited by 45384 — In her bestselling manual, Julie Pallant guides you through the entire research process, helping you choose the right data analysis technique ... A Step by Step Guide to Data Analysis Using IBM SPSS ... In her bestselling guide, Julie Pallant takes you through the entire ... This edition has been updated to include up to SPSS version 26. From the formulation ... Julie Pallant SPSS Survival Manual SPSS is a powerful tool for data management and statistical analysis and this user-friendly book makes it very accessible.' Dr Polly Yeung,

Aotearoa New Zealand ... About SPSS Survival Manual 5th edition In her bestselling guide, Julie Pallant guides you through the entire research process, helping you choose the right data analysis technique for your project. A Step by Step Guide to Data Analysis Using IBM SPSS Rent SPSS Survival Manual 5th edition (978-0335262588) today, or search our site for other textbooks by Julie Pallant. Every textbook comes with a 21 ... SPSS Survival Manual | A step by ... - Taylor & Francis eBooks by J Pallant · 2020 · Cited by 45281 — In her bestselling guide, Julie Pallant guides you through the entire research process, helping you choose the right data analysis technique for ... SPSS Survival Manual by Julie Pallant (2013, Spiral) All listings for this product · SPSS Survival Manual A Step by Step Guide to Data Analysis Using · SPSS Survival Manual,5e by Pallant, Julie · SPSS Survival Manual ... A step by step guide to data analysis using IBM SPSS ... In her bestselling manual, Julie Pallant guides you through the entire ... Julie discusses basic through to advanced statistical techniques. She outlines ...