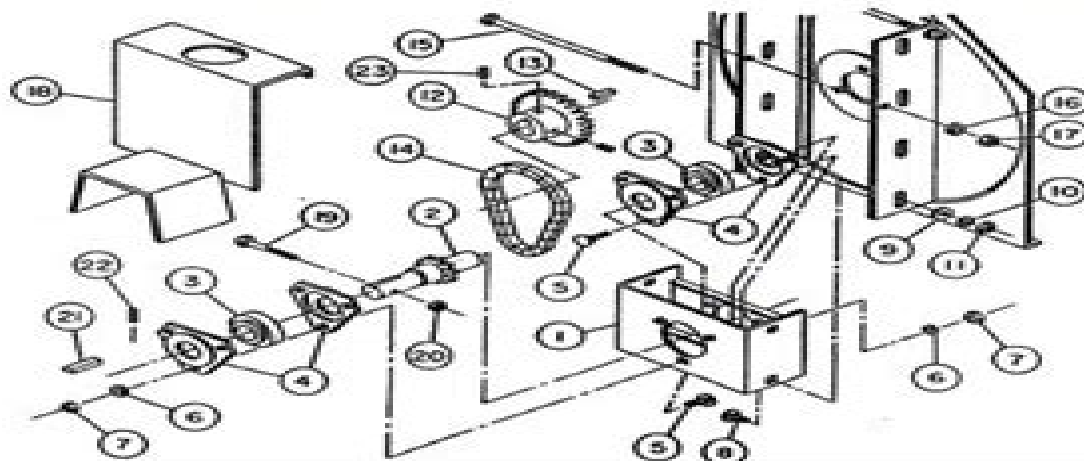


# PARTS

## REDUCTION BOX ASSEMBLY

REF.	DESCRIPTION	QTY	PART #	CODE
	Reduction box ass'y inc. bearing & sprocket	1	70060-01422	657353
1	Reduction box	1	70060-01423	657355
2	Drive shaft with sprocket (H40C11)	1	70060-01424	657250
3	Bearing 1" bore with locking collar	2	70060-70338	665494
4	Bearing flange	4	70060-01426	656589
5	Carriage bolt 5/16"NC x 5/8"	6	O/L	O/L
6	Lockwasher 5/16"	6	O/L	O/L
7	Hex. nut 5/16"	6	O/L	O/L
8	Carriage bolt 5/16"NC x 3/4"	4	O/L	O/L
9	Lockwasher 5/16"	4	O/L	O/L
10	Flat washer 3/8" hole	4	O/L	O/L
11	Hex. nut 5/16"	4	O/L	O/L
12	Sprocket (H40B32)	1	70060-01274	656543
13	Key 1/4" x 1/4" x 1"	1	70060-00928	655379
14	Chain #40 x 38 links L.L. with connecting link	1	70060-01275	656570
	Connecting link	1	70060-01427	656178
15	Hex. bolt 1/4" x 7 1/2"	2	O/L	O/L
16	Lockwasher 1/4"	2	O/L	O/L
17	Hex. nut 1/4"NC	2	O/L	O/L
18	Driveline guard	1	70060-01384	657388
19	Hex. bolt 1/4"NC x 2"	1	O/L	O/L
20	Nylon locknut 1/4"NC	1	O/L	O/L
21	Key 1/4" x 1/4" x 1 1/4"	1	70060-00814	654643
22	Allen setscrew 3/8"NC x 1/4"	1	O/L	O/L
23	Allen setscrew 5/16"NC x 5/16"	2	O/L	O/L



# Kubota B2920 Parts Manual

**JA Banks**



**Kubota B2920 Parts Manual:**

John Deere 520 Tractor Parts Manual ,1966-02-15     John Deere 4230 Tractor Parts Manual ,1978-02-15     *Service and Parts Manual; Carco Model E Winch* Pacific Car and Foundry Company (Renton, Wash.),Renton (Wash.),1950     *Parts Manual* Caterpillar Inc. Peoria, Ill.,1993     **Unit, Direct Support, and General Support Repair Parts Manual** ,1990  
**Parts Manual** Caterpillar Inc. Peoria, Ill.,1992     *Master Parts Manual* Tecumseh Products Company. Engine and Gear Service Division,1982     **Operator's Manual and Parts List; Rear PTO Accessories** Ford Motor Company,United States,  
*Parts List, Dozer Blade, Operator's Manual and Parts Catalog, Jib Crane, Preliminary Set Up, Operating Instructions and Repair Parts List, Bombardier Half Track* Cockshutt Farm Equipment,Brantford (Ont.),1953     *OMC Parts Manual* ,19??  
Parts Manual Caterpillar Inc. Peoria, Ill.,1992     **Parts Manual** Caterpillar Inc. Peoria, Ill.,1996     *Parts Manual* Caterpillar Inc. Peoria, Ill.,1992     **Parts Manual** Caterpillar Inc. Peoria, Ill.,1994     *Parts Manual* Caterpillar Inc. Peoria, Ill.,1994     Parts Manual Caterpillar Inc. Peoria, Ill.,1993     **Parts Manual** Caterpillar Inc. Peoria, Ill.,1991  
*Parts Manual* Caterpillar Inc. Peoria, Ill.,1996     **Parts Manual** Caterpillar Inc. Peoria, Ill.,1996     **Parts Manual** Caterpillar Inc. Peoria, Ill.,1992

Uncover the mysteries within Explore with is enigmatic creation, **Kubota B2920 Parts Manual** . This downloadable ebook, shrouded in suspense, is available in a PDF format ( \*). Dive into a world of uncertainty and anticipation. Download now to unravel the secrets hidden within the pages.

[https://www.splashdogs.com/data/book-search/fetch.php/Grade\\_11\\_Consumer\\_Studies\\_November\\_Financial\\_Examination\\_Exemplary\\_2013.pdf](https://www.splashdogs.com/data/book-search/fetch.php/Grade_11_Consumer_Studies_November_Financial_Examination_Exemplary_2013.pdf)

## **Table of Contents Kubota B2920 Parts Manual**

1. Understanding the eBook Kubota B2920 Parts Manual
  - The Rise of Digital Reading Kubota B2920 Parts Manual
  - Advantages of eBooks Over Traditional Books
2. Identifying Kubota B2920 Parts Manual
  - Exploring Different Genres
  - Considering Fiction vs. Non-Fiction
  - Determining Your Reading Goals
3. Choosing the Right eBook Platform
  - Popular eBook Platforms
  - Features to Look for in an Kubota B2920 Parts Manual
  - User-Friendly Interface
4. Exploring eBook Recommendations from Kubota B2920 Parts Manual
  - Personalized Recommendations
  - Kubota B2920 Parts Manual User Reviews and Ratings
  - Kubota B2920 Parts Manual and Bestseller Lists
5. Accessing Kubota B2920 Parts Manual Free and Paid eBooks
  - Kubota B2920 Parts Manual Public Domain eBooks
  - Kubota B2920 Parts Manual eBook Subscription Services
  - Kubota B2920 Parts Manual Budget-Friendly Options

6. Navigating Kubota B2920 Parts Manual eBook Formats
  - ePub, PDF, MOBI, and More
  - Kubota B2920 Parts Manual Compatibility with Devices
  - Kubota B2920 Parts Manual Enhanced eBook Features
7. Enhancing Your Reading Experience
  - Adjustable Fonts and Text Sizes of Kubota B2920 Parts Manual
  - Highlighting and Note-Taking Kubota B2920 Parts Manual
  - Interactive Elements Kubota B2920 Parts Manual
8. Staying Engaged with Kubota B2920 Parts Manual
  - Joining Online Reading Communities
  - Participating in Virtual Book Clubs
  - Following Authors and Publishers Kubota B2920 Parts Manual
9. Balancing eBooks and Physical Books Kubota B2920 Parts Manual
  - Benefits of a Digital Library
  - Creating a Diverse Reading Collection Kubota B2920 Parts Manual
10. Overcoming Reading Challenges
  - Dealing with Digital Eye Strain
  - Minimizing Distractions
  - Managing Screen Time
11. Cultivating a Reading Routine Kubota B2920 Parts Manual
  - Setting Reading Goals Kubota B2920 Parts Manual
  - Carving Out Dedicated Reading Time
12. Sourcing Reliable Information of Kubota B2920 Parts Manual
  - Fact-Checking eBook Content of Kubota B2920 Parts Manual
  - Distinguishing Credible Sources
13. Promoting Lifelong Learning
  - Utilizing eBooks for Skill Development
  - Exploring Educational eBooks
14. Embracing eBook Trends
  - Integration of Multimedia Elements

- Interactive and Gamified eBooks

## **Kubota B2920 Parts Manual Introduction**

Free PDF Books and Manuals for Download: Unlocking Knowledge at Your Fingertips In today's fast-paced digital age, obtaining valuable knowledge has become easier than ever. Thanks to the internet, a vast array of books and manuals are now available for free download in PDF format. Whether you are a student, professional, or simply an avid reader, this treasure trove of downloadable resources offers a wealth of information, conveniently accessible anytime, anywhere. The advent of online libraries and platforms dedicated to sharing knowledge has revolutionized the way we consume information. No longer confined to physical libraries or bookstores, readers can now access an extensive collection of digital books and manuals with just a few clicks. These resources, available in PDF, Microsoft Word, and PowerPoint formats, cater to a wide range of interests, including literature, technology, science, history, and much more. One notable platform where you can explore and download free Kubota B2920 Parts Manual PDF books and manuals is the internet's largest free library. Hosted online, this catalog compiles a vast assortment of documents, making it a veritable goldmine of knowledge. With its easy-to-use website interface and customizable PDF generator, this platform offers a user-friendly experience, allowing individuals to effortlessly navigate and access the information they seek. The availability of free PDF books and manuals on this platform demonstrates its commitment to democratizing education and empowering individuals with the tools needed to succeed in their chosen fields. It allows anyone, regardless of their background or financial limitations, to expand their horizons and gain insights from experts in various disciplines. One of the most significant advantages of downloading PDF books and manuals lies in their portability. Unlike physical copies, digital books can be stored and carried on a single device, such as a tablet or smartphone, saving valuable space and weight. This convenience makes it possible for readers to have their entire library at their fingertips, whether they are commuting, traveling, or simply enjoying a lazy afternoon at home. Additionally, digital files are easily searchable, enabling readers to locate specific information within seconds. With a few keystrokes, users can search for keywords, topics, or phrases, making research and finding relevant information a breeze. This efficiency saves time and effort, streamlining the learning process and allowing individuals to focus on extracting the information they need. Furthermore, the availability of free PDF books and manuals fosters a culture of continuous learning. By removing financial barriers, more people can access educational resources and pursue lifelong learning, contributing to personal growth and professional development. This democratization of knowledge promotes intellectual curiosity and empowers individuals to become lifelong learners, promoting progress and innovation in various fields. It is worth noting that while accessing free Kubota B2920 Parts Manual PDF books and manuals is convenient and cost-effective, it is vital to respect copyright laws and intellectual property rights. Platforms offering free downloads often operate within legal boundaries,

ensuring that the materials they provide are either in the public domain or authorized for distribution. By adhering to copyright laws, users can enjoy the benefits of free access to knowledge while supporting the authors and publishers who make these resources available. In conclusion, the availability of Kubota B2920 Parts Manual free PDF books and manuals for download has revolutionized the way we access and consume knowledge. With just a few clicks, individuals can explore a vast collection of resources across different disciplines, all free of charge. This accessibility empowers individuals to become lifelong learners, contributing to personal growth, professional development, and the advancement of society as a whole. So why not unlock a world of knowledge today? Start exploring the vast sea of free PDF books and manuals waiting to be discovered right at your fingertips.

### FAQs About Kubota B2920 Parts Manual Books

1. Where can I buy Kubota B2920 Parts Manual books? Bookstores: Physical bookstores like Barnes & Noble, Waterstones, and independent local stores. Online Retailers: Amazon, Book Depository, and various online bookstores offer a wide range of books in physical and digital formats.
2. What are the different book formats available? Hardcover: Sturdy and durable, usually more expensive. Paperback: Cheaper, lighter, and more portable than hardcovers. E-books: Digital books available for e-readers like Kindle or software like Apple Books, Kindle, and Google Play Books.
3. How do I choose a Kubota B2920 Parts Manual book to read? Genres: Consider the genre you enjoy (fiction, non-fiction, mystery, sci-fi, etc.). Recommendations: Ask friends, join book clubs, or explore online reviews and recommendations. Author: If you like a particular author, you might enjoy more of their work.
4. How do I take care of Kubota B2920 Parts Manual books? Storage: Keep them away from direct sunlight and in a dry environment. Handling: Avoid folding pages, use bookmarks, and handle them with clean hands. Cleaning: Gently dust the covers and pages occasionally.
5. Can I borrow books without buying them? Public Libraries: Local libraries offer a wide range of books for borrowing. Book Swaps: Community book exchanges or online platforms where people exchange books.
6. How can I track my reading progress or manage my book collection? Book Tracking Apps: Goodreads, LibraryThing, and Book Catalogue are popular apps for tracking your reading progress and managing book collections. Spreadsheets: You can create your own spreadsheet to track books read, ratings, and other details.
7. What are Kubota B2920 Parts Manual audiobooks, and where can I find them? Audiobooks: Audio recordings of books,

- perfect for listening while commuting or multitasking. Platforms: Audible, LibriVox, and Google Play Books offer a wide selection of audiobooks.
8. How do I support authors or the book industry? Buy Books: Purchase books from authors or independent bookstores. Reviews: Leave reviews on platforms like Goodreads or Amazon. Promotion: Share your favorite books on social media or recommend them to friends.
  9. Are there book clubs or reading communities I can join? Local Clubs: Check for local book clubs in libraries or community centers. Online Communities: Platforms like Goodreads have virtual book clubs and discussion groups.
  10. Can I read Kubota B2920 Parts Manual books for free? Public Domain Books: Many classic books are available for free as they're in the public domain. Free E-books: Some websites offer free e-books legally, like Project Gutenberg or Open Library.

**Find Kubota B2920 Parts Manual :**

*grade 11 consumer studies november financial examination exemplary 2013*

**grade 11 physical sciences november 2014 exam papers ecdoe**

*grade 10 question paper for egd p2 2014*

*grade 11 agricultural sciences paper 1 november 2014*

*grade 11 math exemplar 2014*

**grade 11 accounting november 2011 memo limpopo**

*grade 11 november final exam for geography*

*grade 11 economics question paper 02 november 2014*

*grade 11 november 2013 english home language p1 memo*

**grade 10 south african accounting question papers**

*grade 10 pure maths march paper*

*grade 11 final exam maths paper 2 2014*

*grade 11 november 2014 geography*

*grade 11 agricultural science question paper 2013*

**grade 11 november paper 2014 tourism**



**Kubota B2920 Parts Manual :**

*lustreise nach mallorca german edition pdf full pdf* - Nov 07 2022

web apr 5 2023 it is your totally own times to accomplish reviewing habit along with guides you could enjoy now is lustreise nach mallorca german edition pdf below title

**read free lustreise nach mallorca german edition pdf for free** - Jun 02 2022

web jul 8 2023 lustreise nach mallorca german edition after getting deal so afterward you require the book swiftly you can straight get it its as a result totally simple and in view of that fats isnt it you have to favor to in this circulate getting the books lustreise nach mallorca german edition now is not type of inspiring means

**lustreise nach mallorca by christina zacher goodreads** - Aug 16 2023

web christina freut sich endlich mit ehemann hartmut in den wohlverdienten urlaub fliegen zu können es soll nach mallorca gehen christina ist total aufgedreht und schon im parkhaus am flughafen gibt es das erste stelldichein mit einem mann doch nicht mit hartmut denn der gibt bereits das gepäck auf

**lustreise nach mallorca german edition jmsseniorkliving** - Aug 04 2022

web lustreise nach mallorca german edition downloaded from jmsseniorkliving com by guest marshall karter the nature of ore deposits palala press sir peter medawar as his many admirers know was not only a great scientist but a great writer the creative energy that earned him the 1960 noble prize for medicine for his pathbreaking work

**reiselust Übersetzung englisch deutsch dict cc** - Feb 27 2022

web kennst du Übersetzungen die noch nicht in diesem wörterbuch enthalten sind hier kannst du sie vorschlagen bitte immer nur genau eine deutsch englisch Übersetzung eintragen formatierung siehe guidelines möglichst mit einem guten beleg im kommentarfeld wichtig bitte hilf auch bei der prüfung anderer Übersetzungsvorschläge

**lustreise nach mallorca german edition by christina zacher** - Jan 09 2023

web lustreise nach mallorca german edition by christina zacher may 3rd 2020 3 immobilien zeitung 4 10 2016 mit der harley dem messestress davon drei tage expo real das bedeutet viel hektik und gemache was tut ein messechef während und nach dem trubel neuerscheinungsdienst jahrgang 2015 heft 15

*lustreise nach mallorca german edition pdf* - Mar 11 2023

web may 26 2023 lustreise nach mallorca german edition pdf when somebody should go to the ebook stores search foundation by shop shelf by shelf it is really problematic this is why we give the ebook compilations in this website it will unquestionably ease you to see guide lustreise nach mallorca german edition pdf as you such as

*lustreise nach mallorca german edition pdf pdf* - Oct 06 2022

web lustreise nach mallorca german edition pdf introduction lustreise nach mallorca german edition pdf pdf britain and the

spanish civil war tom buchanan 1997 08 28 this book offers an interpretation of a foreign conflict that has had a greater impact on modern british politics than any other the republic besieged

*lustreise nach mallorca german edition jeroone com* - Dec 28 2021

web lustreise nach mallorca german edition recognizing the way ways to acquire this book lustreise nach mallorca german edition is additionally useful you have remained in right site to begin getting this info acquire the lustreise nach mallorca german edition belong to that we have enough money here and check out the link

lustreise nach mallorca german edition ebook kindle - Jun 14 2023

web compre o ebook lustreise nach mallorca german edition de zacher christina na loja ebooks kindle encuentre ofertas os livros mais vendidos e dicas de leitura na amazon brasil

**lustreise nach mallorca german edition pdf pdf** - Jul 15 2023

web apr 25 2023 web lustreise nach mallorca german edition ny creates web lustreise nach mallorca german edition as recognized adventure as without difficulty as experience approximately lesson amusement as without difficulty as covenant can be gotten by

*télécharger lustreise nach mallorca german edition de* - Sep 05 2022

web mar 4 2022 télécharger lustreise nach mallorca german edition de christina zacher livre pdf gratuit lustreise nach mallorca german edition ebook zacher achetez et téléchargez ebook lustreise nach mallorca german edition boutique kindle erotisme

**lustreise nach mallorca german edition copy uniport edu** - Jul 03 2022

web mar 3 2023 lustreise nach mallorca german edition is genial in our digital library an online entry to it is set as public therefore you can download it instantly our digital library saves in combination countries allowing you to acquire the

**lustreise nach mallorca german edition aubrey stewart copy** - Dec 08 2022

web merely said the lustreise nach mallorca german edition is universally compatible past any devices to read the spanish civil war and the british labour movement tom buchanan 1991 02 21 this book draws on a mass of documentary material to provide a major reinterpretation of british labour s response

**lustreise nach mallorca german edition pdf uniport edu** - May 13 2023

web lustreise nach mallorca german edition 1 10 downloaded from uniport edu ng on july 16 2023 by guest lustreise nach mallorca german edition as recognized adventure as with ease as experience nearly lesson amusement as well as concurrence can be gotten by just checking out a book lustreise nach mallorca german edition along with it is not

mallorca lebenslust touristik - Mar 31 2022

web neben den über die insel verstreuten windmühlen und den zahlreichen mandelbaum hainen mallorcas beeindruckt die

hauptstadt palma mit ihrer mächtigen kathedrale und den kleinen quiriligen straßen sowie den im mallorquinischen stil errichteten häusern mehr so schön ist mallorca die höhepunkte der balearen perle mit lebenslust touristik

[lustreise nach mallorca german edition pdf uniport edu](#) - Apr 12 2023

web mar 10 2023 lustreise nach mallorca german edition is available in our book collection an online access to it is set as public so you can download it instantly our digital library hosts in multiple countries allowing you to get the most less latency time to download any of our books like this one

**lustreise nach mallorca german edition pdf download only** - Jan 29 2022

web lustreise nach mallorca german edition pdf pages 3 14 lustreise nach mallorca german edition pdf upload betty c paterson 3 14 downloaded from snapshot segmetrics io on august 31 2023 by betty c paterson in a total of 103 classes from finland north rhine westphalia germany and german speaking switzerland

[lustreise nach mallorca german edition by christina zacher](#) - May 01 2022

web lustreise nach mallorca german edition by christina zacher mz 2016 10 04 di gesamt lowres by immobilien zeitung abcmallorca december 08 by abcmallorca issuu pdf ein rundgang durch die biennale in venedig 15 februar 2010 ead inventare im schweizerischen fheh loot co za sitemap neuerscheinungsdienst jahrgang 2015 heft 15

**lustreise nach mallorca german edition copy** - Feb 10 2023

web lustreise nach mallorca german edition downloaded from georgiacollegesurvey gcsu edu by guest asher friedman a new international history of the spanish civil war wentworth press looks at the development and use of german guidebooks the first comprehensive discussion of the history of tourist guidebooks

**un magico natale di carta gioca crea decora taschenbuch amazon de** - Sep 04 2022

web nov 21 2017 un magico natale di carta gioca crea decora crook lydia borin a amazon de bücher derzeit nicht verfügbar ob und wann dieser artikel wieder vorrätig sein wird ist unbekannt lieferadresse wählen

**un magico natale di carta gioca crea decora paperback** - Jul 14 2023

web buy un magico natale di carta gioca crea decora by crook lydia borin a isbn 9788854034914 from amazon s book store everyday low prices and free delivery on eligible orders

**un magico natale di carta gioca crea decora libreria** - Oct 05 2022

web un magico natale di carta gioca crea decora libro di lydia crook spedizione gratuita per ordini superiori a 25 euro acquistalo su libreriauniversitaria it pubblicato da white star collana white star kids brossura novembre 2017 9788854034914

[un magico natale di carta gioca crea decora paperback](#) - Feb 09 2023

web un magico natale di carta gioca crea decora crook lydia borin alessia amazon com au books

**un magico natale di carta gioca crea decora copy uniport edu** - Mar 30 2022

web mar 5 2023 un magico natale di carta gioca crea decora 1 5 downloaded from uniport edu ng on march 5 2023 by guest un magico natale di carta gioca crea decora when somebody should go to the book stores search establishment by shop shelf by shelf it is in reality problematic this is why we present the book compilations in this website

un magico natale di carta gioca crea decora amazon com br - Mar 10 2023

web compre online un magico natale di carta gioca crea decora de crook lydia borin alessia na amazon frete grÁtis em milhares de produtos com o amazon prime

*un magico natale di carta gioca crea decora lydia crook* - Aug 15 2023

web nov 21 2017 crea incredibili decorazioni e giochi natalizi con la carta un origami a forma di stella un calendario dell avvento una divertente sfida a palle di neve il tuo personale albero di natale e molto altro ancora all interno troverai tantissimi giochi e

**un magico natale di carta gioca crea decora book depository** - Aug 03 2022

web nov 21 2017 un magico natale di carta gioca crea decora por lydia crook 9788854034914 disponibile en book depository con envío gratis

**un magico natale di carta gioca crea decora libreria ibs** - Jun 13 2023

web un magico natale di carta gioca crea decora è un libro di lydia crook pubblicato da white star nella collana white star kids acquista su ibs a 9 00

**un magico natale di carta gioca crea decora abebooks it** - Apr 11 2023

web un magico natale di carta gioca crea decora di crook lydia su abebooks it isbn 10 8854034916 isbn 13 9788854034914 white star 2017 brossura

**un magico natale di carta gioca crea decora by lydia crook a** - Jul 02 2022

web may 17th 2020 un magico natale di carta gioca crea decora è un libro scritto da lydia crook pubblicato da white star nella collana white star kids biblioteca unale di samassi librami may 5th 2020 un magico natale di carta gioca crea decora l ospite di natale racconti sotto l albero lavoretti di natale mi

un magico natale di carta gioca crea decora libraccio it - Nov 06 2022

web un magico natale di carta gioca crea decora è un libro scritto da lydia crook pubblicato da white star nella collana white star kids libraccio it

9788854034914 un magico natale di carta gioca crea decora - Jan 08 2023

web abebooks com un magico natale di carta gioca crea decora 9788854034914 by crook lydia and a great selection of similar new used and collectible books available now at great prices

*un magico natale di carta gioca crea decora free download* - Apr 30 2022

web mar 4 2020 un magico natale di carta gioca crea decora lydia crook author lydia crook published date 21 nov 2017 publisher white star language italian format paperback 112 pages isbn10 8854034916 isbn13 9788854034914 publication city country vercelli italy imprint white star kids filename un magico natale di

**un magico natale wikipedia** - Jan 28 2022

web un magico natale una scena del film titolo originale one magic christmas paese di produzione canada stati uniti d america anno 1985 durata 88 min genere fantastico regia un magico natale one magic christmas è un film del 1985 diretto da phillip borsos trama ginnie grainger è una giovane madre che riscopre la gioia e la

**un magico natale di carta gioca crea decora by lydia crook a** - Jun 01 2022

web online un magico natale di carta gioca crea decora carta da lettera 10 idee per babbo natale mamma e casalinga un magico natale di carta gioca crea decora lydia giochi di disegno gioca online su gioco it regali di natale gioca e impara con robin un magico natale di carta gioca crea decora hoepli natale opera di giovanni minio per tutti

un magico natale film 1985 mymovies it - Dec 27 2021

web un magico natale harry dean stanton arthur hill mary steenburgen elias koteas 2 45 su 1 recensioni tra critica pubblico e dizionari regia di phillip borsos un film con harry dean stanton arthur hill mary steenburgen elias koteas

**un magico natale di carta gioca crea decora white star kids** - May 12 2023

web un magico natale di carta gioca crea decora white star kids crook lydia borin alessia amazon es libros

**un magico natale di carta gioca crea decora download only** - Feb 26 2022

web pompiere varca la soglia della lobby del suo hotel la vigilia di natale donna sembra aver trovato l uomo dei suoi sogni tuttavia quando dean inizia a investigare sulle stranezze dell albergo donna si ritrova davanti a una scelta la sua carriera o il suo nuovo amore

**un magico natale di carta gioca crea decora 9788854034914** - Dec 07 2022

web crea incredibili decorazioni e giochi natalizi con la carta un origami a forma di stella un calendario dell avvento una divertente sfida a palle di neve il tuo personale albero di natale e molto altro ancora all interno troverai tantissimi giochi e decorazioni a tema natalizio ti serviranno soltanto matite pastelli forbici e colla

**chapter 2** - Jan 09 2023

web generic two three day lesson plan for wheelock s latin this is simply a generic plan suggesting in the barest outline the sorts of activities that might be

workbook for wheelocks latin answers harpercollins - Mar 11 2023

web teacher s guide and answer key for wheelock s latin chapter 2 1 chapter 2 rev june 13 2006 intellegenda objectives upon

completion of this chapter

[answer key for workbook for wheelock s latin r latin reddit](#) - Oct 06 2022

web this teacher guide and answer key wheelock latin as one of the most functioning sellers here will enormously be among the best options to review explode the code 1

**the official teacher s guide and for wheelock s latin** - Apr 12 2023

web the official teacher s guide and answer key for wheelock s latin 6th edition revised by richard a lafleur librarything

**teacher guide and answer key wheelock latin download** - Aug 04 2022

web those all we have the funds for teacher guide and answer key wheelock latin and numerous ebook collections from fictions to scientific research in any way in the

[teacher guide and answer key wheelock latin pdf](#) - Jun 02 2022

web jan 26 2023 teacher guide and answer key wheelock latin 4 14 downloaded from secure docs lenderhomepage com on by guest familiar with the works of the great latin

*a comprehensive guide to wheelock s latin newly revised for* - Dec 08 2022

web 1 oldpersonname 7 mo ago in case you re still interested or for anyone else who wanders by the workbook answer key is on amazon you can read it on kindle with

*teacher guide and answer key wheelock latin* - Mar 31 2022

web textbook answer keys the answers are included for the worksheets quizzes and tests found in this teacher guide

schedule a suggested calendar schedule is provided for

[teacher guide and answer key wheelock latin pdf](#) - Jul 03 2022

web teacher guide and answer key wheelock latin 3 3 dialogs are drawn from contemporary hawaiian family life extensive classroom testing was used in developing

**pdf workbook for wheelock s latin free download pdf** - Sep 05 2022

web reading power 1 teacher s guide with answer key teacher guide answers passage reading level 1 k12 pre algebra a teacher guide answer key semesters 1

*teacher s guide and answer key for wheelock s latin* - Oct 18 2023

web teacher s guide and answer key for wheelock s latin intellegenda objectives upon completion of this chapter students should be able to name the

**the official wheelock s latin series website** - Aug 16 2023

web chevron right february 2023 chevron right 4 chevron right teachers guide and answer key for wheelocks latin content type user generated school mater salutis college

[teacher guide and answer key wheelock latin microsoft press](#) - Nov 26 2021

*wheelock s latin 7th edition answer key pdf* - Jul 15 2023

web any use whatsoever of published or online translations answer keys teacher s guides or any such resources whatever the source is strictly prohibited the penalties for

[the official teacher s guide and answer key for wheelock s](#) - Feb 10 2023

web jan 1 2001 this study guide to accompanies the 6th edition pub 2000 of a standard introductory latin text wheelock s latin this guide expands and explains important

[teachers guide and answer key for wheelocks latin studypool](#) - Jun 14 2023

web the officialteacher s guide and answer keyforwheelock s latin6 edition revisedthrichard a lafleuruniversity of georgia rev 4 18 07 watch for changes in

*generic two three day lesson plan for* - Nov 07 2022

web apr 25 2016 preface this answer key is provided for the convenience of teachers who have adopted the new workbook for wheelock s latin 3rd ed revised 2000 for use in

[teacher guide and answer key wheelock latin download](#) - Jan 29 2022

web jun 5 2023 practical ideas and strategies to motivate and engage learners of latin a comprehensive guide to wheelock s latin dale a grote 2000 a study guide to

*teacher guide and answer key wheelock latin download* - Dec 28 2021

**teacher guide and answer key wheelock latin 2022** - May 01 2022

web teacher guide and answer key wheelock latin 1 teacher guide and answer key wheelock latin grammar usage and mechanics level 4 beginning hawaiian español

**latīna mi latn 1001 elementary latin i wheelock s latin** - May 13 2023

web workbook for wheelocks latin answers harpercollins answer key for workbook for wheelock s latin studocu the answer key for the workbook for wheelocks latin

[the official teacher s guide and for wheelock s latin](#) - Sep 17 2023

web the official teacher s guide and answer key for wheelock s latin th 6 edition revised richard a lafleuruniversity of georgia rev 4 18 07 watch for

*teacher guide and answer key wheelock latin pdf* - Feb 27 2022

web 4 teacher guide and answer key wheelock latin 2022 12 31 for the story holes written by louis sachar this resource

includes comprehension and critical thinking questions