

Škoda

Factory Workshop Manual

As Used By Skoda Garages

DOWNLOAD



Yeti



www.downloadworkshopmanuals.com

Workshop Manual, Diagnosis, Electrical Diagrams, EPC etc



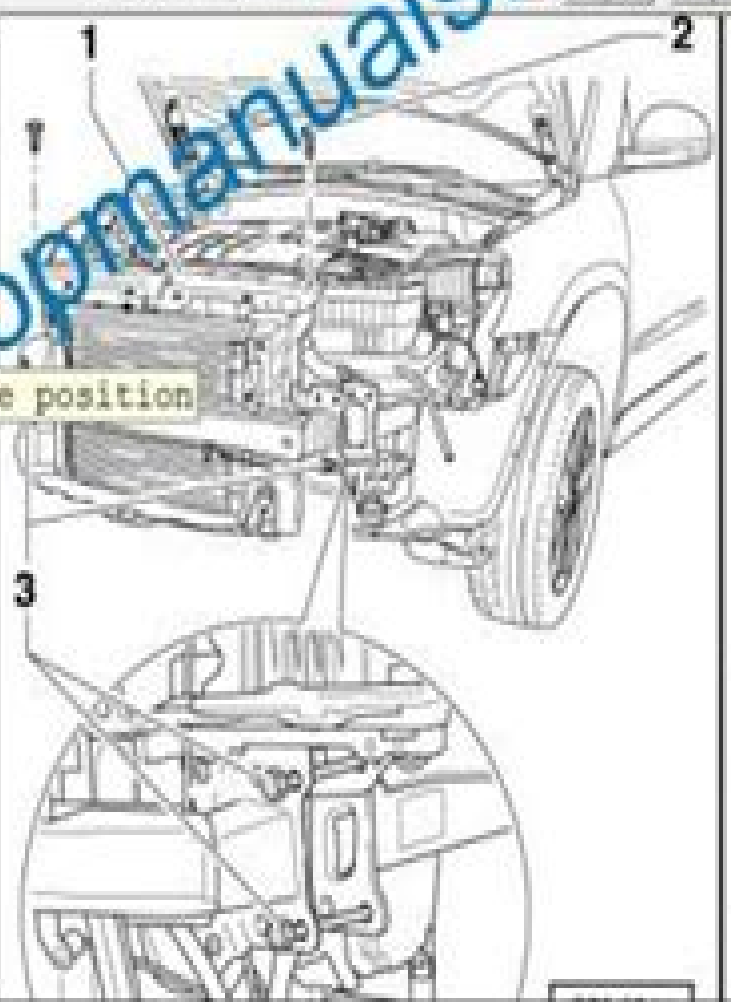
Search item: timing



- Remove screws 2- (9 Nm)
- Pull out the lock carrier -1- forward by about 50 - 70 mm

Installing:

- Install...



Lock carrier with attached parts - service position

Overview of noise insulation

Overview of vehicle floor

- Front wing
- 55 Bonnet, flaps, cab corner
- 57 Front door, door lock
- 58 Rear door, sliding door, window
- 60 Sliding door
- 63 Bumper
- 64 Glazing/window mechanism
- Exterior equipment
- Interior equipment

www.downloadworkshopmanuals.com

Overview /

Document /

Manual For Skoda Yeti

Ian Pickup



Manual For Skoda Yeti:

Model-Driven Engineering Languages and Systems Juergen Dingel, Wolfram Schulte, Isidro Ramos, Silvia Abrahao, Emilio Insfran, 2014-09-19 This book constitutes the refereed proceedings of the 17th International Conference on Model Driven Engineering Languages and Systems MODELS 2014 held in Valencia Spain in September October 2014 The 41 full papers presented in this volume were carefully reviewed and selected from a total of 126 submissions The scope of the conference series is broad encompassing modeling languages methods tools and applications considered from theoretical and practical angles and in academic and industrial settings The papers report on the use of modeling in a wide range of cloud mobile and web computing model transformation behavioral modeling MDE past present future formal semantics specification and verification models at runtime feature and variability modeling composition and adaptation practices and experience modeling for analysis pragmatics model extraction manipulation and persistence querying and reasoning

System Analysis and Modeling: Models and Reusability Daniel Amyot, Pau Fonseca i Casas, Gunter Mussbacher, 2014-09-24 This book constitutes the refereed papers of the proceedings of the 8th International Conference on System Analysis and Modeling SAM 2014 held in Valencia Spain in September 2014 The 18 full papers and the 3 short papers presented together with 2 keynotes were carefully reviewed and selected from 71 submissions The contributions are organized in topical sections named reuse availability safety and optimization sequences and interactions testing metrics constraints and repositories and SDL and V V *Letters From The Open Road (Vol. 1)* Sidharth Sharotri, 2023-01-05 From the completely juvenile yet brilliant mind of Sidharth Sharotri comes a compilation of his serious automobile journalism work which consisted of him driving posh cars and making up stories around them for newspapers These highly technical read not at all technical articles first appeared in a weekly motoring page called Honk in Deccan Chronicle and Asian Age between 2013 and 2015 which this author was exclusively entrusted with Letters from the Open Road does exactly what his newspaper articles did make the reader giggle a little bit while making them wonder if they should chase their own childhood dreams *Automotive Engineering International* ,2005 **Business World** ,2010 **The Car Design Yearbook** ,2005

The Times Index ,2009 Indexes the Times Sunday times and magazine Times literary supplement Times educational supplement Times educational supplement Scotland and the Times higher education supplement Workshop Manual of Skoda ,1988 *Skoda Felicia Service & Repair Manual* Mark Coombs, Robert Jex, 1999 **Skoda Service Shop Manual** ,1968 *Workshop Manual for Skoda 100, 100L, 110L and 110LS, R Passenger Cars* ,1976 Skoda Felicia Owner's Workshop Manual Mark Coombs, R. M. Jex, 2014-01 This guide provides all that the Skoda Felicia owner needs to know to service and maintain their vehicle **Workshop Manual of Skoda 105, 120, 130, 135, 136 and Rapid Passenger Cars** ,1985 **Workshop Manual for Skoda 100, 100L, 110L, 110LS, R Passenger Cars** Skoda, 1972 **Skoda Fabia Service and Repair Manual** A. K. Legg, 2014-06 No further information has been provided for this title **Skoda Octavia**

Diesel Service & Repair Manual, 2004-2012 Chris Randall,2012 Covering both basic and advanced service and maintenance tasks for the Skoda Octavia this garage workbook covers models made between 2004 and 2012 Workshop Manual of Skoda 105S, 105L, 120L and 120LS Passenger Cars ,1976 **Skoda Maintenance Manual for 1101 & 1102 Models** ,195? **HM Skoda Fabia Petrol and Diesel 2007-2014** Pete Gill,2016 **Skoda Octavia** A. K. Legg,2014-07 A maintenance and repair manual for the DIY mechanic

Ignite the flame of optimism with Get Inspired by is motivational masterpiece, Fuel Your Spirit with **Manual For Skoda Yeti** . In a downloadable PDF format (PDF Size: *), this ebook is a beacon of encouragement. Download now and let the words propel you towards a brighter, more motivated tomorrow.

https://www.splashdogs.com/data/virtual-library/fetch.php/ford_service_manual_6_8l_triton.pdf

Table of Contents Manual For Skoda Yeti

1. Understanding the eBook Manual For Skoda Yeti
 - The Rise of Digital Reading Manual For Skoda Yeti
 - Advantages of eBooks Over Traditional Books
2. Identifying Manual For Skoda Yeti
 - Exploring Different Genres
 - Considering Fiction vs. Non-Fiction
 - Determining Your Reading Goals
3. Choosing the Right eBook Platform
 - Popular eBook Platforms
 - Features to Look for in an Manual For Skoda Yeti
 - User-Friendly Interface
4. Exploring eBook Recommendations from Manual For Skoda Yeti
 - Personalized Recommendations
 - Manual For Skoda Yeti User Reviews and Ratings
 - Manual For Skoda Yeti and Bestseller Lists
5. Accessing Manual For Skoda Yeti Free and Paid eBooks
 - Manual For Skoda Yeti Public Domain eBooks
 - Manual For Skoda Yeti eBook Subscription Services
 - Manual For Skoda Yeti Budget-Friendly Options
6. Navigating Manual For Skoda Yeti eBook Formats

- ePub, PDF, MOBI, and More
- Manual For Skoda Yeti Compatibility with Devices
- Manual For Skoda Yeti Enhanced eBook Features
- 7. Enhancing Your Reading Experience
 - Adjustable Fonts and Text Sizes of Manual For Skoda Yeti
 - Highlighting and Note-Taking Manual For Skoda Yeti
 - Interactive Elements Manual For Skoda Yeti
- 8. Staying Engaged with Manual For Skoda Yeti
 - Joining Online Reading Communities
 - Participating in Virtual Book Clubs
 - Following Authors and Publishers Manual For Skoda Yeti
- 9. Balancing eBooks and Physical Books Manual For Skoda Yeti
 - Benefits of a Digital Library
 - Creating a Diverse Reading Collection Manual For Skoda Yeti
- 10. Overcoming Reading Challenges
 - Dealing with Digital Eye Strain
 - Minimizing Distractions
 - Managing Screen Time
- 11. Cultivating a Reading Routine Manual For Skoda Yeti
 - Setting Reading Goals Manual For Skoda Yeti
 - Carving Out Dedicated Reading Time
- 12. Sourcing Reliable Information of Manual For Skoda Yeti
 - Fact-Checking eBook Content of Manual For Skoda Yeti
 - Distinguishing Credible Sources
- 13. Promoting Lifelong Learning
 - Utilizing eBooks for Skill Development
 - Exploring Educational eBooks
- 14. Embracing eBook Trends
 - Integration of Multimedia Elements
 - Interactive and Gamified eBooks

Manual For Skoda Yeti Introduction

Free PDF Books and Manuals for Download: Unlocking Knowledge at Your Fingertips In today's fast-paced digital age, obtaining valuable knowledge has become easier than ever. Thanks to the internet, a vast array of books and manuals are now available for free download in PDF format. Whether you are a student, professional, or simply an avid reader, this treasure trove of downloadable resources offers a wealth of information, conveniently accessible anytime, anywhere. The advent of online libraries and platforms dedicated to sharing knowledge has revolutionized the way we consume information. No longer confined to physical libraries or bookstores, readers can now access an extensive collection of digital books and manuals with just a few clicks. These resources, available in PDF, Microsoft Word, and PowerPoint formats, cater to a wide range of interests, including literature, technology, science, history, and much more. One notable platform where you can explore and download free Manual For Skoda Yeti PDF books and manuals is the internet's largest free library. Hosted online, this catalog compiles a vast assortment of documents, making it a veritable goldmine of knowledge. With its easy-to-use website interface and customizable PDF generator, this platform offers a user-friendly experience, allowing individuals to effortlessly navigate and access the information they seek. The availability of free PDF books and manuals on this platform demonstrates its commitment to democratizing education and empowering individuals with the tools needed to succeed in their chosen fields. It allows anyone, regardless of their background or financial limitations, to expand their horizons and gain insights from experts in various disciplines. One of the most significant advantages of downloading PDF books and manuals lies in their portability. Unlike physical copies, digital books can be stored and carried on a single device, such as a tablet or smartphone, saving valuable space and weight. This convenience makes it possible for readers to have their entire library at their fingertips, whether they are commuting, traveling, or simply enjoying a lazy afternoon at home. Additionally, digital files are easily searchable, enabling readers to locate specific information within seconds. With a few keystrokes, users can search for keywords, topics, or phrases, making research and finding relevant information a breeze. This efficiency saves time and effort, streamlining the learning process and allowing individuals to focus on extracting the information they need. Furthermore, the availability of free PDF books and manuals fosters a culture of continuous learning. By removing financial barriers, more people can access educational resources and pursue lifelong learning, contributing to personal growth and professional development. This democratization of knowledge promotes intellectual curiosity and empowers individuals to become lifelong learners, promoting progress and innovation in various fields. It is worth noting that while accessing free Manual For Skoda Yeti PDF books and manuals is convenient and cost-effective, it is vital to respect copyright laws and intellectual property rights. Platforms offering free downloads often operate within legal boundaries, ensuring that the materials they provide are either in the public domain or authorized for distribution. By adhering to copyright laws, users can enjoy the benefits of free access to knowledge while supporting the authors and publishers who make these resources

available. In conclusion, the availability of Manual For Skoda Yeti free PDF books and manuals for download has revolutionized the way we access and consume knowledge. With just a few clicks, individuals can explore a vast collection of resources across different disciplines, all free of charge. This accessibility empowers individuals to become lifelong learners, contributing to personal growth, professional development, and the advancement of society as a whole. So why not unlock a world of knowledge today? Start exploring the vast sea of free PDF books and manuals waiting to be discovered right at your fingertips.

FAQs About Manual For Skoda Yeti Books

How do I know which eBook platform is the best for me? Finding the best eBook platform depends on your reading preferences and device compatibility. Research different platforms, read user reviews, and explore their features before making a choice. Are free eBooks of good quality? Yes, many reputable platforms offer high-quality free eBooks, including classics and public domain works. However, make sure to verify the source to ensure the eBook credibility. Can I read eBooks without an eReader? Absolutely! Most eBook platforms offer webbased readers or mobile apps that allow you to read eBooks on your computer, tablet, or smartphone. How do I avoid digital eye strain while reading eBooks? To prevent digital eye strain, take regular breaks, adjust the font size and background color, and ensure proper lighting while reading eBooks. What the advantage of interactive eBooks? Interactive eBooks incorporate multimedia elements, quizzes, and activities, enhancing the reader engagement and providing a more immersive learning experience. Manual For Skoda Yeti is one of the best book in our library for free trial. We provide copy of Manual For Skoda Yeti in digital format, so the resources that you find are reliable. There are also many Ebooks of related with Manual For Skoda Yeti. Where to download Manual For Skoda Yeti online for free? Are you looking for Manual For Skoda Yeti PDF? This is definitely going to save you time and cash in something you should think about. If you trying to find then search around for online. Without a doubt there are numerous these available and many of them have the freedom. However without doubt you receive whatever you purchase. An alternate way to get ideas is always to check another Manual For Skoda Yeti. This method for see exactly what may be included and adopt these ideas to your book. This site will almost certainly help you save time and effort, money and stress. If you are looking for free books then you really should consider finding to assist you try this. Several of Manual For Skoda Yeti are for sale to free while some are payable. If you arent sure if the books you would like to download works with for usage along with your computer, it is possible to download free trials. The free guides make it easy for someone to free access online library for download books to your device. You can get free download on free trial for lots of books categories. Our library is the biggest of these that have literally hundreds of thousands of different products categories represented. You will also see that

there are specific sites catered to different product types or categories, brands or niches related with Manual For Skoda Yeti. So depending on what exactly you are searching, you will be able to choose e books to suit your own need. Need to access completely for Campbell Biology Seventh Edition book? Access Ebook without any digging. And by having access to our ebook online or by storing it on your computer, you have convenient answers with Manual For Skoda Yeti To get started finding Manual For Skoda Yeti, you are right to find our website which has a comprehensive collection of books online. Our library is the biggest of these that have literally hundreds of thousands of different products represented. You will also see that there are specific sites catered to different categories or niches related with Manual For Skoda Yeti So depending on what exactly you are searching, you will be able to choose ebook to suit your own need. Thank you for reading Manual For Skoda Yeti. Maybe you have knowledge that, people have search numerous times for their favorite readings like this Manual For Skoda Yeti, but end up in harmful downloads. Rather than reading a good book with a cup of coffee in the afternoon, instead they juggled with some harmful bugs inside their laptop. Manual For Skoda Yeti is available in our book collection an online access to it is set as public so you can download it instantly. Our digital library spans in multiple locations, allowing you to get the most less latency time to download any of our books like this one. Merely said, Manual For Skoda Yeti is universally compatible with any devices to read.

Find Manual For Skoda Yeti :

~~ford service manual 6-81 triton~~

~~form 1 english exam paper~~

forms of energy cut and paste activity

~~formes de lintelligence les~~

~~ford tractor brake diagram~~

~~fort stewart holiday schedule 2014~~

~~ford v10 belt diagram~~

forde ferrier lesson 1 ecosystems 5th grade

~~forklift yale manual~~

forecast function in excel 2010

~~ford sierra 1991 repair service manual~~

ford stereo wiring diagram

~~foreign fruit jojo moyes~~

~~ford transit 2008 gearbox manual~~

forged in steele kgi series book 7

Manual For Skoda Yeti :

structural analysis of automotive chassis frame and design - May 23 2022

web total load acting on chassis capacity of the chassis weight of body and engine 98100 19620 117720 n chassis has two beams so load acting on each beam is half of the total load acting on the chassis load acting on the single frame 117720 2
design and analysis of heavy commercial vehicle chassis - Aug 26 2022

web the result of its stress analysis shows the accuracy of the prediction life of truck chassis automotive chassis is generally made up of a steel frame which holds the body and motor of the vehicle automobile chassis is also made up of light sheet metal aluminum or composite plastics

design and analysis of truck chassis frame iosr journals - Feb 17 2022

web iv basic calculation for chassis frame model no tata 1612 side bar of the chassis are made from c channels with 116mm x 25mm x 5 mm front overhang a 740 mm rear overhang c 1400 mm wheel base b 6670 mm material of the chassis is st 52 e 2 10 x 105 n mm²

design and analysis of car chassis tjprc - Jun 23 2022

web the chassis is like a skeleton of car body which give support to the outer body engine and other elements of the vehicle design of chassis depends upon load of the vehicle and the limit of maximum speed of the vehicle force considered on the chassis always is equal to the rate of change of momentum of the body during the impact during the

design and analysis of chassis of four seater car researchgate - Jul 25 2022

web aug 17 2021 1 rectangular section 2 square section 3 tube section 4 c channel the different materials are chosen like aluminum alloy stainless steel iron carbon structural steel etc here

chassis design principles and analysis sae ebooks ieee - Sep 07 2023

web book abstract chassis design principles and analysis is based on Olley's technical writings and is the first complete presentation of his life and work this new book provides insight into the development of chassis technology and its practical application by a master

design and development of chassis for formula student vehicle - Dec 30 2022

web oct 1 2020 abstract and figures a chassis design involves selecting optimum measures of parts and iterating it to achieve the objectives assumed every part of the chassis is related to each other it is

design analysis of automobile chassis ijesit com - Oct 28 2022

web the modeling is done using catia and analysis is done using ansys the overhangs of the chassis are calculated for the

stresses and deflections analytically are compared with the results obtained with the analysis software keywords automobile chassis chassis loads modeling structural analysis

automobile chassis design and calculations google books - Sep 26 2022

web automobile chassis design and calculations p p lukin g a gasparjanc v f rodionov mir publishers 1989 automobiles 407 pages

finite element analysis in automobile chassis design - Jul 05 2023

web mar 1 2019 this paper presents a procedure to simulate the complex dynamics of a 29 seat bus chassis using finite elements analysis in ansys software the results of this simulation are then used to verify

design and analysis of automotive chassis considering cross - Jun 04 2023

web may 30 2015 pdf the automotive chassis serves as a frame work for supporting the body and different parts of the automobile also it has to withstand the shock find read and cite all the

pdf structural analysis of automotive chassis frame and design - Oct 08 2023

web may 1 2012 the design of the chassis is then optimized using taguchi design of experiments doe the optimization techniques used are the central composite design ccd scheme and optimal space

structural analysis and optimization of heavy vehicle chassis - Mar 01 2023

web aug 20 2021 optimization techniques can be used in systematic design improvement of chassis to meet industry requirements the current research is intended to optimize the design of chassis using the box behnken design scheme and the material tested is p100 6061 al and al ga 7 230 mmc different design points were generated using the

pdf structural analysis of automotive chassis considering - Apr 02 2023

web nov 8 2015 the chassis is considered to be the backbone of the vehicle 4 the body of a vehicle is flexibly molded according to the structure of the chassis the chassis design is resistance to bending

design and analysis of car chassis researchgate - Nov 28 2022

web aug 1 2017 abstract this work is a step to find out the best optimized design of a car chassis taking material of pipe pipe diameter and the thickness of pipe as prime parameter we have accomplished this

stress analysis of automotive chassis using hypermesh and - Jan 31 2023

web sep 2 2020 1 introduction the automotive chassis is an important part of an automobile the chassis is a pillar for reinforcing the body and other parts of the automobile the chassis of an automobile gives strength and steadiness to the vehicle under different conditions and it also decides the overall shape of the vehicle

structural analysis of automotive chassis design modification - Apr 21 2022

web abstract chassis is a part of automobile vehicle which is used to support various components such as engine gearbox

clutch propeller shaft brakes fuel tank etc it is used to propel the vehicle

automotive chassis frame structural analysis and design - Mar 21 2022

web deflection are important criteria for the design of the chassis in this thesis work is performed towards the optimization of the automotive chassis with constraints automobile chassis usually refers to the lower body of the vehicle including the tires engine frame driveline and suspension

the automotive chassis volume 1 components design springer - Aug 06 2023

web back to top this textbook offers a coherent and comprehensive analysis of the automotive chassis it describes the single components including brake steering suspension and transmission subsystems their design and testing this is design and numerical analysis of a chassis - May 03 2023

web abstract current scenario an automotive industry facing a challenges like structural failure and fatigue failure of a chassis the frame structure is a backbone of an on road vehicles a chassis carried complete powertrain system which includes radiator engine and propeller shaft rear axle

quadratic word problems mr free s math domain - May 11 2023

web 1 a fireworks rocket is launched from a hill above a lake the rocket will fall into the lake after exploding at its maximum height the rocket s height above the surface of the lake

solve each equation with the quadratic formula kuta software - Sep 15 2023

web kuta software infinite algebra 1 name using the quadratic formula date period solve each equation with the quadratic formula 1 m2 5m 14 0 2 b2 4b 4 0 3 2m2 2m 12 0 4 2x2 3x 5 0 5 x2 4x 3 0 6 2x2 3x 20 0

quadratic word problems factored form video khan academy - Nov 05 2022

web the 2 and the 18 are the solutions to the quadratic function which in this case means that this will be either a real 18 or hypothetical 2 time when the rocket is on ground level

infinite algebra 1 kuta software - Oct 04 2022

web infinite algebra 1 covers all typical algebra material over 90 topics in all from adding and subtracting positives and negatives to solving rational equations suitable for any class

quadratic word problems worksheet kuta - Dec 26 2021

web feb 17 2023 quadratic word problems worksheet kuta february 17 2023 by tamble quadratic word problems worksheet kuta quadratic equations can be solved with

10 7 quadratic word problems age and numbers - Jul 01 2022

web quadratic based word problems are the third type of word problems covered in matq 1099 with the first being linear equations of one variable and the second linear equations

quadratic word problems lcsnc org - Feb 25 2022

web quadratic word problems 1 jason jumped off a cliff into the ocean in acapulco while vacationing with some friends his height as a function of time could be modeled by the

systems of equations word problems kuta software - Dec 06 2022

web l worksheet by kuta software llc kuta software infinite algebra 1 name systems of equations word problems date period 1 find the value of two numbers if

free printable math worksheets for algebra 1 kuta software - Jun 12 2023

web finding angles of triangles finding side lengths of triangles statistics visualizing data center and spread of data scatter plots using statistical models free algebra 1

two step word problems kuta software - Mar 09 2023

web f worksheet by kuta software llc kuta software infinite pre algebra name two step equation word problems date period 1 331 students went on a field

quadratic word problems tuscaloosa county school district - Nov 24 2021

web quadratic word problems name date t t2 0r1 4q wkcuycat xsdoyfkt wkaprren lulxcr l c taolvz hrmiigqhtt sv rr ekscejrov exdh 1 1 a

quadratic word problems mathemaddox - Jul 13 2023

web worksheet by kuta software llc 3 answers to quadratic word problems 1 y x 3 2 22 y x 6 2 53 y 2 x 11 2 4 4 y 1 2 x 8 2 12 5 y 1 3 x 17 2

quadratic word problems lyonmath weebly com - Sep 03 2022

web 1 a fireworks rocket is launched from a hill above a lake the rocket will fall into the lake after exploding at its maximum height the rocket s height above the surface of the lake

unit 6 quadratic word problems birdvilleschools net - May 31 2022

web quadratic word problems date pages text title practice day 3 tue feb 22 day 4 wed feb 23 2 3 quadratic word problems handout day 1 thu feb 24 day 2 fri feb

free printable math worksheets for algebra 2 kuta software - Apr 10 2023

web fast and easy to use multiple choice free response never runs out of questions multiple version printing free 14 day trial windows macos basics order of operations

quadratic word problems standard form practice khan academy - Jan 07 2023

web quadratic word problems standard form google classroom you might need calculator rui is a professional deep water free diver his altitude in meters relative to sea level x seconds after diving is modeled by $d = x^2 - 2x + 10$

work word problems date period kuta software - Aug 02 2022

web worksheet by kuta software llc kuta software infinite algebra 2 work word problems name date period solve each question round your answer to the

quadratic equations word problem algebra video khan - Mar 29 2022

web a good technique is to try to sketch the circumstances in the problem and then think carefully about what s happening the problem says you are 50 feet above the ground

work word problems kuta software - Feb 08 2023

web kuta software infinite algebra 1 name work word problems date period solve each question round your answer to the nearest hundredth 1

quadratic word problems worksheets online free pdfs - Apr 29 2022

web explore math program quadratic word problems worksheets worksheets aid in improving the problem solving skills of students in turn guiding the kids to learn and

quadratic word problems lancaster high school - Aug 14 2023

web 8 the length of a rectangle is 5 inches more than twice a number the width is 4 inches less than the same number if the area of the rectangle is 15 find the number quadratic

quadratic equation word problems worksheet kuta - Jan 27 2022

web aug 1 2022 this worksheet will teach you how to solve quadratic problems using the quadratic formula this formula is the most efficient way to solve quadratic equations

der gute gott von manhattan horspiel von bachmann ingeborg - Jul 22 2022

web das hörspiel handelt von einem grenzfall einer liebesgeschichte in den 50er jahren die an die grenzen der herrschenden ordnung stößt vor dem hintergrund des kalten

der gute gott von manhattan hörspiel gebundene ausgabe - Nov 25 2022

web jun 24 2016 der gute gott von manhattan hörspiel german edition kindle edition by bachmann ingeborg download it once and read it on your kindle device pc phones or

der gute gott von manhattan br podcast - Sep 04 2023

web der gute gott von manhattan preisgekröntes hörspiel von ingeborg bachmann mit mario adorf horst frank und hans clarin pidax hörspiel klassiker ingeborg bachmann

der gute gott von manhattan hörspiel kindle ausgabe amazon de - Apr 30 2023

web höre der gute gott von manhattan kostenlos hörspiel von ingeborg bachmann gelesen von mario adorf horst frank hans clarin karl lieffen jetzt gratis hörspiel auf

[der gute gott von manhattan horspiel abebooks](#) - Dec 15 2021

der gute gott von manhattan hörspiel google play - Dec 27 2022

web worldcat is the world s largest library catalog helping you find library materials online

[der gute gott von manhattan hörspiel amazon de bücher](#) - Jun 20 2022

web der gute gott von manhattan horspiel find all books from bachmann ingeborg at find more books com you can find used antique and new books compare results and

der gute gott von manhattan hörspiel hardcover abebooks - May 20 2022

web der gute gott von manhattan hörspiel von bachmann ingeborg bei abebooks de isbn 10 3763243860 isbn 13 9783763243860 büchergilde gutenbergs 1995 hardcover

der gute gott von manhattan hörspiel google books - Oct 25 2022

web der gute gott von manhattan hörspiel mit e nachw von otto f best von bachmann ingeborg und eine große auswahl ähnlicher bücher kunst und sammlerstücke

[der gute gott von manhattan hörspiel hardcover abebooks](#) - Feb 14 2022

web finde hilfreiche kundenrezensionen und rezensionsbewertungen für der gute gott von manhattan hörspiel auf amazon de lese ehrliche und unvoreingenommene

[amazon de kundenrezensionen der gute gott von manhattan](#) - Nov 13 2021

der gute gott von manhattan hörspiel zvab - Jan 16 2022

der gute gott von manhattan hörspiel german edition kindle - Aug 23 2022

web der gute gott von manhattan hörspiel isbn 13 9783763243860 der gute gott von manhattan hörspiel hardcover bachmann ingeborg hardcover isbn 10

9783150079065 der gute gott von manhattan horspiel - Mar 18 2022

web der gute gott von manhattan ein hörspiel von bachmann ingeborg und eine große auswahl ähnlicher bücher kunst und sammlerstücke erhältlich auf abebooks de

[der gute gott von manhattan hörspiel goodreads](#) - Mar 30 2023

web der gute gott von manhattan hörspiel ebook written by ingeborg bachmann read this book using google play books app on your pc android ios devices download for

der gute gott von manhattan hörspiel worldcat org - Feb 26 2023

web der gute gott von manhattan von ingeborg bachmann lektüreschlüssel mit inhaltsangabe interpretation
prüfungsaufgaben mit lösungen lern glossar reclam

der gute gott von manhattan preisgekröntes hörspiel von - Jun 01 2023

web der gute gott von manhattan ho rspiel author ingeborg bachmann summary the good god of manhattan a character in
this radio play is on trial for plotting the murder of two

der gute gott von manhattan hörspiel amazon de - Jul 02 2023

web ingeborg bachmann gehört zu den schöpfern des modernen hörspiels als selbstständige literar der gute gott von
manhattan hörspiel ingeborg bachmann

der gute gott von manhattan hörspiel worldcat org - Sep 23 2022

web wir verwenden diese cookies auch um nachzuvollziehen wie kunden unsere dienste nutzen z b durch messung der
websiteaufrufe damit wir verbesserungen vornehmen

der gute gott von manhattan horspiel book pivotid uvu - Apr 18 2022

web der gute gott von manhattan hörspiel bachmann ingeborg verlag münchen r piper 1958 gutes exemplar sprache deutsch
gewicht in gramm 300 orig pappe nach

der gute gott von manhattan audible de - Jan 28 2023

web jun 24 2016 der gute gott von manhattan das berühmteste hörspiel entstand 1957 und erhielt 1959 den hörspielpreis
der kriegsblinden eine dichtung die uns das herz

hörspiel pool der gute gott von manhattan ard - Aug 03 2023

web der gute gott von manhattan das berühmteste hörspiel entstand 1957 und erhielt 1959 den hörspielpreis der
kriegsblinden eine dichtung die uns das herz trifft und die

der gute gott von manhattan wikipedia - Oct 05 2023

web ingeborg bachmann ist die schöpferin des modernen hörspiels dieses ist eine literarische form bachmann ist durch der
gute gott von manhattan berühmt geworden das