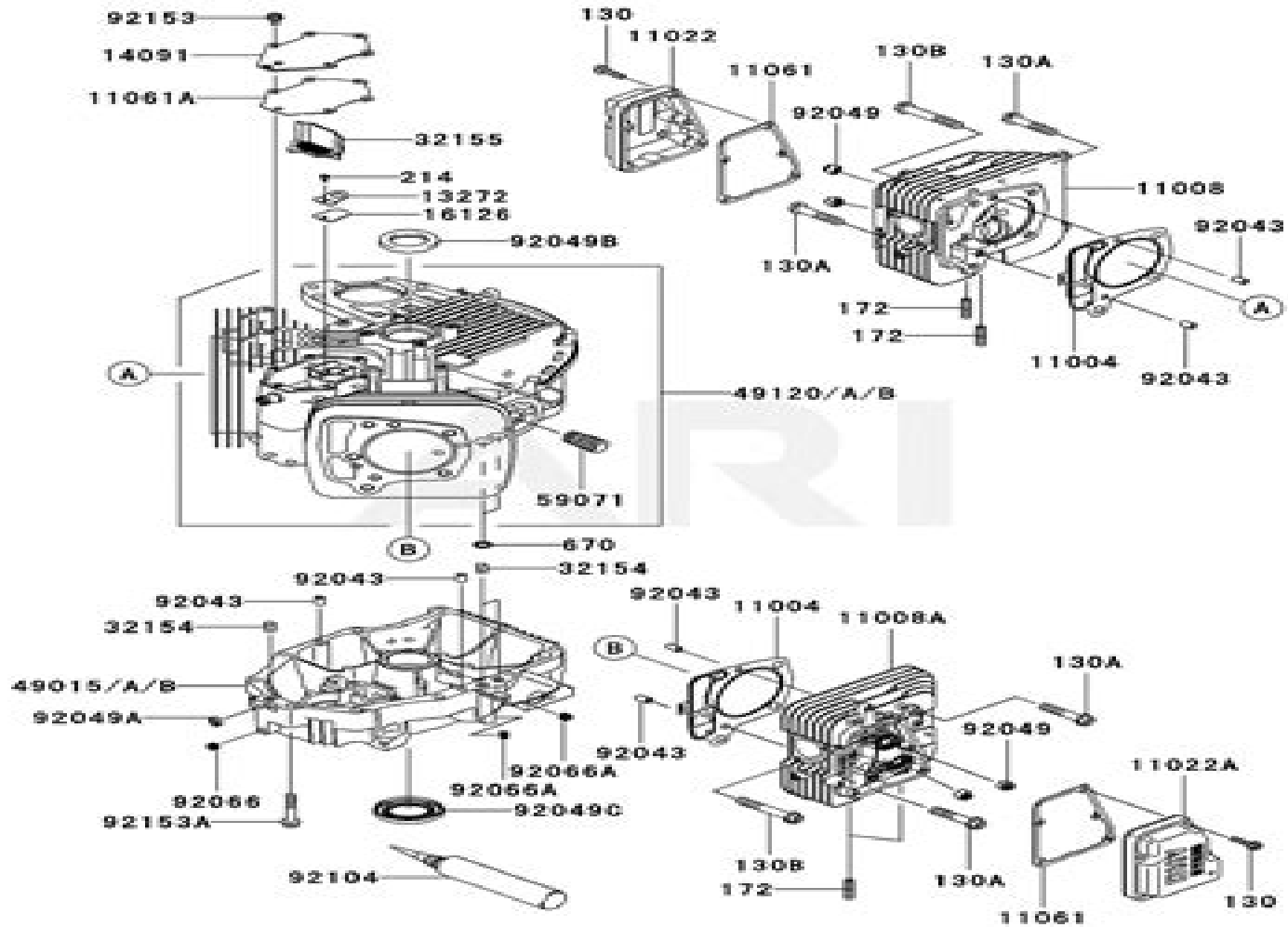


E0110-A652G



Kawasaki Lawn Mower Alternator Wiring

Arturo Cuomo



Kawasaki Lawn Mower Alternator Wiring:

Popular Science ,1973-11 Popular Science gives our readers the information and tools to improve their technology and their world The core belief that Popular Science and our readers share The future is going to be better and science and technology are the driving forces that will help make it better Popular Mechanics ,1978-04 Popular Mechanics inspires instructs and influences readers to help them master the modern world Whether it s practical DIY home improvement tips gadgets and digital technology information on the newest cars or the latest breakthroughs in science PM is the ultimate guide to our high tech lifestyle **Popular Science** ,1981 **Popular Science** ,1981-07 Popular Science gives our readers the information and tools to improve their technology and their world The core belief that Popular Science and our readers share The future is going to be better and science and technology are the driving forces that will help make it better

Farmers and Consumers Market Bulletin ,2011

Immerse yourself in the artistry of words with Experience Art with its expressive creation, **Kawasaki Lawn Mower Alternator Wiring** . This ebook, presented in a PDF format (Download in PDF: *), is a masterpiece that goes beyond conventional storytelling. Indulge your senses in prose, poetry, and knowledge. Download now to let the beauty of literature and artistry envelop your mind in a unique and expressive way.

https://www.splashdogs.com/data/publication/Documents/introduction_to_linear_optimization_bertsimas_instructor_manual.pdf

Table of Contents Kawasaki Lawn Mower Alternator Wiring

1. Understanding the eBook Kawasaki Lawn Mower Alternator Wiring
 - The Rise of Digital Reading Kawasaki Lawn Mower Alternator Wiring
 - Advantages of eBooks Over Traditional Books
2. Identifying Kawasaki Lawn Mower Alternator Wiring
 - Exploring Different Genres
 - Considering Fiction vs. Non-Fiction
 - Determining Your Reading Goals
3. Choosing the Right eBook Platform
 - Popular eBook Platforms
 - Features to Look for in an Kawasaki Lawn Mower Alternator Wiring
 - User-Friendly Interface
4. Exploring eBook Recommendations from Kawasaki Lawn Mower Alternator Wiring
 - Personalized Recommendations
 - Kawasaki Lawn Mower Alternator Wiring User Reviews and Ratings
 - Kawasaki Lawn Mower Alternator Wiring and Bestseller Lists
5. Accessing Kawasaki Lawn Mower Alternator Wiring Free and Paid eBooks
 - Kawasaki Lawn Mower Alternator Wiring Public Domain eBooks
 - Kawasaki Lawn Mower Alternator Wiring eBook Subscription Services

- Kawasaki Lawn Mower Alternator Wiring Budget-Friendly Options
- 6. Navigating Kawasaki Lawn Mower Alternator Wiring eBook Formats
 - ePub, PDF, MOBI, and More
 - Kawasaki Lawn Mower Alternator Wiring Compatibility with Devices
 - Kawasaki Lawn Mower Alternator Wiring Enhanced eBook Features
- 7. Enhancing Your Reading Experience
 - Adjustable Fonts and Text Sizes of Kawasaki Lawn Mower Alternator Wiring
 - Highlighting and Note-Taking Kawasaki Lawn Mower Alternator Wiring
 - Interactive Elements Kawasaki Lawn Mower Alternator Wiring
- 8. Staying Engaged with Kawasaki Lawn Mower Alternator Wiring
 - Joining Online Reading Communities
 - Participating in Virtual Book Clubs
 - Following Authors and Publishers Kawasaki Lawn Mower Alternator Wiring
- 9. Balancing eBooks and Physical Books Kawasaki Lawn Mower Alternator Wiring
 - Benefits of a Digital Library
 - Creating a Diverse Reading Collection Kawasaki Lawn Mower Alternator Wiring
- 10. Overcoming Reading Challenges
 - Dealing with Digital Eye Strain
 - Minimizing Distractions
 - Managing Screen Time
- 11. Cultivating a Reading Routine Kawasaki Lawn Mower Alternator Wiring
 - Setting Reading Goals Kawasaki Lawn Mower Alternator Wiring
 - Carving Out Dedicated Reading Time
- 12. Sourcing Reliable Information of Kawasaki Lawn Mower Alternator Wiring
 - Fact-Checking eBook Content of Kawasaki Lawn Mower Alternator Wiring
 - Distinguishing Credible Sources
- 13. Promoting Lifelong Learning
 - Utilizing eBooks for Skill Development
 - Exploring Educational eBooks
- 14. Embracing eBook Trends

- Integration of Multimedia Elements
- Interactive and Gamified eBooks

Kawasaki Lawn Mower Alternator Wiring Introduction

In today's digital age, the availability of Kawasaki Lawn Mower Alternator Wiring books and manuals for download has revolutionized the way we access information. Gone are the days of physically flipping through pages and carrying heavy textbooks or manuals. With just a few clicks, we can now access a wealth of knowledge from the comfort of our own homes or on the go. This article will explore the advantages of Kawasaki Lawn Mower Alternator Wiring books and manuals for download, along with some popular platforms that offer these resources. One of the significant advantages of Kawasaki Lawn Mower Alternator Wiring books and manuals for download is the cost-saving aspect. Traditional books and manuals can be costly, especially if you need to purchase several of them for educational or professional purposes. By accessing Kawasaki Lawn Mower Alternator Wiring versions, you eliminate the need to spend money on physical copies. This not only saves you money but also reduces the environmental impact associated with book production and transportation. Furthermore, Kawasaki Lawn Mower Alternator Wiring books and manuals for download are incredibly convenient. With just a computer or smartphone and an internet connection, you can access a vast library of resources on any subject imaginable. Whether you're a student looking for textbooks, a professional seeking industry-specific manuals, or someone interested in self-improvement, these digital resources provide an efficient and accessible means of acquiring knowledge. Moreover, PDF books and manuals offer a range of benefits compared to other digital formats. PDF files are designed to retain their formatting regardless of the device used to open them. This ensures that the content appears exactly as intended by the author, with no loss of formatting or missing graphics. Additionally, PDF files can be easily annotated, bookmarked, and searched for specific terms, making them highly practical for studying or referencing. When it comes to accessing Kawasaki Lawn Mower Alternator Wiring books and manuals, several platforms offer an extensive collection of resources. One such platform is Project Gutenberg, a nonprofit organization that provides over 60,000 free eBooks. These books are primarily in the public domain, meaning they can be freely distributed and downloaded. Project Gutenberg offers a wide range of classic literature, making it an excellent resource for literature enthusiasts. Another popular platform for Kawasaki Lawn Mower Alternator Wiring books and manuals is Open Library. Open Library is an initiative of the Internet Archive, a non-profit organization dedicated to digitizing cultural artifacts and making them accessible to the public. Open Library hosts millions of books, including both public domain works and contemporary titles. It also allows users to borrow digital copies of certain books for a limited period, similar to a library lending system. Additionally, many universities and educational institutions have their own digital libraries that provide free access to PDF books and manuals. These libraries often offer academic texts, research papers, and

technical manuals, making them invaluable resources for students and researchers. Some notable examples include MIT OpenCourseWare, which offers free access to course materials from the Massachusetts Institute of Technology, and the Digital Public Library of America, which provides a vast collection of digitized books and historical documents. In conclusion, Kawasaki Lawn Mower Alternator Wiring books and manuals for download have transformed the way we access information. They provide a cost-effective and convenient means of acquiring knowledge, offering the ability to access a vast library of resources at our fingertips. With platforms like Project Gutenberg, Open Library, and various digital libraries offered by educational institutions, we have access to an ever-expanding collection of books and manuals. Whether for educational, professional, or personal purposes, these digital resources serve as valuable tools for continuous learning and self-improvement. So why not take advantage of the vast world of Kawasaki Lawn Mower Alternator Wiring books and manuals for download and embark on your journey of knowledge?

FAQs About Kawasaki Lawn Mower Alternator Wiring Books

1. Where can I buy Kawasaki Lawn Mower Alternator Wiring books? Bookstores: Physical bookstores like Barnes & Noble, Waterstones, and independent local stores. Online Retailers: Amazon, Book Depository, and various online bookstores offer a wide range of books in physical and digital formats.
2. What are the different book formats available? Hardcover: Sturdy and durable, usually more expensive. Paperback: Cheaper, lighter, and more portable than hardcovers. E-books: Digital books available for e-readers like Kindle or software like Apple Books, Kindle, and Google Play Books.
3. How do I choose a Kawasaki Lawn Mower Alternator Wiring book to read? Genres: Consider the genre you enjoy (fiction, non-fiction, mystery, sci-fi, etc.). Recommendations: Ask friends, join book clubs, or explore online reviews and recommendations. Author: If you like a particular author, you might enjoy more of their work.
4. How do I take care of Kawasaki Lawn Mower Alternator Wiring books? Storage: Keep them away from direct sunlight and in a dry environment. Handling: Avoid folding pages, use bookmarks, and handle them with clean hands. Cleaning: Gently dust the covers and pages occasionally.
5. Can I borrow books without buying them? Public Libraries: Local libraries offer a wide range of books for borrowing. Book Swaps: Community book exchanges or online platforms where people exchange books.
6. How can I track my reading progress or manage my book collection? Book Tracking Apps: Goodreads, LibraryThing, and Book Catalogue are popular apps for tracking your reading progress and managing book collections. Spreadsheets:

You can create your own spreadsheet to track books read, ratings, and other details.

7. What are Kawasaki Lawn Mower Alternator Wiring audiobooks, and where can I find them? Audiobooks: Audio recordings of books, perfect for listening while commuting or multitasking. Platforms: Audible, LibriVox, and Google Play Books offer a wide selection of audiobooks.
8. How do I support authors or the book industry? Buy Books: Purchase books from authors or independent bookstores. Reviews: Leave reviews on platforms like Goodreads or Amazon. Promotion: Share your favorite books on social media or recommend them to friends.
9. Are there book clubs or reading communities I can join? Local Clubs: Check for local book clubs in libraries or community centers. Online Communities: Platforms like Goodreads have virtual book clubs and discussion groups.
10. Can I read Kawasaki Lawn Mower Alternator Wiring books for free? Public Domain Books: Many classic books are available for free as they're in the public domain. Free E-books: Some websites offer free e-books legally, like Project Gutenberg or Open Library.

Find Kawasaki Lawn Mower Alternator Wiring :

~~introduction to linear optimization bertsimas instructor manual~~

~~introduction to oilfield water technology~~

~~introduction to nuclear engineering solution 3rd edition~~

inventory listing for automatic transmission service

introduction to logic copi solutions manual

introductory chemistry 4th edition russo answers

introduction to radar systems 3rd edition

introductory statistics gould

investigating monomials practice problems page 4 of 4

introduction to hydrology 5th edition solutions manual

investment analysis management 8th edition

introduction to computing systems patt patel solutions

investigations math differentiated guide for kindergarten

investigation manual weather studies answers 2015

introduction to engineering thermodynamics 2nd edition solution

Kawasaki Lawn Mower Alternator Wiring :

microeconomia moderna koutsoyiannis pdf pdf scribd - Sep 04 2022

web *microeconomia moderna koutsoyiannis pdf free ebook download as pdf file pdf or view presentation slides online*

modern microeconomics a koutsoyiannis - Aug 15 2023

web feb 19 2018 *microeconomie moderne par a koutsoyiannis est une enquete approfondie sur la microeconomie contemporain a la fois pour les etudiants debutants pour les avances ou pour des professionnels d economie les etudiants avances desireux d etendre leurs connaissances au dela des limites prevues de ce livre devraient se plonger dans la*

modern microeconomics a koutsoyiannis google books - Jul 02 2022

web *modern microeconomics a koutsoyiannis springer nov 1 1975 business economics 462 pages preview this book*

modern microeconomics springerlink - Apr 11 2023

web *average cost pricing a critique of the neoclassical theory of the firm the marginalist controversy a koutsoyiannis pages 256 270 a representative model of average cost pricing a koutsoyiannis pages 271 281*

modern microeconomics koutsoyiannis a free download - Jan 08 2023

web *xiii 462 pages 24 cm access restricted item true addeddate 2021 03 04 22 05 33 boxid ia40027420 camera*

modern microeconomics koutsoyiannis a amazon com tr kitap - Feb 26 2022

web *modern microeconomics koutsoyiannis a amazon com tr kitap Çerez tercihlerinizi seçin Çerez bildirimimizde ayrıntılı şekilde açıklandığı üzere alışveriş yapmanızı sağlamak alışveriş deneyiminizi iyileştirmek ve hizmetlerimizi sunmak için gerekli olan çerezleri ve benzer araçları kullanırız*

modern microeconomics koutsoyiannis a free download - Jun 13 2023

web *koutsoyiannis a publication date 1979 topics microeconomics publisher london macmillan collection inlibrary printdisabled internetarchivebooks contributor internet archive language english xvii 581p 25cm previous ed 1975 bibliography p 553 569 includes index access restricted item true addeddate 2023 02 18 19 17 42*

modern microeconomics by a koutsoyiannis alibris - Dec 27 2021

web *this work is written at an intermediate level and is designed for undergraduate microeconomics courses postgraduate courses in which microeconomic theory is taught at not too specialized a level can also make use of the text the book is presented in three parts part 1 examines the behaviour of the consumer and other buyers and develops*

microeconomía moderna koutsoyiannis academia edu - Feb 09 2023

web *enter the email address you signed up with and we ll email you a reset link*

a koutsoyiannis open library - Mar 30 2022

web *oct 4 2017 author of theory of econometrics modern microeconomics non price decisions theory of econometrics goals*

of oligopolistic firms input output table of the greek economy year 1960 the impact of multinational firms on prices and costs in host country markets *microeconomía moderna*

modern microeconomics by a koutsoyiannis open library - Apr 30 2022

web sep 17 2022 *modern microeconomics 2d ed by a koutsoyiannis* 5 00 2 ratings 22 want to read 4 currently reading 2 have read *modern micro economics* publish date 1979 publisher st martin s press language english pages 581 previews available in english subjects microeconomics microéconomie people a koutsoyiannis showing 8

microeconomia moderna koutsoyiannis academia edu - Mar 10 2023

web *microeconomia moderna koutsoyiannis monserrat camacho* esta nueva edición incluye en su parte tercera tres temas importantes omitidos en la primera edición la teoría de los factores la teoría teoría del equilibrio general y la teoría del bienestar

modern microeconomics by a koutsoyiannis pdf pdf scribd - Jul 14 2023

web xa son hce biel ret *modern microeconomics a koutsoyiannis professor of economics university of waterloo ontario i a koutsoyiannis 1975 al ight reset*

moderna mikroekonomika a koutsoyiannis google books - Oct 05 2022

web a koutsoyiannis *marketing tehnologija 1996 0 reviews reviews aren t verified but google checks for and removes fake content when it s identified what people are saying write a review moderna mikroekonomika a koutsoyiannis marketing tehnologija 1996 0 reviews*

microeconomía moderna a koutsoyiannis google books - May 12 2023

web *microeconomía moderna a koutsoyiannis amorrortu editores españa sl 2002 business economics 656 pages este libro ya un clásico en su género contiene una exposición detallada de la*

microeconomía moderna economia a koutsoyiannis - Jun 01 2022

web este libro ya un clásico en su género contiene una exposición detallada de la *microeconomía tradicional y moderna trata en particular de los modelos de conducta de las unidades económicas básicas de consumidores y productores poniendo el acento en el tema del oligopolio la estructura de mercado típica del mundo industrial de nuestros*

anna koutsoyiannis microeconomía moderna amorrortu editores - Aug 03 2022

web *anna koutsoyiannis microeconomía moderna amorrortu editores 2002 pdf free ebook download as pdf file pdf or view presentation slides online scribd is the world s largest social reading and publishing site*

mod micro econ 2e springerlink - Nov 06 2022

web about this book content style and academic level combine to make this a book that is well aimed at a large market second and third year basic microeconomic courses for specialist economists and for joint honours students

[microeconomía moderna por a koutsoyiannis 9789505186372](#) - Jan 28 2022

web microeconomía moderna por a koutsoyiannis isbn 9789505186372 tema economía editorial amorrortu este libro ya un clásico en su género contiene una exposición detallada de la microeconomía tradicional y moderna

[modern microeconomics a koutsoyiannis google books](#) - Dec 07 2022

web modern microeconomics a koutsoyiannis macmillan 1979 microeconomics 581 pages content style and academic level combine to make this a book that is well aimed at a large market second

king of bollywood shah rukh khan and the seductive world of - Nov 04 2022

web here is a true story of bollywood a sweeping portrait of a country finding its identity a movie industry that changed the face of india and one man s struggle to become a star shah rukh khan s larger than life tale takes us through the colorful and idiosyncratic bollywood movie industry where fantastic dreams and outrageous obsessions share

who is the real king of bollywood find out here news - Jan 26 2022

web may 27 2023 shah rukh khan born on november 2 1965 is an immensely popular indian actor and film producer who primarily works in hindi films he is widely known in the media as the baadshah of bollywood and king khan with a career spanning over three decades he has appeared in more than 90 films and has garnered numerous

king of bollywood shah rukh khan and the seductive world of indian - Sep 02 2022

web aug 2 2007 king of bollywood is the all singing all dancing back stage pass to bollywood anupama chopra chronicles the political and cultural story of india with finesse and insight through fly on wall access to one of its biggest most charming and charismatic stars gurinder chadha director of bend it like beckham

shah rukh khan indian heartthrob and king of bollywood france 24 - Feb 07 2023

web feb 3 2023 shah rukh khan indian heartthrob and king of bollywood mumbai afp shah rukh khan is bollywood s most popular star and at 57 still its biggest sex symbol whose silver screen repertoire of

king of bollywood wikipedia - Jun 30 2022

web king of bollywood is a 2004 british indian english and hindi language comedy film written edited directed and produced by piyush jha starring om puri in the lead role the film is a satire of the hindi film industry bollywood

king of bollywood 2004 full cast crew imdb - Mar 28 2022

web directed by piyush jha directed by writing credits cast in credits order produced by music by smoke music cinematography by hari nair director of photography editing by suresh pai casting by sarah bird casting director uk art direction by sonal suresh sawant costume design by anshu aurora makeup department

king enjoyed royal ballet so much he couldn t stop tapping his - Sep 21 2021

web nov 8 2023 the king enjoyed a performance by the royal ballet so much that he could not stop tapping his feet under

the seat as he was impressed by the show s energy the king and queen visited the

buy king of bollywood shah rukh khan and the seductive - Apr 28 2022

web buy king of bollywood shah rukh khan and the seductive world of indian cinema book online at low prices in india king of bollywood shah rukh khan and the seductive world of indian cinema reviews ratings amazon in books arts film photography cinema broadcast buy new 2 668 00 m r p 36 000 00 save

shah rukh khan imdb - Jul 12 2023

web during his years in the bollywood film industry he won eight filmfare best actor awards which is highest by any actor and had significant box office success some of his films include kuch kuch hota hai 1998 om shanti om 2007 and chak de *king of bollywood shah rukh khan and the seductive wor* - Mar 08 2023

web sep 10 2007 king of bollywood shah rukh khan and the seductive world of indian cinema anupama chopra 3 80 721 ratings90 reviews here is the astonishing true story of bollywood a sweeping portrait about a country finding its identity a movie industry that changed the face of india and one man s struggle to become a star

prime video king of bollywood - Dec 25 2021

web king of bollywood is a super hit bollywood musical comedy hindi movie directed by piyush jha starring om puri sophie dahl and murli sharma in the lead roles the film is a satire of the hindi film industry a british journalist crystal chaurasia approaches a yesteryear bollywood star to make a film on his life crystal follows the star as he

shah rukh khan is king of bollywood salman khan - May 10 2023

web aug 1 2014 superstar salman khan who has been delivering hit films back to back feels his arch rival shah rukh khan is the king of bollywood salman has become the first bollywood actor to give seven rs 100 crore hit films

king of bollywood by anupama chopra open library - May 30 2022

web aug 2 2007 king of bollywood edit here is the astonishing true story of bollywood a sweeping portrait about a country finding its identity a movie industry that changed the face of india and one man s struggle to become a star

king of bollywood google books - Feb 24 2022

web king of bollywood shah rukh khan and the seductive world of indian cinema anupama chopra warner 2007 motion picture actors and actresses 250 pages here is the astonishing a story of bollywood a sweeping portrait about a country finding its identity a movie industry that changed the face of india and one man s struggle to become a star

hail to shah rukh khan king of bollywood culture trip - Jan 06 2023

web oct 19 2016 hail to shah rukh khan king of bollywood culture trip hail to shah rukh khan king of bollywood lauren england 19 october 2016 shah rukh khan is one of india s most famous and beloved film stars he s called srk by his fans and recognized as the king of bollywood by the public here s what else you need to know about

king of bollywood shah rukh khan and the seductive world of - Oct 03 2022

web oct 2 2007 king of bollywood shah rukh khan and the seductive world of indian cinema anupama chopra google books anupama chopra grand central publishing oct 2 2007 performing arts 272 pages

the kissing booth jacob elordi ridicules the films while his - Oct 23 2021

web 1 day ago jacob elordi never wanted to be a part of films like the kissing booth trilogy jacob elordi got his breakthrough with the film the kissing booth which was released in 2018 even though the film made him and his co star joey king one of the most loved on screen couples jacob never wanted to do a film like that he said

shah rukh khan wikipedia - Oct 15 2023

web signature shah rukh khan pronounced 'ʃɑːfrʊx xɑːn born 2 november 1965 also known by the initialism srk is an indian actor and film producer who works in hindi films referred to in the media as the baadshah of bollywood and king khan a he has appeared in more than 90 films and earned numerous accolades

this indian rapper known as king of rap played villain in south - Nov 23 2021

web nov 7 2023 the king of rap is widely acclaimed to be the first indian rapper and started his career in 1990 he also directed songs for bollywood movies like bhoot uncle 2006 and nalaik 2005 and anchored the tv show santa and banta news unlimited on zoom

meet shah rukh khan if you haven t heard of the bollywood - Apr 09 2023

web sep 21 2023 who is shah rukh khan get to know the global superstar los angeles times movies meet shah rukh khan if you haven t heard of the bollywood superstar it s about time you did bollywood

khans of bollywood wikipedia - Sep 14 2023

web the term khans of bollywood refers to several actors of bollywood the mumbai based hindi language indian film industry whose surnames are khan most commonly this involves the three khans shah rukh khan aamir khan and salman khan

king of bollywood book wikipedia - Aug 13 2023

web king of bollywood is a biography by the film critic and journalist anupama chopra chronicling the life and career of shah rukh khan the book describes his personal life such as his birth in 1965 in new delhi and his marriage to gauri chibber in 1991

10 reasons why shah rukh khan is still the king of bollywood - Jun 11 2023

web nov 3 2015 khan who has starred in several box office hits in his 25 year career has managed to hang on to the title bollywood ka badshah king of bollywood we look at 10 reasons why he remains top of the game 1 he is one of the richest actors in the world

15 times shah rukh khan proved why he is called the king of bollywood - Dec 05 2022

web nov 2 2019 15 times shah rukh khan proved why he is called the king of bollywood curated by anurag verma news18 com last updated november 02 2019 10 49 ist image credits reuters happy birthday king shah rukh khan needs no introduction that is how he was introduced recently by hollywood s david letterman for

an outsider to king of bollywood shah rukh khan s success - Aug 01 2022

web jan 29 2023 an outsider to king of bollywood how shah rukh khan became a living legend to millions of fans long before he became a living legend shah rukh khan was once standing at marine drive when he looked across the sea at the setting sun and declared i ll rule this city one day and as the popular dialogue of his film om shanti

empath control your emotions and relationships ov 2022 - Mar 07 2023

web empath control your emotions and relationships ov downloaded from pantera adecco com by guest dillon siena empath a complete survival guide on how to control and develop your gift finding your sense of self for sensitive people independently published

empath control your emotions and relationships overcome - May 29 2022

web sep 9 2023 empaths are at risk for adrenal fatigue judith orloff md five ways an empath will sabotage their relationships 3 ways that narcissists destroy empaths all the traits and signs of an empath are you one empath control your emotions and relationships overe why empathic people struggle with romantic relationships 17 survival tips

empath control your emotions and relationships ov download - Aug 12 2023

web straightforward guide to taking control of your emotions being aware of and in control of your emotions is one of the keys to success in life both professionally and personally emotional intelligence for dummies will show you how to take control of your emotions rather than letting your emotions control you discover how developing your

[empath control your emotions and relationships ov pdf](#) - Oct 02 2022

web numerous time for their favorite books later this empath control your emotions and relationships ov but stop taking place in harmful downloads rather than enjoying a good book past a cup of coffee in the afternoon otherwise they juggled subsequently some harmful virus inside their computer empath control your emotions and

empathy how to feel and respond to the emotions of others helpguide org - Apr 08 2023

web oct 11 2023 empathy helps you see things from another s perspective sympathize with their emotions and build stronger relationships here s how to become more empathetic get help

empath control your emotions and relationships ov - Mar 27 2022

web empath control your emotions and relationships ov i am an empath second edition a year of gratitude journal empath empath overthinking vagus nerve empath empath s emotional intelligence guide empath empath healing empaths and narcissistic abuse an empath s blueprint for life the empath s survival guide master your emotions

[empath control your emotions and relationships ov download](#) - Jun 10 2023

web relationships how we can get comfortable in relationships about life and loving each other how you can undermine the presence of someone s life in your life it begins with you as a person before you can even go further that you should always give everything that you have don t undermined love for someone in your life

empath control your emotions and relationships ov leanne - Feb 23 2022

web download and install empath control your emotions and relationships ov therefore simple empath melody annesley 2020 04 21 do you want to understand the balance between honoring your real feeling and experience for

emotional triggers for empaths what are they and how to - Jan 05 2023

web nov 28 2021 here as an empath you can learn to trust your intuition and understand that it s ok to disappoint others sometimes especially when your mental health is on the line 3 too much intimacy too much intimacy can also be an emotional trigger for empaths most empaths love the idea of intimacy and connection

[empath control your emotions and relationships ov sharon](#) - Nov 03 2022

web empath control your emotions and relationships ov is available in our book collection an online access to it is set as public so you can get it instantly our book servers hosts in multiple locations allowing you to get the most less latency time to download any of our books like this one

5 big problems empaths have in romantic relationships mindbodygreen - May 09 2023

web jul 28 2020 do a loving self inventory to see if there s a pattern of feeling responsible for your partner s emotions or trying to control their emotions with awareness and tools these self sabotaging patterns can shift dramatically and positively

empath control your emotions and relationships ov hannah white - Apr 27 2022

web empath control your emotions and relationships ov right here we have countless books empath control your emotions and relationships ov and collections to check out we additionally offer variant types and along with type of the books to browse the all right book fiction history novel

empath control your emotions and relationships ov pdf - Dec 04 2022

web if you ally habit such a referred empath control your emotions and relationships ov ebook that will provide you worth get the no question best seller from us currently from several preferred authors

empath control your emotions and relationships ov pdf - Oct 14 2023

web empath control your emotions and relationships ov the emotional toolkit jan 20 2020 have you ever been stuck in a bad mood are you often helpless to stop your mind s negative thinking can you find peace when you re feeling overwhelmed imagine what life would be like if you had an emotional toolkit when confused

what is an empath and how do you know if you are one - Jul 11 2023

web mar 15 2023 if you relate to the description of an empath and if you find yourself constantly taking on the emotions of others it s important to learn how to protect your own psyche and separate yourself from the outside world so that you can breathe heal and experience your own emotions

how to love an empath 15 secrets of loving an empath - Jun 29 2022

web may 17 2023 let them be who they are when you are learning how to love an empath you need to let them be who they are do not try to change them or tell them how they are acting wrong they will likely seem sensitive be avoidant of certain situations and might keep a distance from you at times but these are all things that you should expect this is

what it really means to be an empath 12 signs types more - Feb 06 2023

web aug 16 2021 empaths don t just pick up the energy of people but even physical spaces as well richardson notes an empath will be very affected by particular spaces and how they re maintained this can be a good or bad thing with a positive environment feeling very uplifting but a negative one feeling particularly suffocating 11

empath control your emotions and relationships ov - Jul 31 2022

web feb 27 2023 control your emotions and relationships ov as a result simple i am an empath second edition joshua moore 2017 07 27 second edition first edition over 50 000 downloads i am an empath is an empathy guide on managing emotional anxiety coping with being over emotional and using intuition to benefit from this sensitivity in

empath control your emotions and relationships overcome - Sep 13 2023

web empath control your emotions and relationships overcome fear and anxiety human psychology book 2 english edition by theresa chang empaths and addiction from alcohol to overeating here are 10 reasons most people can t handle an empath advice for an empath recovering from narcissistic abuse empath master your emotions reduce

empath control your emotions and relationships ov pdf - Sep 01 2022

web may 22 2023 empath control your emotions and relationships ov 2 21 downloaded from uniport edu ng on may 22 2023 by guest your inner self improve your relationships and gain a firm handle on your emotions with no nonsense practical advice here s a snippet of what you re going to learn in this eye opening book surefire signs