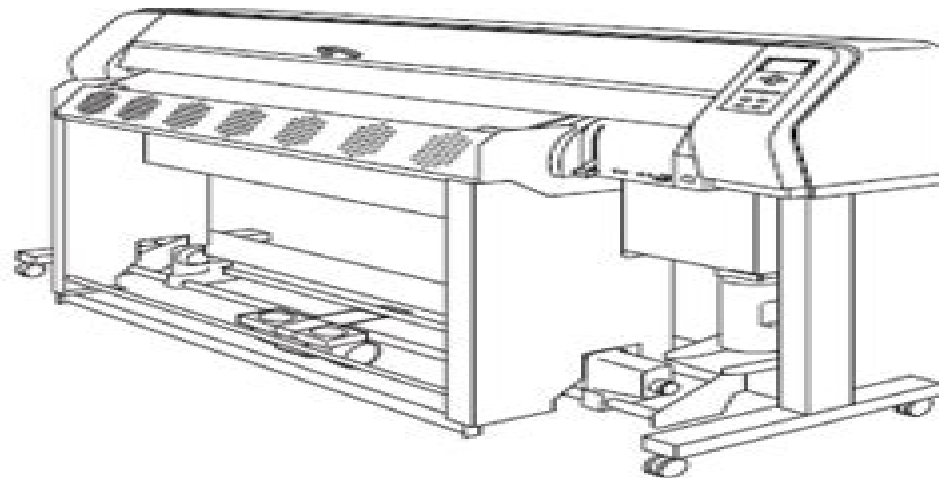


Mimaki

# **JV3-160SP**

---

## **OPERATION MANUAL**



**MIMAKI ENGINEERING CO., LTD.**

TKB Gotenyama Building, 5-9-41, Kitashinagawa, Shinagawa-ku, Tokyo 141-0001, Japan

Phone: +81-3-5420-8671 Fax: +81-3-5420-8687

URL: <http://www.mimaki.co.jp/>

E-mail: [trading@mimaki.co.jp](mailto:trading@mimaki.co.jp)

D200913

# Mimaki Jv3 Manual

**Xiang Xie**



**Mimaki Jv3 Manual:**

## Unveiling the Magic of Words: A Review of "**Mimaki Jv3 Manual**"

In a world defined by information and interconnectivity, the enchanting power of words has acquired unparalleled significance. Their ability to kindle emotions, provoke contemplation, and ignite transformative change is actually awe-inspiring. Enter the realm of "**Mimaki Jv3 Manual**," a mesmerizing literary masterpiece penned with a distinguished author, guiding readers on a profound journey to unravel the secrets and potential hidden within every word. In this critique, we shall delve to the book is central themes, examine its distinctive writing style, and assess its profound effect on the souls of its readers.

[https://www.splashdogs.com/book/virtual-library/Documents/lincoln\\_welder\\_ac\\_225\\_manual.pdf](https://www.splashdogs.com/book/virtual-library/Documents/lincoln_welder_ac_225_manual.pdf)

### **Table of Contents Mimaki Jv3 Manual**

1. Understanding the eBook Mimaki Jv3 Manual
  - The Rise of Digital Reading Mimaki Jv3 Manual
  - Advantages of eBooks Over Traditional Books
2. Identifying Mimaki Jv3 Manual
  - Exploring Different Genres
  - Considering Fiction vs. Non-Fiction
  - Determining Your Reading Goals
3. Choosing the Right eBook Platform
  - Popular eBook Platforms
  - Features to Look for in an Mimaki Jv3 Manual
  - User-Friendly Interface
4. Exploring eBook Recommendations from Mimaki Jv3 Manual
  - Personalized Recommendations
  - Mimaki Jv3 Manual User Reviews and Ratings
  - Mimaki Jv3 Manual and Bestseller Lists

5. Accessing Mimaki Jv3 Manual Free and Paid eBooks
  - Mimaki Jv3 Manual Public Domain eBooks
  - Mimaki Jv3 Manual eBook Subscription Services
  - Mimaki Jv3 Manual Budget-Friendly Options
6. Navigating Mimaki Jv3 Manual eBook Formats
  - ePub, PDF, MOBI, and More
  - Mimaki Jv3 Manual Compatibility with Devices
  - Mimaki Jv3 Manual Enhanced eBook Features
7. Enhancing Your Reading Experience
  - Adjustable Fonts and Text Sizes of Mimaki Jv3 Manual
  - Highlighting and Note-Taking Mimaki Jv3 Manual
  - Interactive Elements Mimaki Jv3 Manual
8. Staying Engaged with Mimaki Jv3 Manual
  - Joining Online Reading Communities
  - Participating in Virtual Book Clubs
  - Following Authors and Publishers Mimaki Jv3 Manual
9. Balancing eBooks and Physical Books Mimaki Jv3 Manual
  - Benefits of a Digital Library
  - Creating a Diverse Reading Collection Mimaki Jv3 Manual
10. Overcoming Reading Challenges
  - Dealing with Digital Eye Strain
  - Minimizing Distractions
  - Managing Screen Time
11. Cultivating a Reading Routine Mimaki Jv3 Manual
  - Setting Reading Goals Mimaki Jv3 Manual
  - Carving Out Dedicated Reading Time
12. Sourcing Reliable Information of Mimaki Jv3 Manual
  - Fact-Checking eBook Content of Mimaki Jv3 Manual
  - Distinguishing Credible Sources
13. Promoting Lifelong Learning

- Utilizing eBooks for Skill Development
  - Exploring Educational eBooks
14. Embracing eBook Trends
- Integration of Multimedia Elements
  - Interactive and Gamified eBooks

### **Mimaki Jv3 Manual Introduction**

In today's digital age, the availability of Mimaki Jv3 Manual books and manuals for download has revolutionized the way we access information. Gone are the days of physically flipping through pages and carrying heavy textbooks or manuals. With just a few clicks, we can now access a wealth of knowledge from the comfort of our own homes or on the go. This article will explore the advantages of Mimaki Jv3 Manual books and manuals for download, along with some popular platforms that offer these resources. One of the significant advantages of Mimaki Jv3 Manual books and manuals for download is the cost-saving aspect. Traditional books and manuals can be costly, especially if you need to purchase several of them for educational or professional purposes. By accessing Mimaki Jv3 Manual versions, you eliminate the need to spend money on physical copies. This not only saves you money but also reduces the environmental impact associated with book production and transportation. Furthermore, Mimaki Jv3 Manual books and manuals for download are incredibly convenient. With just a computer or smartphone and an internet connection, you can access a vast library of resources on any subject imaginable. Whether you're a student looking for textbooks, a professional seeking industry-specific manuals, or someone interested in self-improvement, these digital resources provide an efficient and accessible means of acquiring knowledge. Moreover, PDF books and manuals offer a range of benefits compared to other digital formats. PDF files are designed to retain their formatting regardless of the device used to open them. This ensures that the content appears exactly as intended by the author, with no loss of formatting or missing graphics. Additionally, PDF files can be easily annotated, bookmarked, and searched for specific terms, making them highly practical for studying or referencing. When it comes to accessing Mimaki Jv3 Manual books and manuals, several platforms offer an extensive collection of resources. One such platform is Project Gutenberg, a nonprofit organization that provides over 60,000 free eBooks. These books are primarily in the public domain, meaning they can be freely distributed and downloaded. Project Gutenberg offers a wide range of classic literature, making it an excellent resource for literature enthusiasts. Another popular platform for Mimaki Jv3 Manual books and manuals is Open Library. Open Library is an initiative of the Internet Archive, a non-profit organization dedicated to digitizing cultural artifacts and making them accessible to the public. Open Library hosts millions of books, including both public domain works and contemporary titles. It also allows users to borrow digital copies of certain books for a limited period, similar to a library.

lending system. Additionally, many universities and educational institutions have their own digital libraries that provide free access to PDF books and manuals. These libraries often offer academic texts, research papers, and technical manuals, making them invaluable resources for students and researchers. Some notable examples include MIT OpenCourseWare, which offers free access to course materials from the Massachusetts Institute of Technology, and the Digital Public Library of America, which provides a vast collection of digitized books and historical documents. In conclusion, Mimaki Jv3 Manual books and manuals for download have transformed the way we access information. They provide a cost-effective and convenient means of acquiring knowledge, offering the ability to access a vast library of resources at our fingertips. With platforms like Project Gutenberg, Open Library, and various digital libraries offered by educational institutions, we have access to an ever-expanding collection of books and manuals. Whether for educational, professional, or personal purposes, these digital resources serve as valuable tools for continuous learning and self-improvement. So why not take advantage of the vast world of Mimaki Jv3 Manual books and manuals for download and embark on your journey of knowledge?

### FAQs About Mimaki Jv3 Manual Books

**What is a Mimaki Jv3 Manual PDF?** A PDF (Portable Document Format) is a file format developed by Adobe that preserves the layout and formatting of a document, regardless of the software, hardware, or operating system used to view or print it.

**How do I create a Mimaki Jv3 Manual PDF?** There are several ways to create a PDF: Use software like Adobe Acrobat, Microsoft Word, or Google Docs, which often have built-in PDF creation tools. Print to PDF: Many applications and operating systems have a "Print to PDF" option that allows you to save a document as a PDF file instead of printing it on paper. Online converters: There are various online tools that can convert different file types to PDF.

**How do I edit a Mimaki Jv3 Manual PDF?** Editing a PDF can be done with software like Adobe Acrobat, which allows direct editing of text, images, and other elements within the PDF. Some free tools, like PDFescape or Smallpdf, also offer basic editing capabilities.

**How do I convert a Mimaki Jv3 Manual PDF to another file format?** There are multiple ways to convert a PDF to another format: Use online converters like Smallpdf, Zamzar, or Adobe Acrobats export feature to convert PDFs to formats like Word, Excel, JPEG, etc. Software like Adobe Acrobat, Microsoft Word, or other PDF editors may have options to export or save PDFs in different formats.

**How do I password-protect a Mimaki Jv3 Manual PDF?** Most PDF editing software allows you to add password protection. In Adobe Acrobat, for instance, you can go to "File" -> "Properties" -> "Security" to set a password to restrict access or editing capabilities. Are there any free alternatives to Adobe Acrobat for working with PDFs? Yes, there are many free alternatives for working with PDFs, such as: LibreOffice: Offers PDF editing features. PDFsam: Allows splitting, merging, and editing PDFs. Foxit Reader: Provides basic PDF viewing and editing capabilities. How do I compress a PDF file?

You can use online tools like Smallpdf, ILovePDF, or desktop software like Adobe Acrobat to compress PDF files without significant quality loss. Compression reduces the file size, making it easier to share and download. Can I fill out forms in a PDF file? Yes, most PDF viewers/editors like Adobe Acrobat, Preview (on Mac), or various online tools allow you to fill out forms in PDF files by selecting text fields and entering information. Are there any restrictions when working with PDFs? Some PDFs might have restrictions set by their creator, such as password protection, editing restrictions, or print restrictions. Breaking these restrictions might require specific software or tools, which may or may not be legal depending on the circumstances and local laws.

### **Find Mimaki Jv3 Manual :**

**lincoln welder ac 225 manual**

[linhai atv 300 parts manual](#)

**limpopo doe june 2014 mathematics paper 2 memo**

[limiting reagent question and answer key](#)

[limpopo grade 11 agric p2 scope 2014](#)

[linhai 40utv service manual](#)

[limiting reagent practice 2 answers](#)

[lincoln parts user manual manual](#)

*limpopo grade 11 final exam memo 2014*

~~limpopo mathematics november 2013 memorandum grade 11~~

**lillian spengane 2015 students**

**limpossible seacuteparation entre les jeunes adultes et leurs parents**

*lined paper printable final draft*

**linear algebra with applications holt solution manual**

*limpopo grade 12 test 2 2014*

### **Mimaki Jv3 Manual :**

**jungla cósmica libro de colorear para adultos amazon com br** - May 03 2023

web compre online jungla cósmica libro de colorear para adultos de estrada catalina na amazon frete grÁtis em milhares de produtos com o amazon prime encontre diversos livros escritos por estrada catalina com ótimos preços



[pdf jungla cósmica libro de colorear para adultos gratis](#) - Apr 21 2022

web pdf jungla cósmica libro de colorear para adultos gratis epaper read download epaper

**jungla cósmica libro de colorear para adultos** - Feb 17 2022

web jungla cósmica libro de colorear para adultos estrada catalina 14 90 un precioso libro para colorear diseñado e ilustrado en exclusiva por catalina es

*jungla cósmica libro de colorear para adultos* - Jul 25 2022

web un precioso libro para colorear diseñado e ilustrado en exclusiva por catalina estrada una obra elegante y original en la que destaca su característico estilo exuberante y exótico casi todos mis recuerdos nacen en el mismo lugar ese lugar a veces jardín a veces bosque a veces selva y a veces jungla

[jungla cósmica libro de colorear para adultos](#) - Jun 23 2022

web un precioso libro para colorear diseñado e ilustrado en exclusiva por catalina estrada una obra elegante y original en la que destaca su característico estilo exuberante y exótico casi todos mis recuerdos nacen en el mismo lugar ese lugar a veces jardín a veces bosque a veces selva y a veces jungla

*jungla cósmica libro de colorear para adultos todos tus libros* - Oct 28 2022

web adéntrate en un sugerente universo tropical con este libro de colorear de catalina estrada de la mano de la popular ilustradora da vida a una asombrosa variedad de plantas y flores exuberantes elegantes libélulas pájaros exóticos y delicadas mariposas que revolotean por estas páginas

[jungla cósmica libro de colorear para adultos pinterest](#) - May 23 2022

web 25 ago 2017 jungla cósmica libro de colorear para adultos estrada catalina amazon es libros

**amazon es opiniones de clientes jungla cósmica libro de colorear para** - Dec 30 2022

web vea reseñas y calificaciones de reseñas que otros clientes han escrito de jungla cósmica libro de colorear para adultos en amazon com lea reseñas de productos sinceras e imparciales de nuestros usuarios

**jungla cósmica penguin libros** - Apr 02 2023

web jungla cósmica catalina estrada plaza janés agosto 2016 un precioso libro para colorear diseñado e ilustrado en exclusiva por catalina estrada una obra elegante y original en la que destaca su característico estilo exuberante y exótico descripción detalles del producto casi todos mis recuerdos nacen en el mismo lugar

**jungla cósmica libro de colorear para adultos iberlibro com** - Jan 31 2023

web jungla cósmica libro de colorear para adultos de estrada catalina en iberlibro com isbn 10 8401017653 isbn 13 9788401017650 plaza janés 2016 tapa blanda

*amazon com jungla cósmica libro de colorear para adultos* - Jun 04 2023

web amazon com jungla cósmica libro de colorear para adultos 9788401017650 estrada catalina libros

*jungla cósmica libro de colorear para adultos penguin libros - Sep 07 2023*

web jungla cósmica libro de colorear para adultos catalina estrada plaza janÉs mayo 2016 un precioso libro para colorear diseñado e ilustrado en exclusiva por catalina estrada una obra elegante y original en la que destaca su característico estilo exuberante y exótico pertenece a la serie libro de colorear para adultos descripción

**jungla cósmica libro de colorear para adultos obras diversas - Oct 08 2023**

web un precioso libro para colorear diseñado e ilustrado en exclusiva por catalina estrada una obra elegante y original en la que destaca su característico estilo exuberante y exótico casi todos mis recuerdos nacen en el mismo lugar ese lugar a veces jardín a veces bosque a veces selva y a veces jungla

**jungla cósmica libro de colorear para adultos - Mar 21 2022**

web jungla cósmica libro de colorear para adultos estrada catalina 14 90 un precioso libro para colorear diseñado e ilustrado en exclusiva por catalina es

*jungla cósmica libro de colorear para adultos librotea - Mar 01 2023*

web un precioso libro para colorear diseñado e ilustrado en exclusiva por catalina estrada una obra elegante y original en la que destaca su característico estilo exuberante y exótico casi todos mis recuerdos nacen en el

*9788401017650 jungla cósmica libro de colorear para adultos - Aug 26 2022*

web abebooks com jungla cósmica libro de colorear para adultos 9788401017650 by estrada catalina and a great selection of similar new used and collectible books available now at great prices 9788401017650 jungla cósmica libro de colorear para adultos estrada catalina 8401017653 abebooks

**jungla cósmica libro de colorear para adultos paperback - Nov 28 2022**

web jungla cósmica libro de colorear para adultos estrada catalina amazon ae books

**jungla cósmica libro de colorear para adultos - Sep 26 2022**

web jungla cósmica libro de colorear para adultos estrada catalina 14 90 un precioso libro para colorear diseñado e ilustrado en exclusiva por catalina estrada una obra elegante y original en la que destaca su característico estilo exuberante y exótico casi todos mis recuerdos nacen en el mismo lugar

jungla cósmica cuaderno con láminas para colorear obras - Jul 05 2023

web inspírate anota tus ideas y desata tu creatividad con este bonito cuaderno que incorpora ilustraciones para colorear del sugerente universo tropical de catalina estrada a lo largo de estas 192 páginas pautadas encontrarás motivos únicos y láminas a página completa para pintar amante incondicional de la naturaleza

*amazon com jungla cósmica libro de colorear para adultos - Aug 06 2023*

web may 12 2016 amazon com jungla cósmica libro de colorear para adultos 9788401017650 estrada catalina books

[3 billy goats gruff sequencing teacher made twinkl](#) - Jul 10 2023

the three billy goats gruff story revolves around three goats who have eaten all the grass in their field and want to travel to a bigger meadow which is on the other side of a bridge the bridge is home to an unfriendly troll who see more

[results for the three billy goats gruff sequencing tpt](#) - Dec 23 2021

[billy goats gruff sequence events teaching resources tpt](#) - May 28 2022

web the three billy goats gruff sequencing worksheetscut amp paste 1st 6th sequencing matching cut amp paste 1st 6th sequencingcut amp paste first

[sequencing billy goats gruff teaching resources tpt](#) - Jan 04 2023

web feb 22 2018 pdf 8 93 mb this is a collection of display items and activity sheets to go along with the story the three billy goats gruff it includes easy to make big middle

[three billy goats display and activity pack tes](#) - Jul 30 2022

web use these activity cards to help your students understand sequencing print cut and laminate these activity cards students are required to put the steps for the rhyme 3

**3 billy goats gruff sequencing teacher made twinkl** - Apr 07 2023

web this literature unit presents a sequencing activity about the three billy goats gruff in which students cut apart seven sentences arrange them in order paste them onto an

[472 top three billy goats gruff sequencing teaching twinkl](#) - Aug 31 2022

web activities billy goats gruff story writing frames and aids the three billy goats gruff unlimited premium downloads the three billy goats gruff story map activity

[the three billy goats gruff story sequencing 4 per](#) - Mar 06 2023

web use this story sequencing worksheet to encourage children to retell the story of the three billy goats gruff perfect for use during a story topic to encourage children to retell the

**3 billy goats gruff sequencing activity cards teach starter** - Feb 22 2022

**the three billy goats gruff a4 sequencing cards twinkl** - Jun 09 2023

web three billy goats gruff enrich your teaching with this fantastic range of the three billy goats gruff activities games and worksheets with a range of resources available

[the three billy goats gruff story sequencing worksheet twinkl](#) - Oct 01 2022

web three billy goats gruff sequencing get writing going with your own three billy goats gruff sequencing and writing worksheets kids can write their own version of the

[the three billy goats gruff a4 sequencing cards twinkl](#) - Sep 12 2023

these billy goats gruff sequencing cards are ideal to use in your classroom to help children recognise recall and retell the traditional tale individually or as a whole class encourage children see more

**the three billy goats gruff activities and worksheets** - Feb 05 2023

web explore more than 472 three billy goats gruff sequencing resources for teachers parents and pupils help instantly access twinkl s printable and digital k 12 teaching

[three billy goats gruff sequencing worksheet education com](#) - Apr 26 2022

web sep 4 2022 the three billy goat s gruff is the perfect story for practicing this skill since it has a very clear sequence students can easily identify the first second and third things

**the three billy goats gruff unit for kindergarten** - Nov 21 2021

*3 billy goats gruff retelling activity cards teach starter* - Jan 24 2022

**the three billy goats gruff story sequencing** - May 08 2023

web the three billy goats gruff sequencing worksheetscut paste 1st 6th sequencing matching cut paste 1st 6th sequencingcut paste first sixth sequencing

**the three billy goats gruff story map activity twinkl** - Mar 26 2022

**three billy goats gruff teaching resources story** - Aug 11 2023

simply download and print off these billy goats gruff sequencing cards and receive over 20 different hand drawn illustrations which showcase each scenario of the story on each sequencing card there is room see more

**three billy goats gruff story sequencing cards twinkl** - Oct 21 2021

**the three billy goats gruff sequencing activities tpt** - Jun 28 2022

web teach your students about retelling with this set of sequencing cards for 3 billy goats gruff fairy tale retellings 3 billy goats gruff fairy tales have long been cherished

**the three billy goats gruff story sequencing 4 per** - Nov 02 2022

web this fun resource includes a total of 6 crafts for the little red hen jack and the beanstalk and the three billy goats gruff

each with optional writing activities that are sure to

[3 billy goats gruff sequencing worksheets teaching](#) - Dec 03 2022

web this literature unit presents a sequencing activity about the three billy goats gruff in which students cut apart seven sentences arrange them in order paste them onto an

**la cocina del futuro cocina ciencia y salud castells pere libro en** - Nov 07 2022

web adentrémonos pues en este futuro de la cocina conozcamos en qué ámbitos adoptaremos nuevas costumbres social y culturalmente qué comeremos qué calidad acompañará a nuestros alimentos cuáles serán las técnicas para cocinarlos y en definitiva como la cocina es una herramienta enlazada a múltiples áreas que

**la cocina del futuro cocina ciencia y salud actua** - Jan 29 2022

web la cocina del futuro cocina ciencia y salud actua zamarkanda la novela sep 18 2020 en ésta obra se cuenta la historia de un rico hacendado ganadero y cultor de café quien aprovechando el cariño que le tenía la gente del

**la cocina del futuro cocina ciencia y salud actualidad by pere** - Dec 28 2021

web del futuro muyinteresante es la cocina del futuro cocina ciencia y salud actualidad la cocina del futuro cocina ciencia y salud agapea la cocina del futuro tiene forma de nube bbc mundo la nueva era de los utensilios de cocina digitales bbc la nueva cocina científica investigación y ciencia la casa del futuro cocina espejos y pantallas

*la cocina del futuro cocina ciencia y salud* - Aug 16 2023

web oct 26 2017 la cocina del futuro cocina ciencia y salud actualidad spanish edition castells pere adrià ferran roca joan hockaday tom rubiralta màrius on amazon com free shipping on qualifying offers

[la cocina del futuro cocina ciencia y salud](#) - Oct 06 2022

web la cocina del futuro cocina ciencia y salud actualidad spanish edition castells pere isbn 9788491177524 kostenloser versand für alle bücher mit versand und verkauf duch amazon

[la cocina del futuro cocina ciencia y salud buscalibre](#) - Aug 04 2022

web libro la cocina del futuro cocina ciencia y salud pere castells isbn 9789563244274 comprar en buscalibre ver opiniones y comentarios compra y venta de libros importados novedades y bestsellers en tu librería online buscalibre chile y buscalibros compra libros sin iva en buscalibre

**los alimentos del futuro qué comeremos en 2050 bbc** - Jul 15 2023

web jun 1 2022 1 junio 2022 getty images tan solo tres cultivos son el alimento básico para más de cuatro mil millones de personas desayunar una falsa banana o merendar una fruta del árbol pandano

**cocina futuro somos cultura gastronómica** - May 01 2022

web apr 11 2018 cocina futuro somos cultura gastronómica alaskaseafood share utilizamos cookies propias y de terceros

para mejorar la experiencia de navegación entendemos que aceptas el uso de las mismas al continuar navegando por nuestra web cerrar y aceptar leer más menu en 20 minutos actualidad

**cómo será la cocina del futuro cocina fácil** - Mar 31 2022

web may 11 2018 cómo funciona la cocina del futuro para empezar la cocina cada vez será más compacta ya que te ahorrarás muebles y algunos aparatos electrodomésticos como el refrigerador y la estufa ya que estos estarán incluidos en la mesa o estantería que la empresa creó

la cocina del futuro cocina ciencia y salud goodreads - May 13 2023

web la cocina del futuro ya es una realidad la gastronomía se transforma para adaptarse a nuestra la cocina del futuro cocina ciencia y salud by pere castells goodreads

**la cocina del futuro cocina ciencia y salud actua crm gte travel** - Feb 27 2022

web la cocina del futuro cocina ciencia y salud actua 5 5 de mi padre al que le gustaba mucho desayunar de cuchillo y tenedor como él llamaba a los desayunos deliciosamente plebeyos que iban más allá de la leche las tostadas la mermelada para mí es una fiesta recuperar la iniciativa en la cocina pactar conmigo misma el placer

la cocina del futuro cocina ciencia y salud actua pdf - Jul 03 2022

web mar 17 2023 en la formación del profesorado y en la enseñanza de las ciencias con aportes y sugerencias concretas para el trabajo de aula en las asignaturas de física química y biología se incluyen algunas

cómo serán las cocinas del futuro la future cook apunta hacia el - Dec 08 2022

web jul 11 2012 bajo el concepto la comida en 2025 nace la mencionada future cook como parte de un proyecto de diseño industrial llevado a cabo por la metu middle east technical university situada en turquía con el objetivo de investigar el futuro de la plantación la preparación y la conservación de la comida echadle un vistazo al

la cocina del futuro cocina ciencia y salud - Feb 10 2023

web la cocina del futuro cocina ciencia y salud ebook castells pere rubiralta màrius adrià ferran roca joan hockaday tom amazon es tienda kindle

**libro la cocina del futuro cocina ciencia y salud** - Jun 02 2022

web descargar ahora libro la cocina del futuro cocina ciencia y salud actualidad spanish edition por pere castells julio 2023 libros educación

*la cocina del futuro un libro que une la ciencia y la salud* - Apr 12 2023

web mar 7 2016 la unión de cocina ciencia y salud ha dado lugar a la formación de un clúster culinario muy importante con un selecto grupo de restauradores reconocidos internacionalmente materias primas sanas y de calidad

cómo será la cocina del futuro internacional el universo - Sep 05 2022

web dec 2 2013 la cocina del futuro será una amiga interactiva lo ayudará a cocinar a comprar ingredientes y a comer con niveles óptimos de higiene y eficiencia

**9788491172031 la cocina del futuro cocina ciencia y salud** - Jan 09 2023

web abebooks com la cocina del futuro cocina ciencia y salud actualidad spanish edition 9788491172031 by castells pere and a great selection of similar new used and collectible books available now at great prices

*pdf la cocina del futuro cocina ciencia y salud actua* - Mar 11 2023

web la cocina del futuro cocina ciencia y salud actua la ciencia en la cocina de 1700 a nuestros días apr 23 2023 juntas y revueltas la ciencia y la cocina han sostenido fructíferas relaciones desde tiempos lejanos así ya en el siglo xix respetables científicos impartían cursos de cocina publicaban manuales sobre las reacciones de los

**la cocina del futuro cocina ciencia y salud actualidad spanish** - Jun 14 2023

web la cocina del futuro cocina ciencia y salud actualidad spanish edition castells pere amazon com mx libros libros