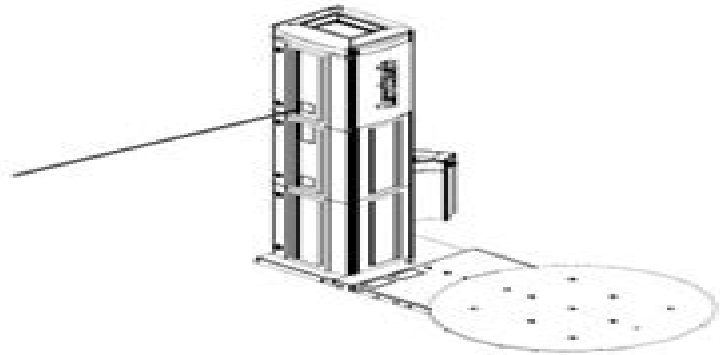


MACHINE IDENTIFICATION

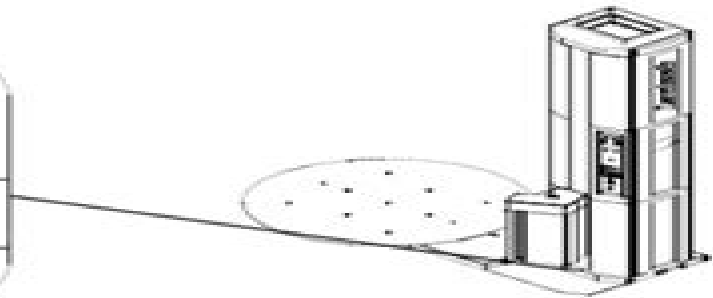
Each Lantech Inc. Stretch Wrap Machine is identified with a serial number plate and decal. The plate is located at the base of the upright. The decal is located on the panel door.

If service should become necessary, you will need the information found on the serial number decal.

Lantech INC.		
11000 Bluegrass Pkwy, Louisville, Kentucky, 40299		
SERIAL NUMBER	MODEL	
<input type="text"/>	<input type="text"/>	
VOLTAGE	AMPS	HERTZ
<input type="text"/>	<input type="text"/>	<input type="text"/>
LARGEST MOTOR	ELECTRICAL SCHEMATIC	
<input type="text"/>	<input type="text"/>	
TELEPHONE 800-866-0322		



Lantech INC.	
11000 Bluegrass Pkwy, Louisville, Kentucky, 40299	
QM00XXX	
TELEPHONE (800) 866-0322	



Distributor: Write in the local Lantech distributor name and contact information here:

Distributor Name:	_____
Distributor Address:	_____

Distributor Phone:	_____
Distributor Contact:	_____

Lantech 300 Manual

DP Hallahan



Lantech 300 Manual:

Moody's International Manual ,2000 *May 2022 - Surplus Record Machinery & Equipment Directory* Surplus Record,2022-05-01 SURPLUS RECORD is the leading independent business directory of new and used capital equipment machine tools machinery and industrial equipment listing over 95 000 industrial assets including metalworking and fabricating machine tools chemical and process equipment cranes air compressors pumps motors circuit breakers generators transformers turbines and more Over 1 100 businesses list with the SURPLUS RECORD May 2022 issue Vol 99 No 5

Good Packaging ,1995 *Production Engineering* ,1986 June 2022 - Surplus Record Machinery & Equipment Directory Surplus Record,2022-06-01 SURPLUS RECORD is the leading independent business directory of new and used capital equipment machine tools machinery and industrial equipment listing over 95 000 industrial assets including metalworking and fabricating machine tools chemical and process equipment cranes air compressors pumps motors circuit breakers generators transformers turbines and more Over 1 100 businesses list with the SURPLUS RECORD June 2022 issue Vol 99 No 6 *Materials Handling News* ,1999

InfoWorld ,1983-09-19 InfoWorld is targeted to Senior IT professionals Content is segmented into Channels and Topic Centers InfoWorld also celebrates people companies and projects January 2023 - Surplus Record Machinery & Equipment Directory Thomas C. Scanlan,2023-01-01 SURPLUS RECORD is the leading independent business directory of new and used capital equipment machine tools machinery and industrial equipment listing over 110 000 industrial assets including metalworking and fabricating machine tools chemical and process equipment cranes air compressors pumps motors circuit breakers generators transformers turbines and more Over 1 100 businesses list with the SURPLUS RECORD March 2022 issue Vol 100 No 1 *InfoWorld* ,1983-09-12 InfoWorld is targeted to Senior IT professionals Content is segmented into Channels and Topic Centers InfoWorld also celebrates people companies and projects

Twin Plant News ,2005 **August 2022 - Surplus Record Machinery & Equipment Directory** Surplus Record,2022-08-01 SURPLUS RECORD is the leading independent business directory of new and used capital equipment machine tools machinery and industrial equipment listing over 95 000 industrial assets including metalworking and fabricating machine tools chemical and process equipment cranes air compressors pumps motors circuit breakers generators transformers turbines and more Over 1 100 businesses list with the SURPLUS RECORD August 2022 issue Vol 99 No 8

InfoWorld ,1983-07-25 InfoWorld is targeted to Senior IT professionals Content is segmented into Channels and Topic Centers InfoWorld also celebrates people companies and projects **Practical Computing** ,1984 Mini-micro Systems ,1984 Chilton's Food Engineering ,1992-07 *October 2023 - Surplus Record Machinery & Equipment Directory* Tom Scanlan, SURPLUS RECORD is the leading independent business directory of new and used capital equipment machine tools machinery and industrial equipment listing over 110 000 industrial assets since 1924 including metalworking and fabricating machine tools lathes cnc equipment machine centers woodworking equipment food equipment chemical and process

equipment cranes air compressors pumps motors circuit breakers generators transformers turbines and more Over 1 100
businesses list with the SURPLUS RECORD October 2023 issue Vol 100 No 10 **Packaging** ,1993 **InfoWorld**
,1983-08-15 InfoWorld is targeted to Senior IT professionals Content is segmented into Channels and Topic Centers
InfoWorld also celebrates people companies and projects January 2022 - Surplus Record Machinery & Equipment
Directory Surplus Record,2022-01-01 SURPLUS RECORD is the leading independent business directory of new and used
capital equipment machine tools machinery and industrial equipment listing over 95 000 industrial assets including
metalworking and fabricating machine tools chemical and process equipment cranes air compressors pumps motors circuit
breakers generators transformers turbines and more Over 1 100 businesses list with the SURPLUS RECORD January 2022
issue Vol 99 No 1 Thomas Register of American Manufacturers ,2003 Vols for 1970 71 includes manufacturers catalogs

Lantech 300 Manual Book Review: Unveiling the Magic of Language

In a digital era where connections and knowledge reign supreme, the enchanting power of language has become more apparent than ever. Its power to stir emotions, provoke thought, and instigate transformation is really remarkable. This extraordinary book, aptly titled "**Lantech 300 Manual**," compiled by a very acclaimed author, immerses readers in a captivating exploration of the significance of language and its profound effect on our existence. Throughout this critique, we shall delve into the book's central themes, evaluate its unique writing style, and assess its overall influence on its readership.

<https://www.splashdogs.com/data/Resources/fetch.php/introduction%20to%20fluid%20mechanics%206th%20edition%20solution%20manual.pdf>

Table of Contents Lantech 300 Manual

1. Understanding the eBook Lantech 300 Manual
 - The Rise of Digital Reading Lantech 300 Manual
 - Advantages of eBooks Over Traditional Books
2. Identifying Lantech 300 Manual
 - Exploring Different Genres
 - Considering Fiction vs. Non-Fiction
 - Determining Your Reading Goals
3. Choosing the Right eBook Platform
 - Popular eBook Platforms
 - Features to Look for in an Lantech 300 Manual
 - User-Friendly Interface
4. Exploring eBook Recommendations from Lantech 300 Manual
 - Personalized Recommendations
 - Lantech 300 Manual User Reviews and Ratings
 - Lantech 300 Manual and Bestseller Lists

5. Accessing Lantech 300 Manual Free and Paid eBooks
 - Lantech 300 Manual Public Domain eBooks
 - Lantech 300 Manual eBook Subscription Services
 - Lantech 300 Manual Budget-Friendly Options
6. Navigating Lantech 300 Manual eBook Formats
 - ePub, PDF, MOBI, and More
 - Lantech 300 Manual Compatibility with Devices
 - Lantech 300 Manual Enhanced eBook Features
7. Enhancing Your Reading Experience
 - Adjustable Fonts and Text Sizes of Lantech 300 Manual
 - Highlighting and Note-Taking Lantech 300 Manual
 - Interactive Elements Lantech 300 Manual
8. Staying Engaged with Lantech 300 Manual
 - Joining Online Reading Communities
 - Participating in Virtual Book Clubs
 - Following Authors and Publishers Lantech 300 Manual
9. Balancing eBooks and Physical Books Lantech 300 Manual
 - Benefits of a Digital Library
 - Creating a Diverse Reading Collection Lantech 300 Manual
10. Overcoming Reading Challenges
 - Dealing with Digital Eye Strain
 - Minimizing Distractions
 - Managing Screen Time
11. Cultivating a Reading Routine Lantech 300 Manual
 - Setting Reading Goals Lantech 300 Manual
 - Carving Out Dedicated Reading Time
12. Sourcing Reliable Information of Lantech 300 Manual
 - Fact-Checking eBook Content of Lantech 300 Manual
 - Distinguishing Credible Sources
13. Promoting Lifelong Learning

- Utilizing eBooks for Skill Development
 - Exploring Educational eBooks
14. Embracing eBook Trends
- Integration of Multimedia Elements
 - Interactive and Gamified eBooks

Lantech 300 Manual Introduction

Lantech 300 Manual Offers over 60,000 free eBooks, including many classics that are in the public domain. Open Library: Provides access to over 1 million free eBooks, including classic literature and contemporary works. Lantech 300 Manual Offers a vast collection of books, some of which are available for free as PDF downloads, particularly older books in the public domain. Lantech 300 Manual : This website hosts a vast collection of scientific articles, books, and textbooks. While it operates in a legal gray area due to copyright issues, its a popular resource for finding various publications. Internet Archive for Lantech 300 Manual : Has an extensive collection of digital content, including books, articles, videos, and more. It has a massive library of free downloadable books. Free-eBooks Lantech 300 Manual Offers a diverse range of free eBooks across various genres. Lantech 300 Manual Focuses mainly on educational books, textbooks, and business books. It offers free PDF downloads for educational purposes. Lantech 300 Manual Provides a large selection of free eBooks in different genres, which are available for download in various formats, including PDF. Finding specific Lantech 300 Manual, especially related to Lantech 300 Manual, might be challenging as theyre often artistic creations rather than practical blueprints. However, you can explore the following steps to search for or create your own Online Searches: Look for websites, forums, or blogs dedicated to Lantech 300 Manual, Sometimes enthusiasts share their designs or concepts in PDF format. Books and Magazines Some Lantech 300 Manual books or magazines might include. Look for these in online stores or libraries. Remember that while Lantech 300 Manual, sharing copyrighted material without permission is not legal. Always ensure youre either creating your own or obtaining them from legitimate sources that allow sharing and downloading. Library Check if your local library offers eBook lending services. Many libraries have digital catalogs where you can borrow Lantech 300 Manual eBooks for free, including popular titles. Online Retailers: Websites like Amazon, Google Books, or Apple Books often sell eBooks. Sometimes, authors or publishers offer promotions or free periods for certain books. Authors Website Occasionally, authors provide excerpts or short stories for free on their websites. While this might not be the Lantech 300 Manual full book , it can give you a taste of the authors writing style. Subscription Services Platforms like Kindle Unlimited or Scribd offer subscription-based access to a wide range of Lantech 300 Manual eBooks, including some popular titles.

FAQs About Lantech 300 Manual Books

How do I know which eBook platform is the best for me? Finding the best eBook platform depends on your reading preferences and device compatibility. Research different platforms, read user reviews, and explore their features before making a choice. Are free eBooks of good quality? Yes, many reputable platforms offer high-quality free eBooks, including classics and public domain works. However, make sure to verify the source to ensure the eBook credibility. Can I read eBooks without an eReader? Absolutely! Most eBook platforms offer web-based readers or mobile apps that allow you to read eBooks on your computer, tablet, or smartphone. How do I avoid digital eye strain while reading eBooks? To prevent digital eye strain, take regular breaks, adjust the font size and background color, and ensure proper lighting while reading eBooks. What the advantage of interactive eBooks? Interactive eBooks incorporate multimedia elements, quizzes, and activities, enhancing the reader engagement and providing a more immersive learning experience. Lantech 300 Manual is one of the best book in our library for free trial. We provide copy of Lantech 300 Manual in digital format, so the resources that you find are reliable. There are also many Ebooks of related with Lantech 300 Manual. Where to download Lantech 300 Manual online for free? Are you looking for Lantech 300 Manual PDF? This is definitely going to save you time and cash in something you should think about.

Find Lantech 300 Manual :

[introduction to fluid mechanics 6th edition solution manual](#)

introduction to us cybersecurity careers

[introductory statistics student solutions manual 6th edition](#)

introduction to chemical engineering solutions manual smith

introduction to materials science for engineers

introduction to information systems 15th edition answers

introduction to optimum design solution

[introduction to computer security goodrich solution manual](#)

introduction to wireless mobile systems solution manual

~~introduction to management accounting horngren solutions manual~~

[introduction to nuclear engineering 3rd edition solutions](#)

~~inverse variation reteach 9 answers~~

[introduction to sociology giddens study guide](#)

introductory statistics 7th solution chapter 9

introduction to social media investigation a hands on approach

Lantech 300 Manual :

complex spreading phenomena in social systems influence - May 12 2023

web this page contains information about complex spreading phenomena in social systems published by springer below you can find the table of contents as well as links to the

complex spreading phenomena in social systems - Aug 15 2023

web about this book this text is about spreading of information and influence in complex networks although previously considered similar and modeled in parallel approaches

complex spreading phenomena in social systems influence - Jun 01 2022

web jun 21 2018 complex spreading phenomena in social systems influence and contagion in real world social networks computational social sciences kindle

complex spreading phenomena in social systems inf - Sep 04 2022

web complex spreading phenomena in social systems inf surface tension and the spreading of liquids feb 06 2021 a mathematical model for predicting fire spread in

complex contagions a decade in review springer - Apr 30 2022

web often explicitly social and thus shaped by the dynamics of social norms the role of complexity in smoking behavior and cessation has been supported by a more recent

complex spreading phenomena in social systems inf - Oct 25 2021

web complex spreading phenomena in social systems inf this is likewise one of the factors by obtaining the soft documents of this complex spreading phenomena in social

complex spreading phenomena in social systems inf - Nov 25 2021

web spreading phenomena in social systems inf as a result simple complex spreading phenomena in social systems sune lehmann 2018 06 21 this text is about

complex spreading phenomena in social systems - Oct 05 2022

web jun 26 2018 complex spreading phenomena in social systems this text is about spreading of information and influence in complex networks although previously

spreading in social systems reflections springerlink - Aug 03 2022

web jun 22 2018 in this final chapter we consider the state of the art for spreading in social systems and discuss the future

of the field as part of this reflection we identify a set of

complex spreading phenomena in social systems goodreads - Dec 27 2021

web jul 29 2018 this text is about spreading of information and influence in complex networks although previous complex spreading phenomena in social systems by

universality criticality and complexity of information nature - Mar 10 2023

web mar 14 2022 complex spreading phenomena in social systems 3 25 2018 romero d m meeder b kleinberg j differences in the mechanics of information diffusion

complex spreading phenomena in social systems influence - Dec 07 2022

web jan 9 2019 buy complex spreading phenomena in social systems influence and contagion in real world social networks computational social sciences on

complex spreading phenomena in social systems influence - Apr 11 2023

web this text is about spreading of information and influence in complex networks although previously considered similar and modeled in parallel approaches there is now

complex spreading phenomena in social systems google books - Feb 09 2023

web this text is about spreading of information and influence in complex networks although previously considered similar and modeled in parallel approaches there is now

complex spreading phenomena in social systems influence - Jun 13 2023

web fingerprint this text is about spreading of information and influence in complex networks although previously considered similar and modeled in parallel approaches there is now

complex spreading phenomena in social systems influence and - Jan 08 2023

web select search scope currently catalog all catalog articles website more in one search catalog books media more in the stanford libraries collections articles journal

complex spreading phenomena in social systems influence - Nov 06 2022

web this text is about spreading of information and influence in complex networks although previously considered similar and modeled in parallel approaches there is now

complex spreading phenomena in social systems influence and - Jan 28 2022

web complex spreading phenomena in social systems influence and contagion in real world social networks computational social sciences by sune lehmann yong yeol

complex spreading phenomena in social systems influence and - Jul 14 2023

web this text is about spreading of information and influence in complex networks although previously considered similar and

modeled in parallel approaches there is now

complex spreading phenomena in social systems overdrive - Feb 26 2022

web this text is about spreading of information and influence in complex networks although previously considered similar and modeled in parallel approaches there is now

complex spreading phenomena in social systems inf - Mar 30 2022

web complex spreading phenomena in social systems inf geographic information systems for the social sciences may 14 2021 geographic information systems for the social

spreading phenomena on complex networks and social systems - Jul 02 2022

web sep 29 2020 spreading phenomena on complex networks and social systems thesis for doctor scientiae physics advisor silvio c ferreira ufv jesús gómez gardeñes

storia di attila flagello di dio introduzione tes pdf - Nov 07 2022

web storia di attila flagello di dio introduzione tes pdf upload mia j ferguson 1 11 downloaded from voto uncal edu br on august 19 2023 by mia j ferguson storia di attila flagello di dio introduzione tes pdf storia di attila flagello di dio introduzione tes pdf thank you very much for reading storia di attila flagello di dio introduzione tes pdf

storia di attila flagello di dio introduzione tes ftp popcake - Aug 04 2022

web storia di attila flagello di dio introduzione tes downloaded from ftp popcake com by guest donna sierra attila flagellum dei lulu com attila l uomo che fece tremare l impero di roma è una figura misteriosa sia per le sue origini che per la morte inaspettata sappiamo quello che storia e tradizione ci hanno tramandato guerriero

storia di attila flagello di dio introduzione tes copy - Feb 27 2022

web storia di attila flagello di dio introduzione tes catalogue of books printed in the xvth century now in the british museum venice jan 08 2020 la storia di attila flagellum dei dec 31 2021 historia della transilvania registrata da f donno may 04 2022 della guerra d attila flagello di dio mar 14 2023 popular european cinema

attila storia del flagello di dio focusjunior it - Jun 02 2022

web jun 7 2021 attila storia del flagello di dio fu uno dei personaggi più brutali della storia e fece tremare tutta europa ecco la vita di attila l unno se passi alla storia come il flagello di dio evidentemente la tua vita non è stata tutta carezze e orsetti coccolosi

storia di attila flagello di dio introduzione tes pdf - Jul 15 2023

web il flagello di dio dec 27 2019 caucaso orientale 411 d c attila non conosce che il proprio popolo gli unni governati dallo zio rua ma ancora non sa che rua intrattiene rapporti con l impero romano d occidente vero responsabile della

storia di attila flagello di dio introduzione tes japanalert - Sep 05 2022

web attila il flagello di dio sinonimo di devastazione di male assoluto di diversità assoluta gli unni guidati da lui sono stati spesso descritti come alieni feroci dotati di poteri demoniaci animati da un unico terrificante desiderio di sterminio e morte
storia di attila flagello di dio introduzione tes pdf uniport edu - Dec 08 2022

web mar 25 2023 storia di attila flagello di dio introduzione tes 1 4 downloaded from uniport edu ng on march 25 2023 by guest storia di attila flagello di dio introduzione tes thank you for reading storia di attila flagello di dio introduzione tes as you may know people have search numerous times for their favorite readings like this storia di

free storia di attila flagello di dio introduzione tes - Feb 10 2023

web maggio d attila detto il flagello di dio mar 17 2022 the history of the ancient germans nov 13 2021 attila il flagello di dio feb 28 2023 caucaso orientale 411 d c attila non conosce che il proprio popolo gli unni governati dallo zio rua ma ancora non sa che rua intrattiene rapporti con l'impero romano d'occidente vero

attila il flagello di dio storie di storia - Dec 28 2021

web feb 5 2014 attila divenne l'ultimo e il più influente re degli unni a partire dal 434 d c fino alla sua morte amministrò un impero di grandi dimensioni che partiva dall'europa centrale fino al mar caspio e dal danubio al baltico mettendo insieme per la prima ed unica volta nella corso della storia buona parte delle popolazioni barbariche

storia di attila flagello di dio introduzione tes pdf japanalert - Mar 11 2023

web storia segrete delle famiglie reali o misteri della vita intima dei borboni di francia di spagna di parma di napoli e della famiglia absburgo lorena d'austria e di toscana storia di attila flagello di dio introduzione tes downloaded from japanalert bananacoding com by guest

storia di attila flagello di dio introduzione tes ftp popcake - Jul 03 2022

web trasformare attila nell'uomo noto come il flagello di dio uno dei sovrani più sanguinari che la storia abbia conosciuto e la cui fama è giunta fino ai nostri giorni

storia di attila flagello di dio introduzione tes 2022 fwhlmail - May 01 2022

web storia di attila flagello di dio introduzione tes 3 3 quell'ambizione a trasformare attila nell'uomo noto come il flagello di dio uno dei sovrani più sanguinari che la storia abbia conosciuto e la cui fama è giunta fino ai nostri giorni descrizione e guida della città di bergamo la case books tanti furono i barbari ed i condottieri che

storia di attila flagello di dio introduzione tes poweredby - Jan 29 2022

web 2 storia di attila flagello di dio introduzione tes 2021 07 27 incapace di difendersi attila conoscerà il solo romano per lui degno di rispetto un giovane di nome flavio ezio ma ciò non gli eviterà in futuro di ambire a nuove conquiste una volta ottenuta la corona unna e tra i suoi obiettivi finiranno proprio i due imperi

storia di attila flagello di dio introduzione tes pdf - Jun 14 2023

web storia di attila flagello di dio introduzione tes tesi di ontologia trinitaria per un rinnovamento della filosofia cristiana jan 22 2022 la divina commedia esposta in prosa dal conte f trissino col testo a riscontro sep 05 2020 due orazioni funebri orr vii viii foerster richtsteig introduzione testo critico traduzione e commento

storia di attila flagello di dio introduzione tes full pdf rc - May 13 2023

web la storia di attila flagellum dei attila flagellum dei pometto in ottava rima riprodotto sulle antiche stampe prefazione di alessandro d ancona storia di attila flagello di dio introduzione tes downloaded from rc spectrallabs com by guest young janelle studj di critica e storia letteraria la case books 1615 47 bibliografia italiana

storia di attila flagello di dio introduzione tes saint possidius - Jan 09 2023

web enjoy now is storia di attila flagello di dio introduzione tes below the grand strategy of the byzantine empire edward luttwak 2009 11 in this book the distinguished writer edward luttwak presents the grand strategy of the eastern roman empire we know as byzantine which lasted more than twice as long as the more familiar western roman

ebook storia di attila flagello di dio academia edu - Oct 06 2022

web ebook storia di attila flagello di dio sismel edizioni del galluzzo introduzione testo latino con traduzione italiana a fronte a cura di elena necchi due celebri leggende quella di attila flagello di dio e quella delle origini della città di venezia si intrecciano in questo romanzo cavalleresco in una summa dei temi

attila il flagello di dio storia rai scuola - Aug 16 2023

web passato alla storia con il soprannome di flagello di dio attila nasce nel 406 d c in asia centrale appartiene ad una popolazione nomade gli unni proveniente dai territori dell attuale cina che nei secoli si era spinta fino alle pianure del danubio raziando e saccheggiando le popolazioni che incontrava sul suo cammino

storia di attila flagello di dio introduzione tes ildar h - Apr 12 2023

web accompanied by guides you could enjoy now is storia di attila flagello di dio introduzione tes below pastoral rule gregory the great 2020 pastoral rule written around 590 a d by pope gregory i outlines the role of the clergy it was immensely influential and byzantine emperor maurice ordered that it be

storia di attila flagello di dio introduzione testo latino con - Mar 31 2022

web documentari attila il cavallo e la spada attila il flagello di dio laidlaw ross newton pton blog di divulgazione di articoli di storia e di arte attila e gli unni libreriamedievale storia di attila flagello di dio ebook di anonimo attila punta il sud tiscali notizie libero 24x7 storia di parodi ligure e dei suoi antichi statuti

amorcitos sub 14 el libro de los chicos enamorados serie azul - Feb 14 2023

web amorcitos sub 14 el libro de los chicos enamorados serie azul bornemann elsa isabel frega muriel amazon es libros

comprar amorcitos sub 14 de elsa bornemann buscalibre - May 05 2022

web amorcitos sub 14 elsa bornemann santillana argentina elsa bornemann santillana argentina 9789870406334
9789870406334 envío a domicilio en todo el mundo comprar libro compra venta de libros nuevos y usados ver opiniones y
comentarios compra y venta de libros importados novedades y bestsellers en tu librería online buscalibre

amorcitos sub 14 de elsa bornemann en librerías gandhi - May 17 2023

web los secretos las declaraciones las rupturas las ausencias alegrías y tristezas compartidas por chicos y chicas sub 14 un
libro ideal para lectores soñadores con textos que expresan los sentimientos y sensaciones de los primeros amorcitos

amorcitos sub 14 el libro iii de los chicos enamorados - Mar 15 2023

web amorcitos sub 14 el libro iii de los chicos enamorados próxima parada alfaguara naranja próxima parada author elsa
isabel bornemann illustrated by muriel frega edition illustrated publisher alfaguara 2003 isbn 9505118554 9789505118557
length 127 pages export citation bibtex endnote refman

amorcitos sub 14 el libro iii de los chicos enamorados - Jan 13 2023

web amorcitos sub 14 el libro iii de los chicos enamorados tapa blanda 1 julio 2003 de elsa bornemann autor muriel frega
ilustrador ver todos los formatos y ediciones

9786070118876 amorcitos sub 14 bornemann elsa - Mar 03 2022

web amorcitos sub 14 encuentre todos los libros de bornemann elsa con terralibro com usted puede comprar libros antiguos
nuevos y usados inmediatamente y pedirlos al

amazon com amorcitos sub 14 spanish edition - Sep 09 2022

web amazon com amorcitos sub 14 spanish edition 9789707704282 elsa bornemann muriel frega libros

amorcitos sub 14 agencia literaria schavelzon graham - Jul 19 2023

web los secretos las declaraciones las rupturas las ausencias alegrías y tristezas compartidas por chicos y chicas sub 14 un
libro ideal para lectores soñadores con textos que expresan los sentimientos y sensaciones de los primeros amorcitos

tapa loqueleo amorcitos sub 14 - Sep 21 2023

web los secretos las declaraciones las rupturas las ausencias alegrías y tristezas compartidas por chicos y chicas sub 14 un
libro ideal para lectores soñadores con textos que expresan los sentimientos de los primeros amorcitos para leer releer y

enamorarse loqueleo santillana com

amorcitos sub 14 serie azul blue amazon es - Apr 16 2023

web amorcitos sub 14 serie azul blue bornemann elsa frega muriel amazon es libros

amorcitos sub 14 el libro iii de los chicos enamorados - Jun 06 2022

web amorcitos sub 14 book read 3 reviews from the world s largest community for readers

amorcitos sub 14 librería libelli - Jul 07 2022

web amorcitos sub 14 es un libro ideal para lectores menores de 14 años con textos que expresan los sentimientos y sensaciones de los primeros amores los poemas piropos y cartas que aquí aparecen hacen de éste un libro para leer y enamorarse otros libros del autor lobo rojo y caperucita feroz bornemann elsa descatalogado

amorcitos sub 14 el libro de los chicos enamorados - Aug 20 2023

web amorcitos sub 14 el libro de los chicos enamorados divided into three parts this book of verses rhymes letters and even electronic messages tells the feelings of joy and sadness that young love provoke authentic spanish text

amorcitos sub 14 el libro de los chicos enamorados - Dec 12 2022

web amorcitos sub 14 el libro de los chicos enamorados pasta blanda 1 octubre 2015 divided into three parts this book of verses rhymes letters and even electronic messages tells the feelings of joy and sadness that young love provoke

descargar amorcitos sub 14 libros gratis en pdf epub - Oct 30 2021

web descargar amorcitos sub 14 libros gratis en pdf epub home ficción amorcitos sub 14 amorcitos sub 14 ficción no hay comentarios elsa bornemann presenta el libro más esperado por sus lectores el libro iii de los chicos enamorados poemas piropos cartas e mails mensajes que vienen y van de un corazón al otro

amorcitos sub 14 by elsa bornemann open library - Aug 08 2022

web imported from amazon com record amorcitos sub 14 by elsa bornemann july 2003 alfaguara edition paperback in spanish español

libro amorcitos sub 14 wp lacalera gob ar - Jan 01 2022

web libro amorcitos sub 14 gadol en busca de la verdad jean paul echegaray 2017 03 02 gadol no le tema a nada ni a nadie pues se deca que era cuidado por dios mismo seguro sabio y valiente enfrentaba la muerte para defender al dbil no importaba donde vea la necesidad l estaba ah para ayudar pero sbitamente su vida tom un rumbo imprevisto lo

amorcitos sub 14 el libro iii de los chicos enamorados - Oct 10 2022

web 1 star 3 9 search review text filters displaying 1 4 of 4 reviews yasuri 22 reviews january 30 2023 3 5 5 es un libro lindo para empezar el mes de febrero unos buenos poemas que llegan al corazón pueden ser lindos tiernos y es una gran poemario para empezar a leer poemas o para empezar a leer a la autora

amorcitos sub 14 elsa bornemann alibrate - Feb 02 2022

web resumen y opiniones descubre reseñas opiniones y más sobre amorcitos sub 14 y todos los libros de elsa bornemann publica tus propios escritos

amorcitos sub 14 klzox8y8qlg documents and e books - Nov 30 2021

web amorcitos sub 14 el libro iii de los chicos enamorados elsa bornemann editorial alfaguara lugar y fecha de edición buenos aires julio de 2003 ilustraciones muriel frega cantidad de páginas 128 serie naranja desde 10 años guía de lectura

para 5º egb enamorados de esta manera aunque los poemas tienen un solo narrador hay dos

amorcitos sub 14 el libro de los chicos enamorados - Nov 11 2022

web amorcitos sub 14 el libro de los chicos enamorados elsa bornemann ilustraciones muriel frega páginas 128 dividido en tres partes este libro compuesto por versos rimas cartas y hasta mensajes electrónicos cuenta los sentimientos de alegría y tristeza que provocan los amores infantiles

amorcitos sub 14 pdf amor poesía scribd - Jun 18 2023

web amorcitos sub 14 el libro iii de los chicos enamorados elsa bornemann editorial alfaguara lugar y fecha de edición buenos aires julio de 2003 ilustraciones muriel frega cantidad de páginas 128 serie naranja desde 10 años guía de lectura para 5º egb 1 la autora elsa bornemann nació en buenos aires es una de las más destacadas escritoras

amorcitos sub 14 iberlibro - Apr 04 2022

web amorcitos sub 14 de bornemann elsa y una gran selección de libros arte y artículos de colección disponible en iberlibro.com